

Driver and Event	
Name	Tom Cockerill
Date	7/6/11
Event	Moto Arena
Weather	N/A
Result	
Track Conditions	
Grip Level	High/Medium
Surface	Half Carpet, Half Tarmac
Track Condition	

Temperature	
Electrics	
E.S.C	Speed Passion GT 2.0 Pro
Servo	Schumacher Test
Receiver	KO
Li-Po	Speed Power 4200
Motor	Speed Passion 5.5
Spur	83
Pinion	22
Internal Ratio	2.6

Wheels - Tyres - Inserts	
Front Wheels	RevLite
Front Inserts	Sch Medium
Front Tyres	Sch Minipin
Rear Wheels	RevLite
Rear Inserts	Sch Medium
Rear Tyres	Sch Minipin

Transmission	
Rear Diff Height	Low
Front Diff Height	Low
Front Layshaft Pulley	
One Way	<input type="checkbox"/> Fixed <input checked="" type="checkbox"/> F.A.B <input type="checkbox"/>
Front Drive	Standard
Front Overdrive	N/A

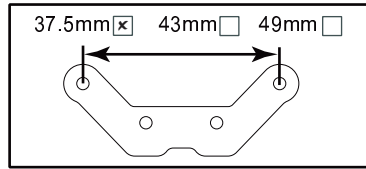
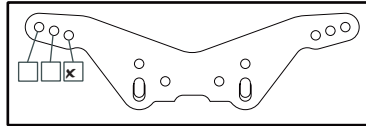
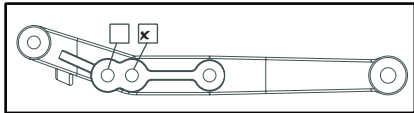
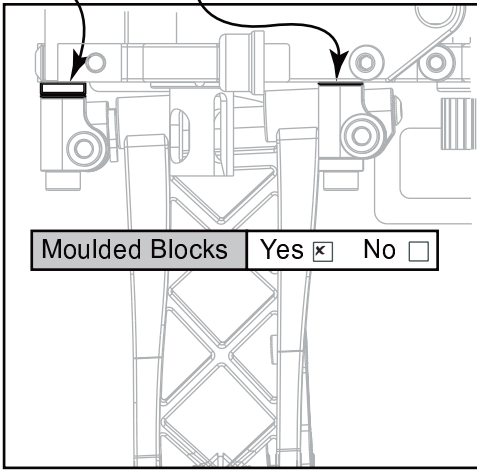
Chassis	
Carbon Fibre	<input checked="" type="checkbox"/> S1 <input type="checkbox"/>

Notes	
Soft Weave Chassis 19mm Ride Height	

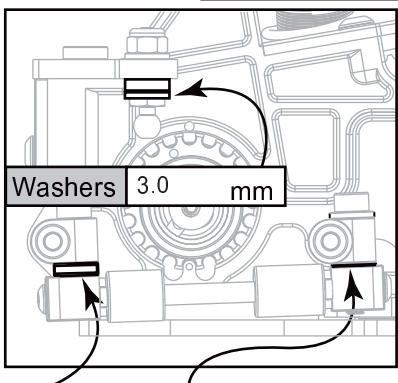
Rear Suspension	
Pivot Pin Height	High <input type="checkbox"/> Low <input checked="" type="checkbox"/>
Wheelbase	Short <input type="checkbox"/> Medium <input type="checkbox"/> Long <input checked="" type="checkbox"/>
Roll Bar	No <input checked="" type="checkbox"/> 1.2 <input type="checkbox"/> 1.4 <input type="checkbox"/> 1.6 <input type="checkbox"/>

Equal Washers = 0° Toe-in  
 0.50 Difference = 0.65° Toe-in  
 1.00 Difference = 1.30° Toe-in  
 1.50 Difference = 1.95° Toe-in  
 2.00 Difference = 2.60° Toe-in  
 2.50 Difference = 3.25° Toe-in  
 3.00 Difference = 3.90° Toe-in

Toe-in / Rear Track Washers						
Rear	0 mm	Front	0 mm	Actual	Std	0



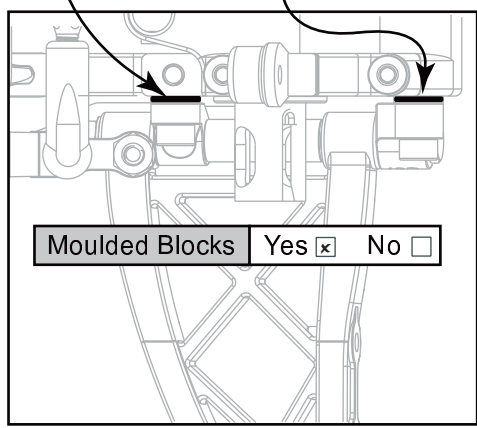
Note: The Anti-Squat Angle is worked out using the Toe-in Chart as the washers produce the same angles.



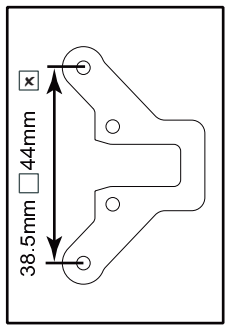
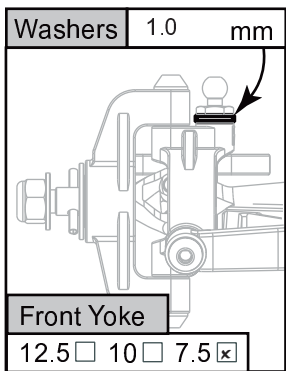
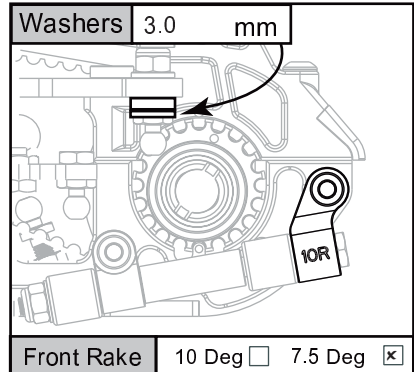
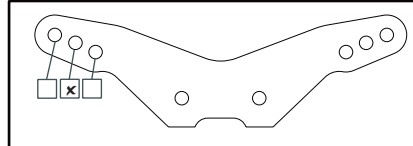
Rear	0 mm	Front	0 mm	Actual	Std	0
Anti-Squat Washers						

### Front Suspension

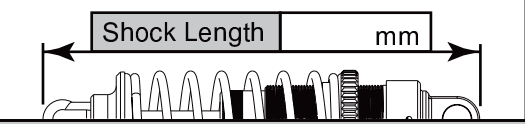
Front Track Washers			
Rear	1 mm	Front	1 mm



Roll Bar	No <input checked="" type="checkbox"/> 1.2 <input type="checkbox"/> 1.4 <input type="checkbox"/> 1.6 <input type="checkbox"/>
----------	---



Rear Shocks			
Oil	32.5	Springs	2.0R
Piston Holes	2 <input type="checkbox"/> 3 <input type="checkbox"/> 4 <input checked="" type="checkbox"/> 5 <input type="checkbox"/> 6 <input type="checkbox"/>		
Diaphragm Spec	Standard		



Front Shocks			
Oil	37.5	Springs	3.5F
Piston Holes	2 <input type="checkbox"/> 3 <input type="checkbox"/> 4 <input checked="" type="checkbox"/> 5 <input type="checkbox"/> 6 <input type="checkbox"/>		
Diaphragm Spec	Standard		

