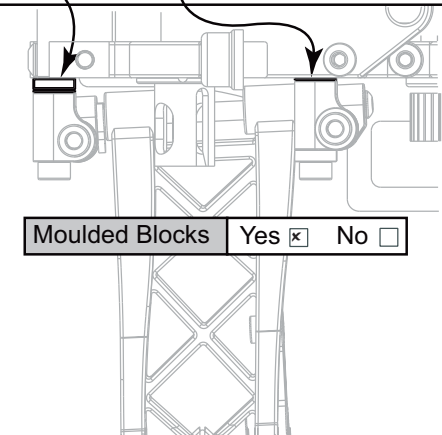
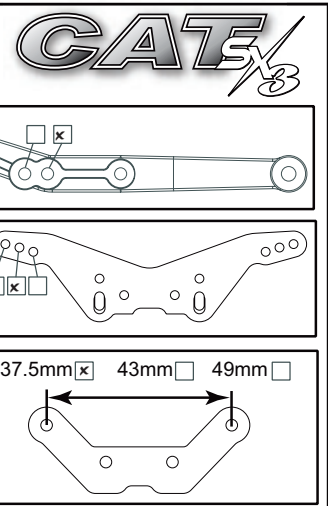


Driver and Event	
Name	Stephen Maizer
Date	11/19/2011
Event	RCHR Grand Prix
Weather	indoor
Result	10th in A main
Track Conditions	
Grip Level	med
Surface	dirt claymix
Track Condition	changing over two days slick to med
Temperature	60 deg
Electrics	
E.S.C	Speed passion
Servo	savox
Reciever	spkectrum
Li-Po	venom 4200ma
Motor	Speed Passion 7.5 mmm
Spur	83
Pinion	18
Internal Ratio	kit stock
Wheels - Tyres - Inserts	
Front Wheels	rev lit
Front Inserts	losi
Front Tyres	losi TP pink
Rear Wheels	rev lits
Rear Inserts	aka soft
Rear Tyres	aka rebar
Transmission	
Rear Diff Height	low
Front Diff Height	low
Front Layshaft Pulley	
One Way	<input type="checkbox"/> Fixed <input checked="" type="checkbox"/> F.A.B <input type="checkbox"/>
Front Drive	kit stock
Front Overdrive	no
Chassis	
Carbon Fibre	<input type="checkbox"/> S1 <input checked="" type="checkbox"/>

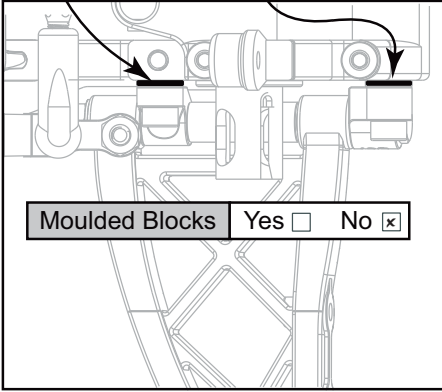
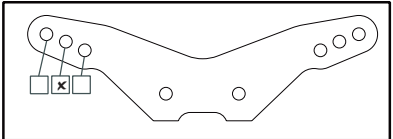
Notes

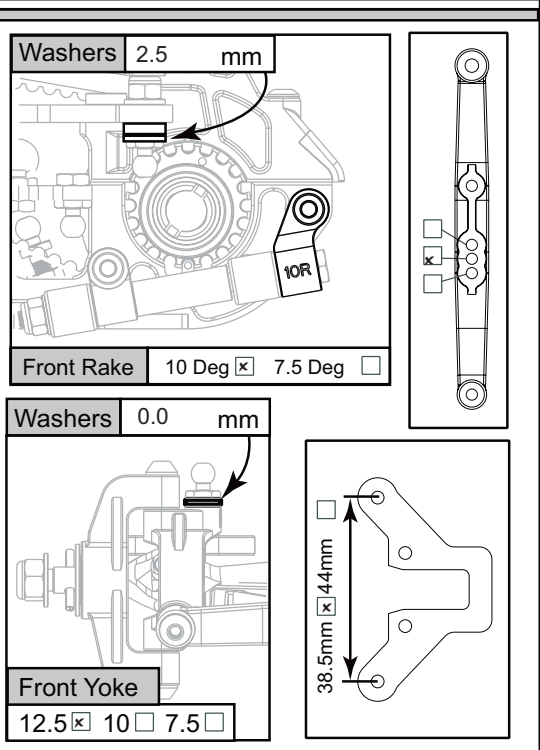
stock rear moulded blocks and steering parts used. belts set loose stock f/r belts. Bando belt center set med to tight.


Rear Suspension					
Pivot Pin Height	High <input type="checkbox"/> Low <input checked="" type="checkbox"/>				
Wheelbase	Short <input type="checkbox"/> Medium <input type="checkbox"/> Long <input checked="" type="checkbox"/>				
Roll Bar	No <input type="checkbox"/> 1.2 <input type="checkbox"/> 1.4 <input type="checkbox"/> 1.6 <input checked="" type="checkbox"/>				
<p>Equal Washers = 0° Toe-in 0.50 Difference = 0.65° Toe-in 1.00 Difference = 1.30° Toe-in 1.50 Difference = 1.95° Toe-in 2.00 Difference = 2.60° Toe-in 2.50 Difference = 3.25° Toe-in 3.00 Difference = 3.90° Toe-in</p>					
Toe-in / Rear Track Washers					
Rear	mm	Front	mm	Actual	0
					
Moulded Blocks Yes <input checked="" type="checkbox"/> No <input type="checkbox"/>					



Note: The Anti-Squat Angle is worked out using the Toe-In Chart as the washers produce the same angles.

Front Suspension			
Front Track Washers			
Rear	1 mm	Front	1 mm
			
Moulded Blocks Yes <input type="checkbox"/> No <input checked="" type="checkbox"/>			
Roll Bar No <input checked="" type="checkbox"/> 1.2 <input type="checkbox"/> 1.4 <input type="checkbox"/> 1.6 <input type="checkbox"/>			
			



Rear Shocks			
Oil	45	Springs	2.0
Piston Holes	2 <input type="checkbox"/> 3 <input type="checkbox"/> 4 <input type="checkbox"/> 5 <input type="checkbox"/> 6 <input checked="" type="checkbox"/>		
Diaphragm Spec	stock		
Shock Length stock mm			
			

Front Shocks			
Oil	45	Springs	4.0
Piston Holes	2 <input type="checkbox"/> 3 <input type="checkbox"/> 4 <input checked="" type="checkbox"/> 5 <input type="checkbox"/> 6 <input type="checkbox"/>		
Diaphragm Spec	stock		
Shock Length stock mm			
