

Driver and Event

Name	Stephen Maizer
Date	9/3/11
Event	Est States Championchips
Weather	sunny 85 deg
Result	9th overall
Track Conditions	
Grip Level	medium
Surface	blue/black groove
Track Condition	
smooth very hard. large jumps	
Temperature	85 to 90
Electrics	
E.S.C	Speed passion pro stock
Servo	savox 1257
Reciever	spektrum
Li-Po	nosram 5000 50 c
Motor	7.5 SP 3.0
Spur	83
Pinion	19
Internal Ratio	2.58:1

Wheels - Tyres - Inserts

Front Wheels	rev lite
Front Inserts	pro line molded
Front Tyres	hole shot m3
Rear Wheels	rev lite
Rear Inserts	pro line molded
Rear Tyres	hole shot m3

Transmission

Rear Diff Height	low
Front Diff Height	low
Front Layshaft Pulley	
One Way	<input checked="" type="checkbox"/> Fixed <input type="checkbox"/> F.A.B <input type="checkbox"/>
Front Drive	stock
Front Overdrive	no

Chassis

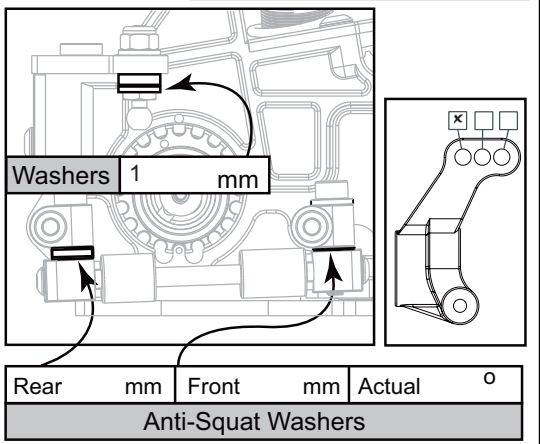
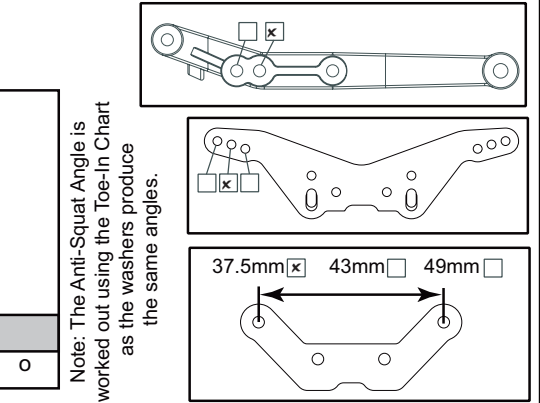
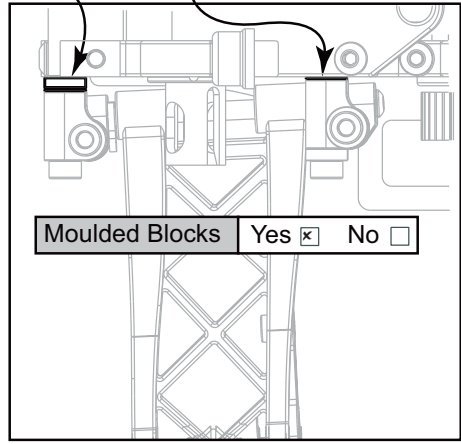
Carbon Fibre	<input type="checkbox"/> S1 <input checked="" type="checkbox"/>
--------------	---

Notes

1 degree camber f/r. 0 degree toe in front. 3 degree tow in rear. 2 degree anti squat. schumacher wing.

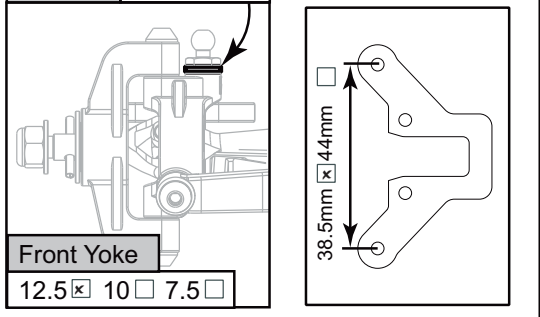
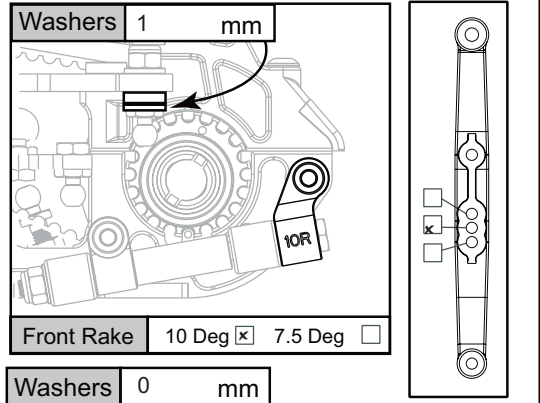
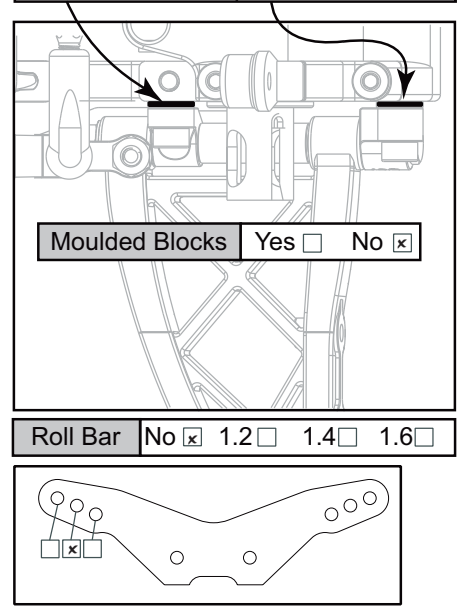
Rear Suspension

Pivot Pin Height	High <input type="checkbox"/> Low <input checked="" type="checkbox"/>
Wheelbase	Short <input type="checkbox"/> Medium <input type="checkbox"/> Long <input checked="" type="checkbox"/>
Roll Bar	No <input type="checkbox"/> 1.2 <input type="checkbox"/> 1.4 <input type="checkbox"/> 1.6 <input checked="" type="checkbox"/>
<p>Equal Washers = 0° Toe-in 0.50 Difference = 0.65° Toe-in 1.00 Difference = 1.30° Toe-in 1.50 Difference = 1.95° Toe-in 2.00 Difference = 2.60° Toe-in 2.50 Difference = 3.25° Toe-in 3.00 Difference = 3.90° Toe-in</p>	
Toe-in / Rear Track Washers	
Rear mm	Front mm Actual °



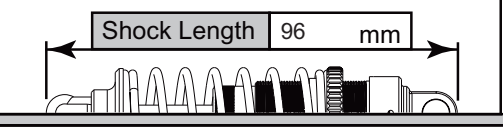
Front Suspension

Front Track Washers	
Rear 1 mm	Front 1 mm



Rear Shocks

Oil	40 sch	Springs	1.6
Piston Holes	2 <input type="checkbox"/> 3 <input type="checkbox"/> 4 <input type="checkbox"/> 5 <input type="checkbox"/> 6 <input checked="" type="checkbox"/>		
Diaphragm Spec	stock		



Front Shocks

Oil	45 sch	Springs	4.0
Piston Holes	2 <input type="checkbox"/> 3 <input type="checkbox"/> 4 <input checked="" type="checkbox"/> 5 <input type="checkbox"/> 6 <input type="checkbox"/>		
Diaphragm Spec	stock		

