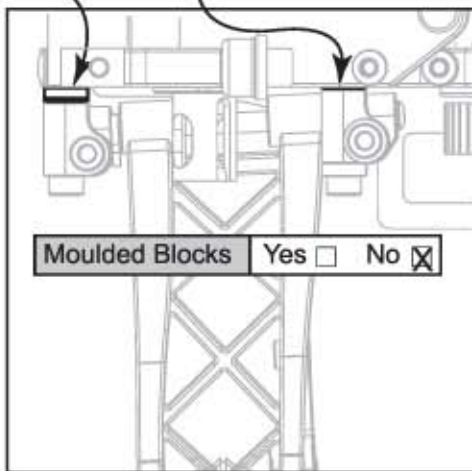


Driver and Event	
Name	SIMON MOSS
Date	
Event	KIDDERMINSTER
Weather	
Result	
Track Conditions	
Grip Level	HIGH
Surface	MULTI-SURFACE
Track Condition	DRY GOOD
Temperature	
Electrics	
E.S.C	
Servo	
Receiver	
Li-Po	
Motor	SPEED PASSION 5.5
Spur	83T
Pinion	24T
Internal Ratio	2.58:1
Wheels - Tyres - Inserts	
Front Wheels	SCHUMACHER
Front Inserts	SCH GREEN
Front Tyres	YELLOW MINISPIKE
Rear Wheels	SCHUMACHER
Rear Inserts	SCH GREEN
Rear Tyres	YELLOW MINISPIKE
Transmission	
Rear Diff Height	LOW
Front Diff Height	LOW
Front Layshaft Pulley	
One Way	<input type="checkbox"/> Fixed <input type="checkbox"/> F.A.B <input checked="" type="checkbox"/>
Front Drive	DIFF
Front Overdrive	NO
Chassis	
Carbon Fibre	<input type="checkbox"/> S1 <input checked="" type="checkbox"/>

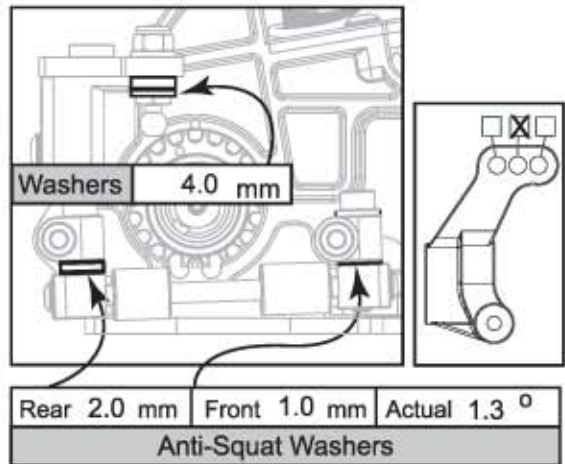
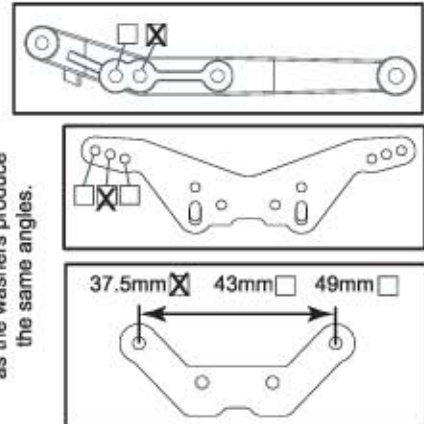
Rear Suspension	
Pivot Pin Height	High <input type="checkbox"/> Low <input checked="" type="checkbox"/>
Wheelbase	Short <input type="checkbox"/> Medium <input checked="" type="checkbox"/> Long <input type="checkbox"/>
Roll Bar	No <input type="checkbox"/> 1.2 <input checked="" type="checkbox"/> 1.4 <input type="checkbox"/> 1.6 <input type="checkbox"/>

Equal Washers = 0° Toe-in  
 0.50 Difference = 0.65° Toe-in  
 1.00 Difference = 1.30° Toe-in  
 1.50 Difference = 1.95° Toe-in  
 2.00 Difference = 2.60° Toe-in  
 2.50 Difference = 3.25° Toe-in  
 3.00 Difference = 3.90° Toe-in

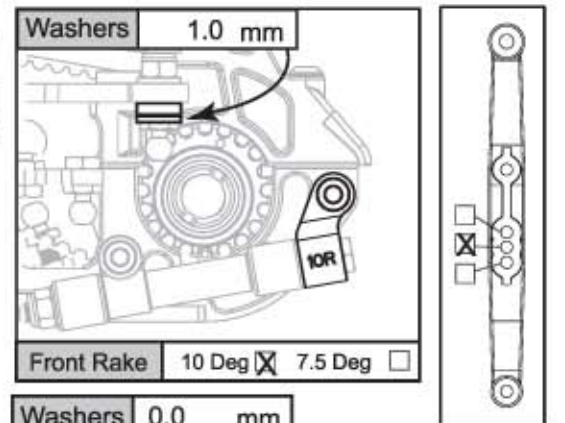
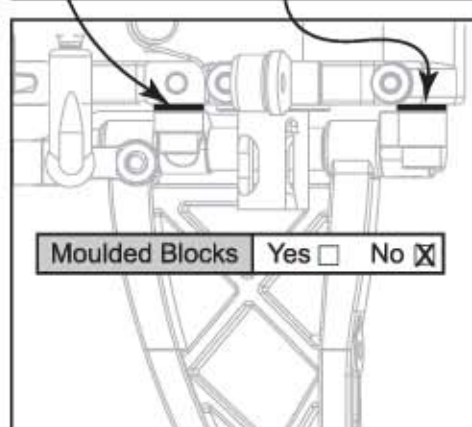
Toe-in / Rear Track Washers		
Rear 3.0 mm	Front 0.5 mm	Actual 3.25 °



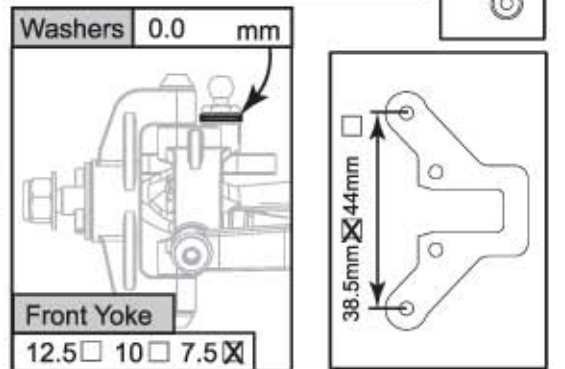
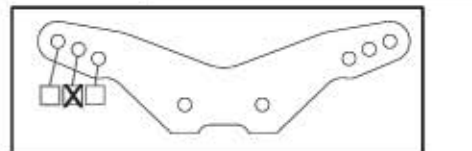
Note: The Anti-Squat Angle is worked out using the Toe-in Chart as the washers produce the same angles.



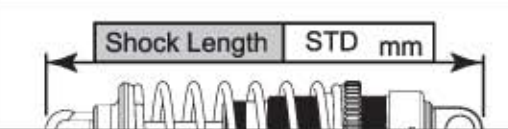
Front Suspension	
Front Track Washers	
Rear 1.0 mm	Front 1.0 mm



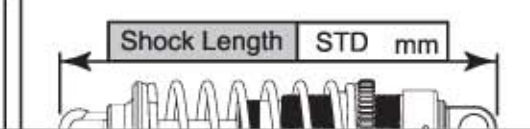
Roll Bar	No <input checked="" type="checkbox"/> 1.2 <input type="checkbox"/> 1.4 <input type="checkbox"/> 1.6 <input type="checkbox"/>
----------	---



Rear Shocks	
Oil	30W
Springs	2.0R
Piston Holes	2 <input type="checkbox"/> 3 <input type="checkbox"/> 4 <input type="checkbox"/> 5 <input checked="" type="checkbox"/> 6 <input type="checkbox"/>
Diaphragm Spec	STD



Front Shocks	
Oil	35W
Springs	3.5F
Piston Holes	2 <input type="checkbox"/> 3 <input type="checkbox"/> 4 <input checked="" type="checkbox"/> 5 <input type="checkbox"/> 6 <input type="checkbox"/>
Diaphragm Spec	STD



Notes	