

CAT K2

Instruction Manual v1.0



Schumacher

Schumacher Racing
71-73 Tenter Road
Moulton Park
Northampton
NN3 6AX
U.K

www.racing-cars.com



S1371

Additional Items Required

Transmitter and Receiver
(Batteries NOT included)



CR151 - CODE FHSS LCD 2.4G 2 Stick 3Ch Tx+Rx
CR153 - CODE Sport 2.4G 2 Stick 3Ch Tx+Rx
CR277 - CODE Steerwheel 2.4G 3Ch Tx+Rx



Servo

E.S.C



Motor

Pinion Gear



Li-Po Battery



CR161 UAC50 Charger 12v/110-240v 6A

Paint



CR522 CORE RC
Pro Tyre Glue + 2 Nozzles

Tyres and Inserts



Soldering Iron
CR266 40w
CR275 80w

U3107 - Solder

G796 Male Connector Plugs (pk 2)

SPW1403
High Current 14AWG Wire

U2818
Schumacher Body Reamer

U4229 Steel Spanner - 5.5mm/3.9mm

CR044 Curved Body Scissors

U2795 M3 Nut Driver
U2796 M4 Nut Driver

U2789 Hex Driver - 1.5mm
U2790 Hex Driver - 2.0mm
U2791 Hex Driver - 2.5mm

CATK2

Schumacher Racing stocks and distributes the following manufacturers products. The full product listings are available on our website: www.racing-cars.com

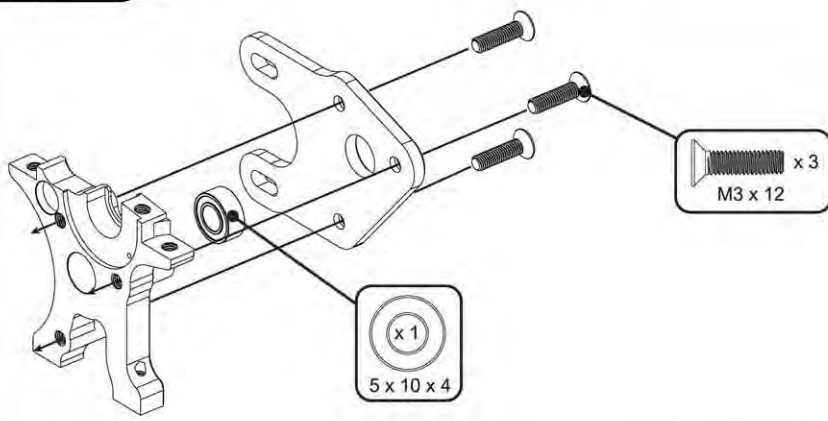
PLEASE NOTE THAT SOME OF THE PRODUCT RANGES BELOW ARE ONLY AVAILABLE IN THE UNITED KINGDOM.



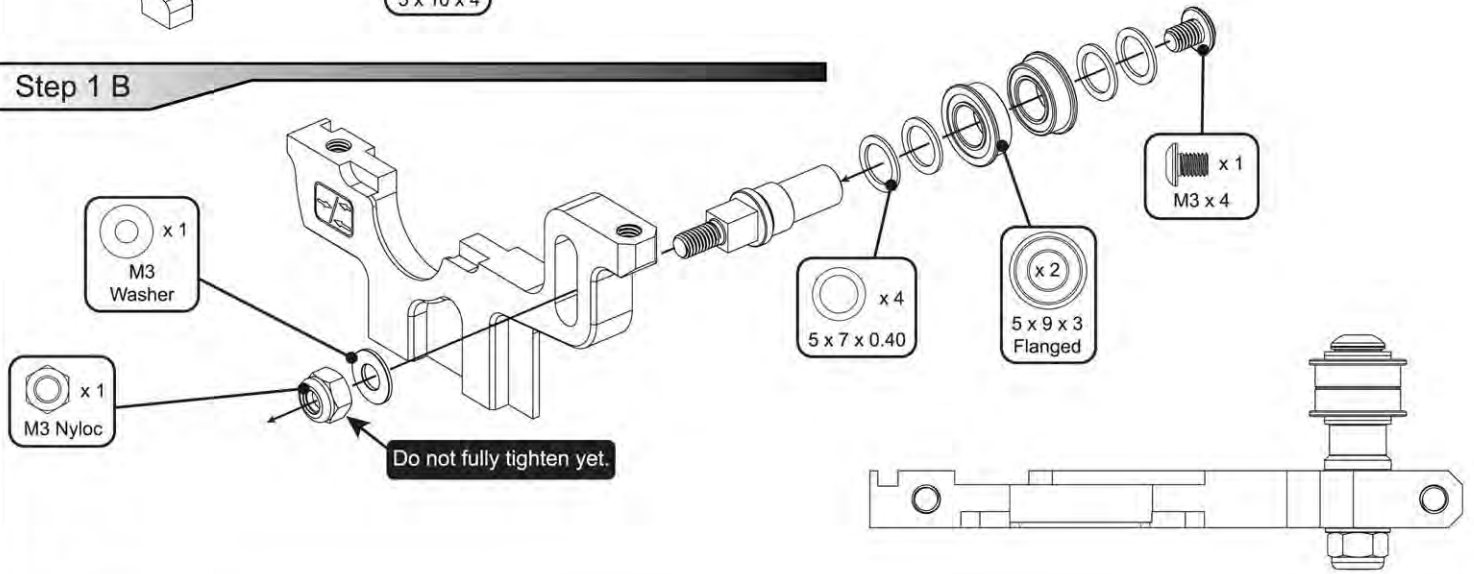
IMPORTANT SAFETY NOTES

- This product is not suitable for children under the age of 14, without the direct supervision of a responsible adult.
- Select an area for assembly that is away from the reach of small children.
- The parts in this kit are small and can be swallowed by children causing choking and possible internal injuries.
- Exercise care when using hand tools and sharp instruments during assembly.
- Carefully read all manufacturers warnings and cautions for any additional items used in the construction.
- In line with our policy of continuous development the exact details of the kit may vary.
- DO NOT use this car on public roads or in places where it can interfere with traffic, people or animals.
- Always check the operation of the radio with the wheels off the ground, before using the car.
- Make sure the radio and car batteries are fully charged before use.
- Disconnect and remove the battery from the car when not in use.
- Always store and charge LiPo batteries in a fireproof container.
- DO NOT put fingers or any objects inside rotating or moving parts as this may cause injury.
- Make sure the charger is correctly set for the type of battery you are using. Incorrect charging may cause a fire.
- Insulate all exposed electrical wiring. Exposed or damaged wires can cause short circuits and fire.
- The motor and speed controller can become hot during use. DO NOT touch them immediately after using your car as this may cause injury.

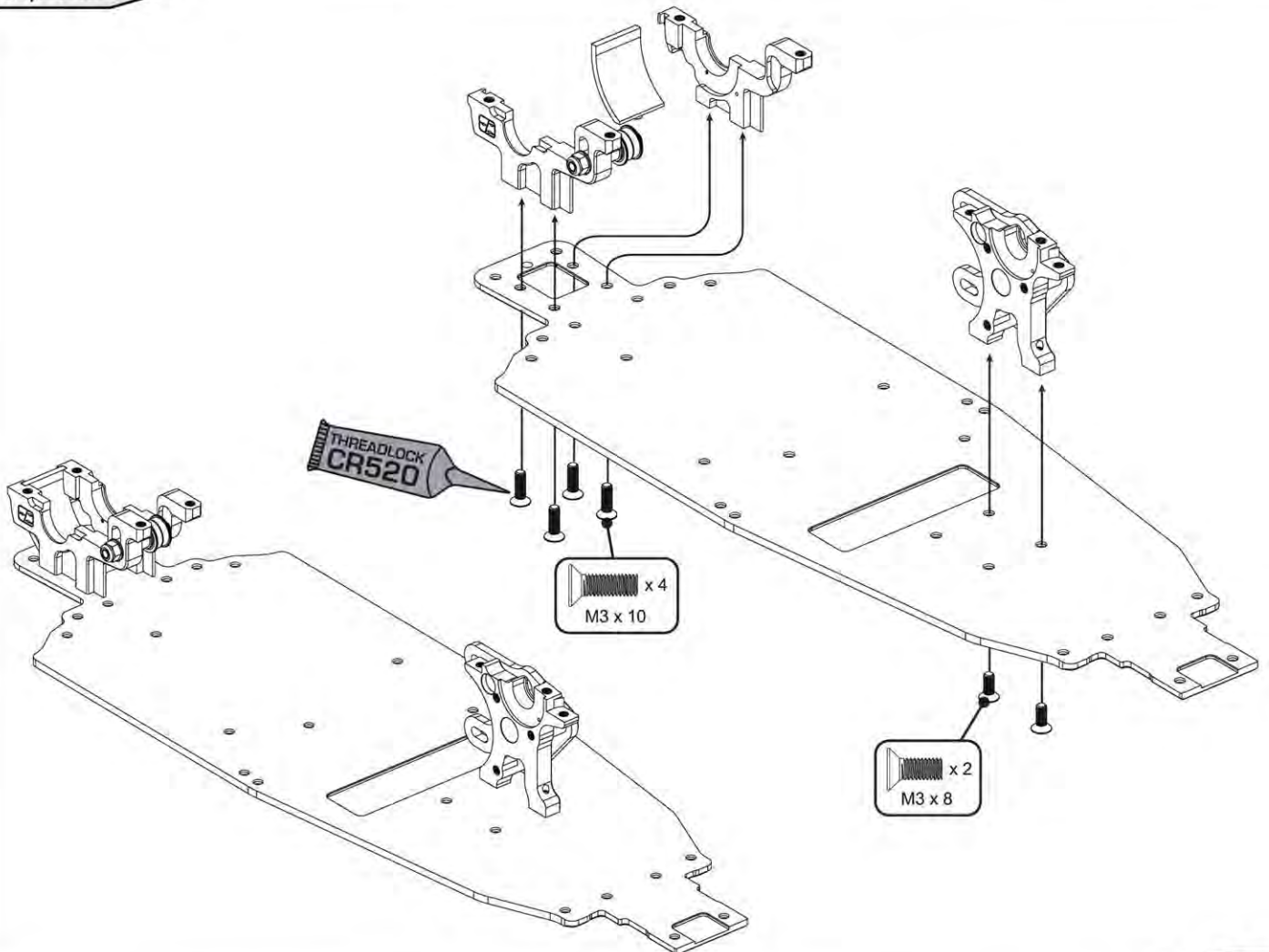
Step 1 A



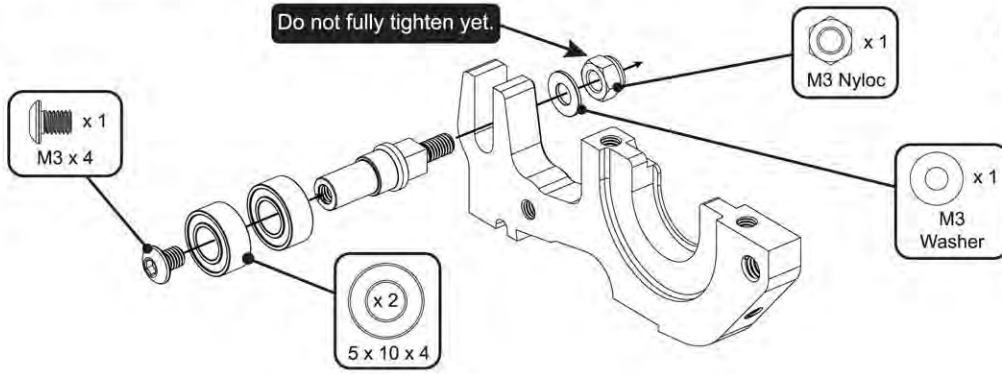
Step 1 B



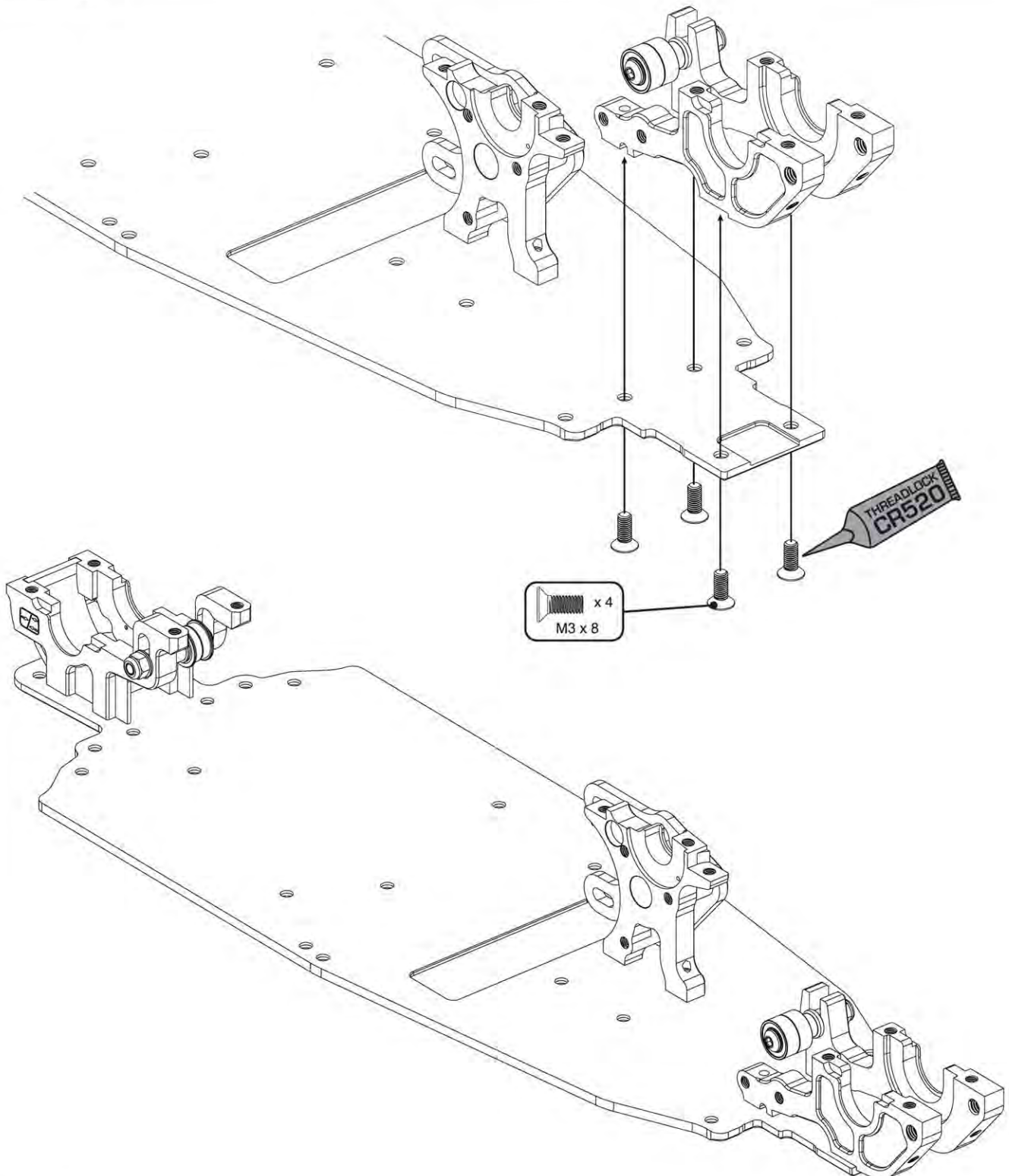
Step 1 C



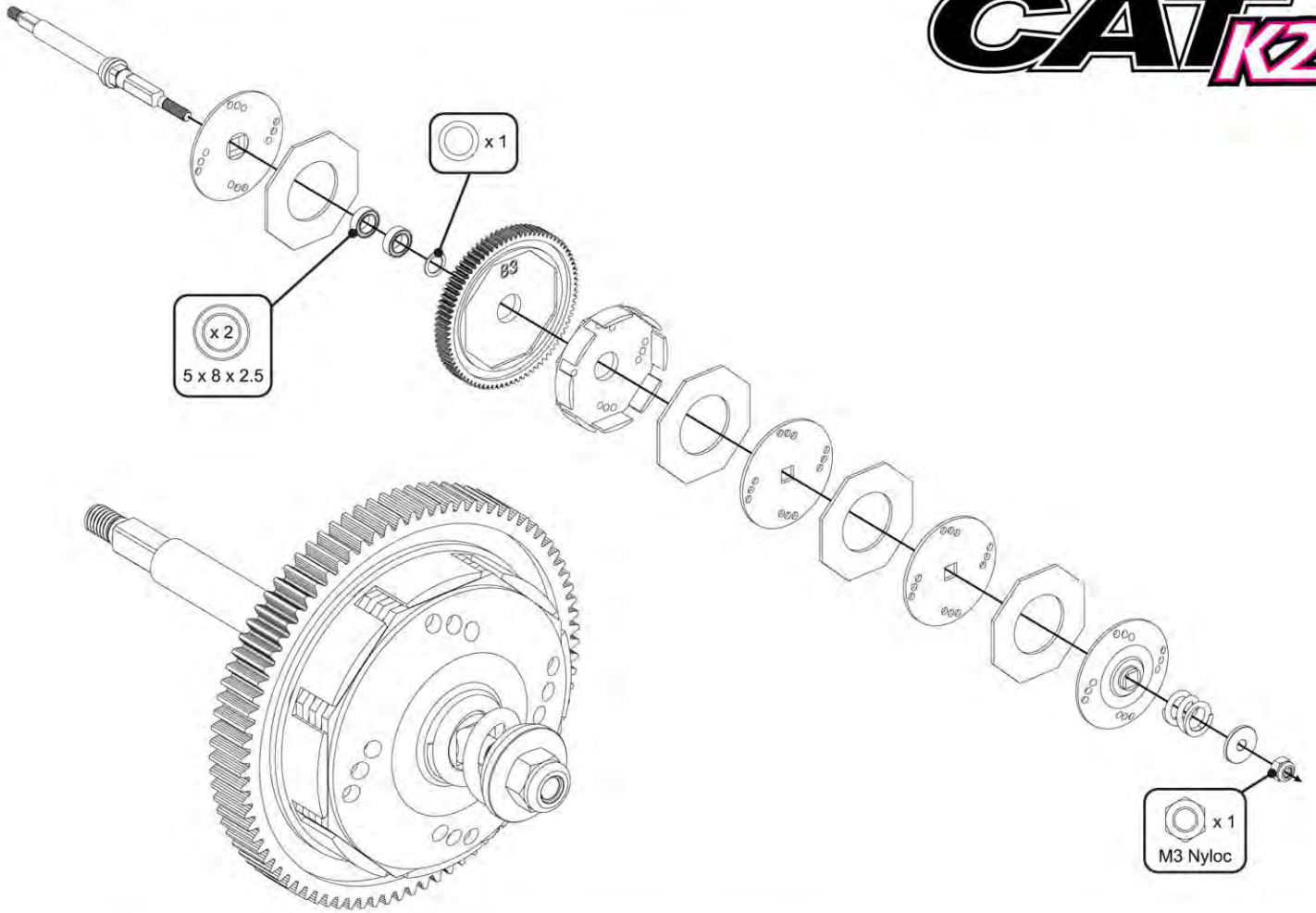
Step 2 A



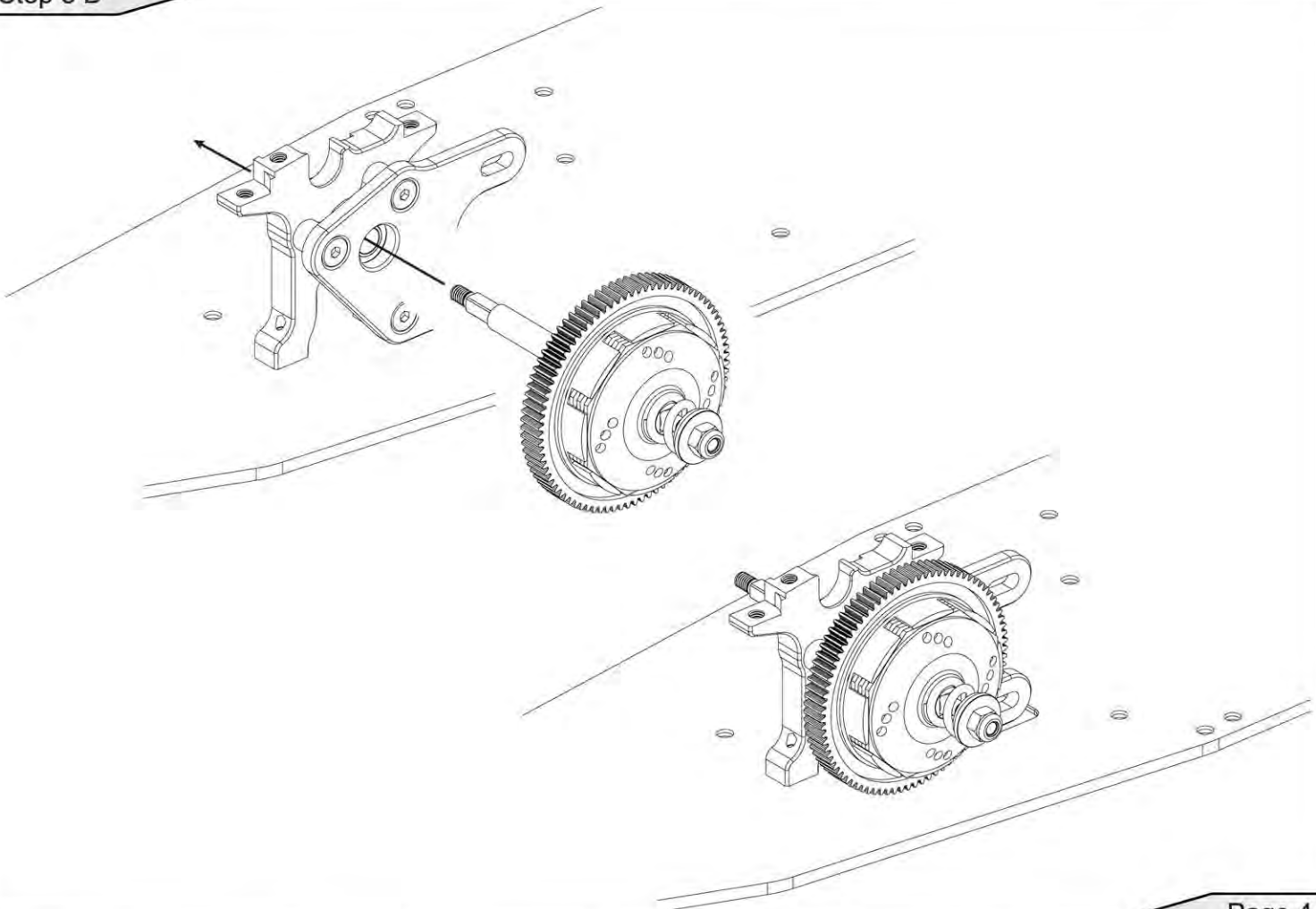
Step 2 B



Step 3 A

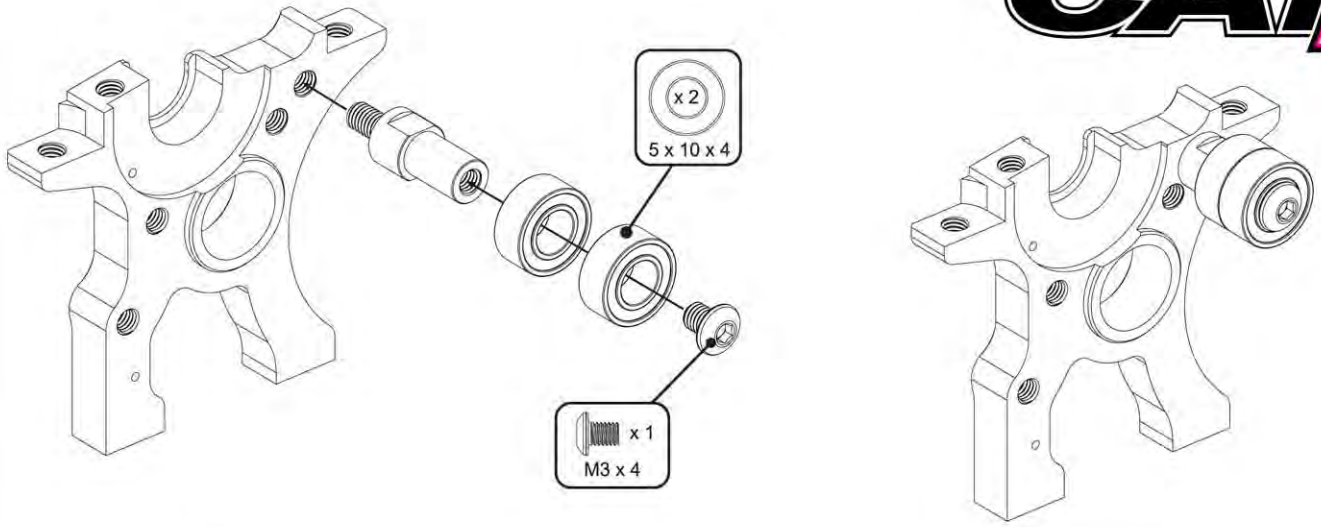


Step 3 B

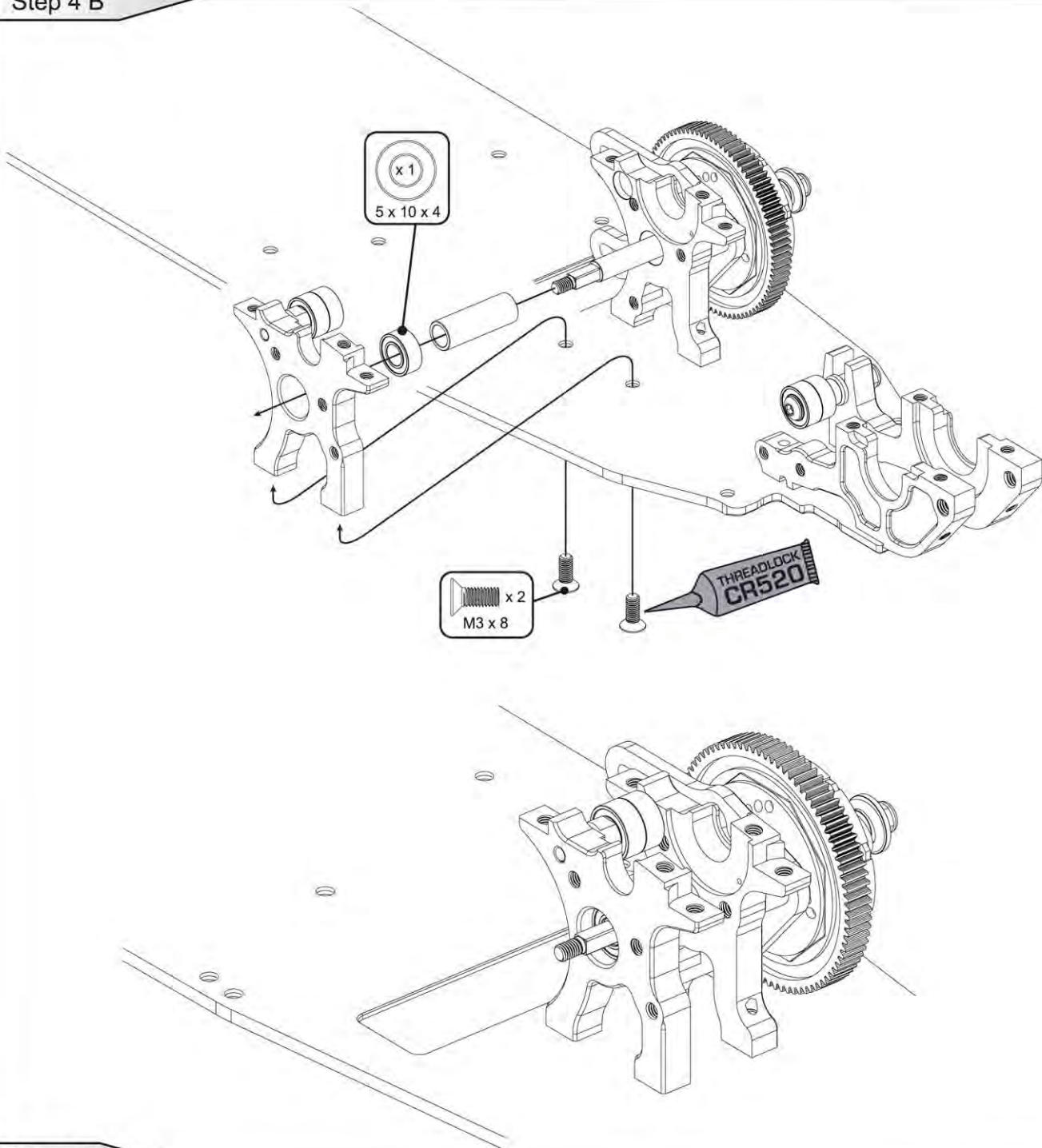


Step 4 A

CAT_{K2}

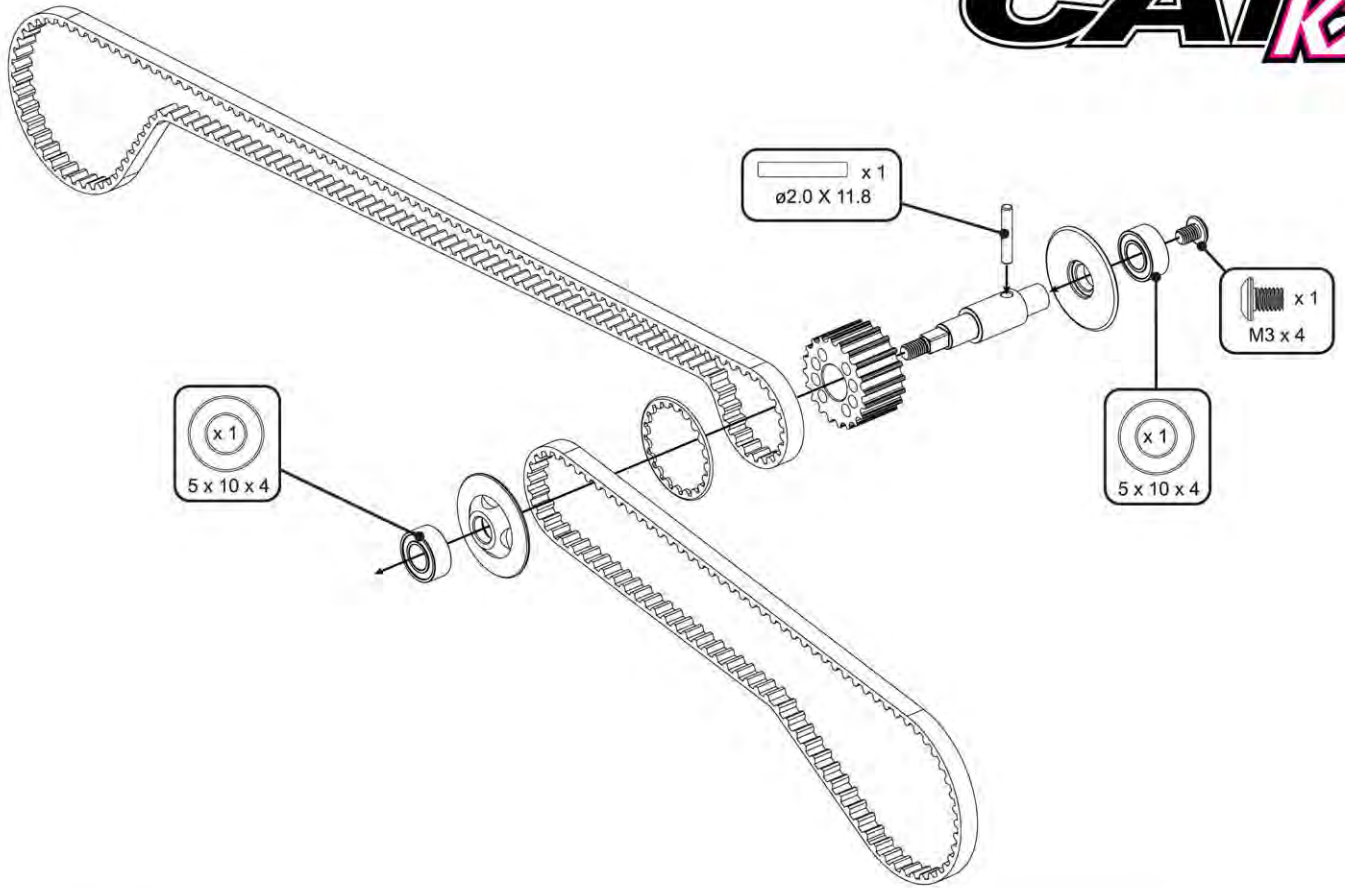


Step 4 B

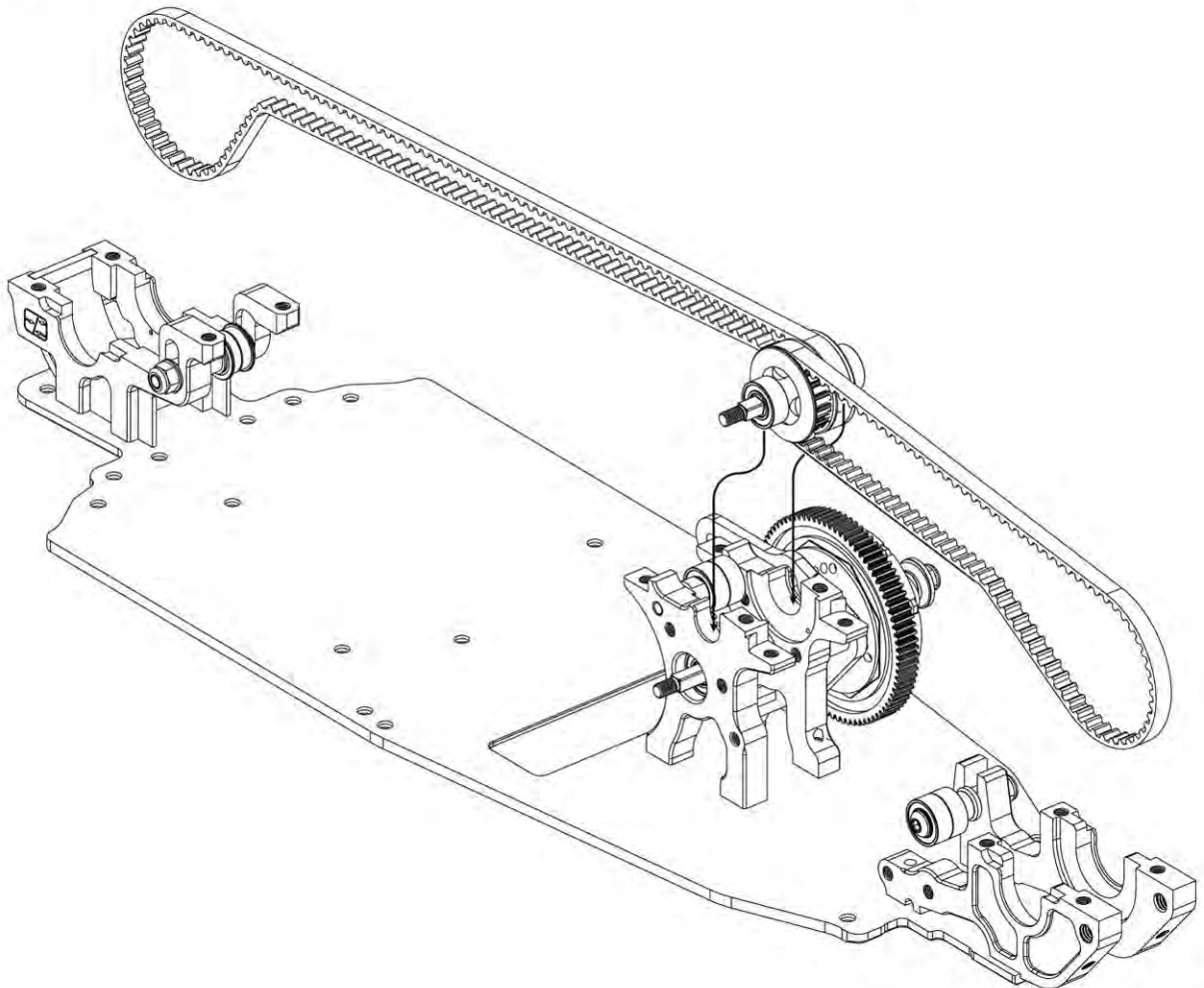


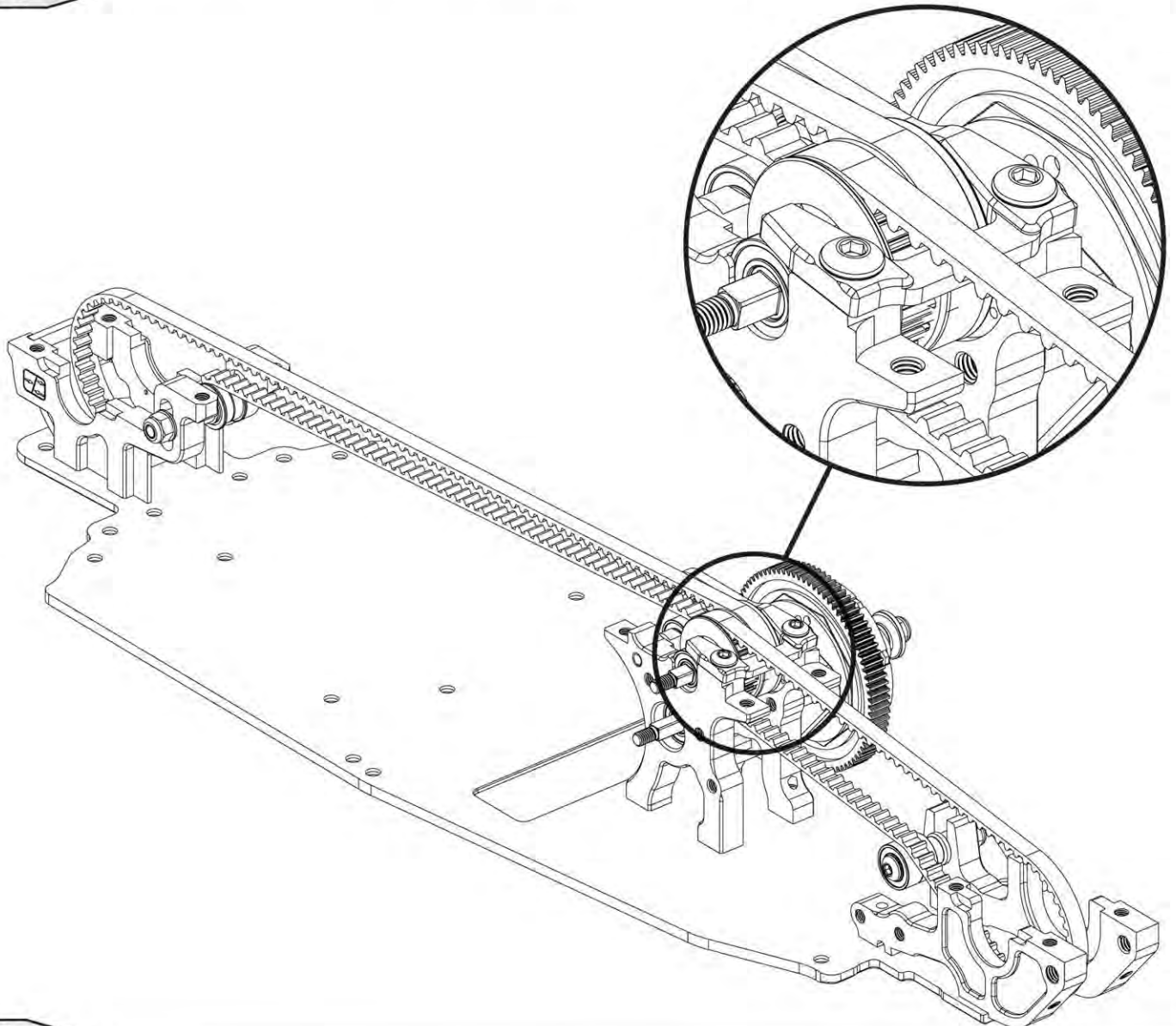
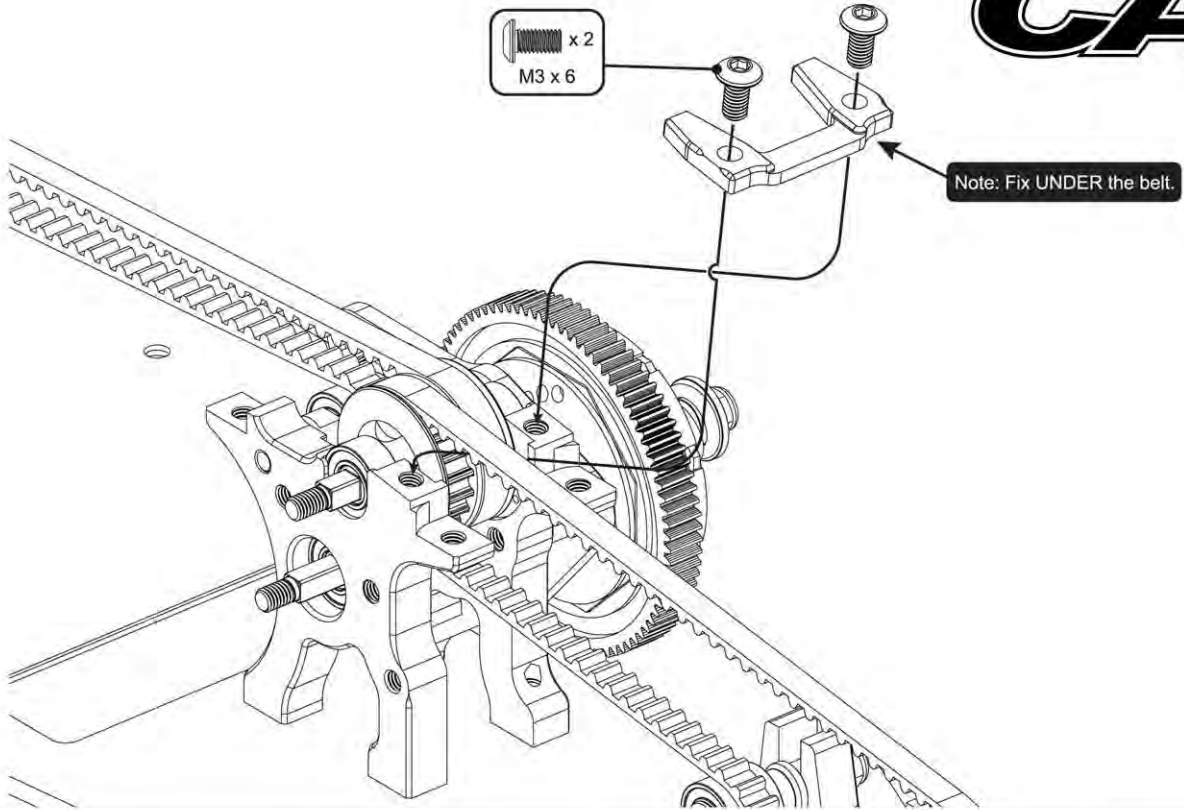
Step 5 A

CAT*K2*



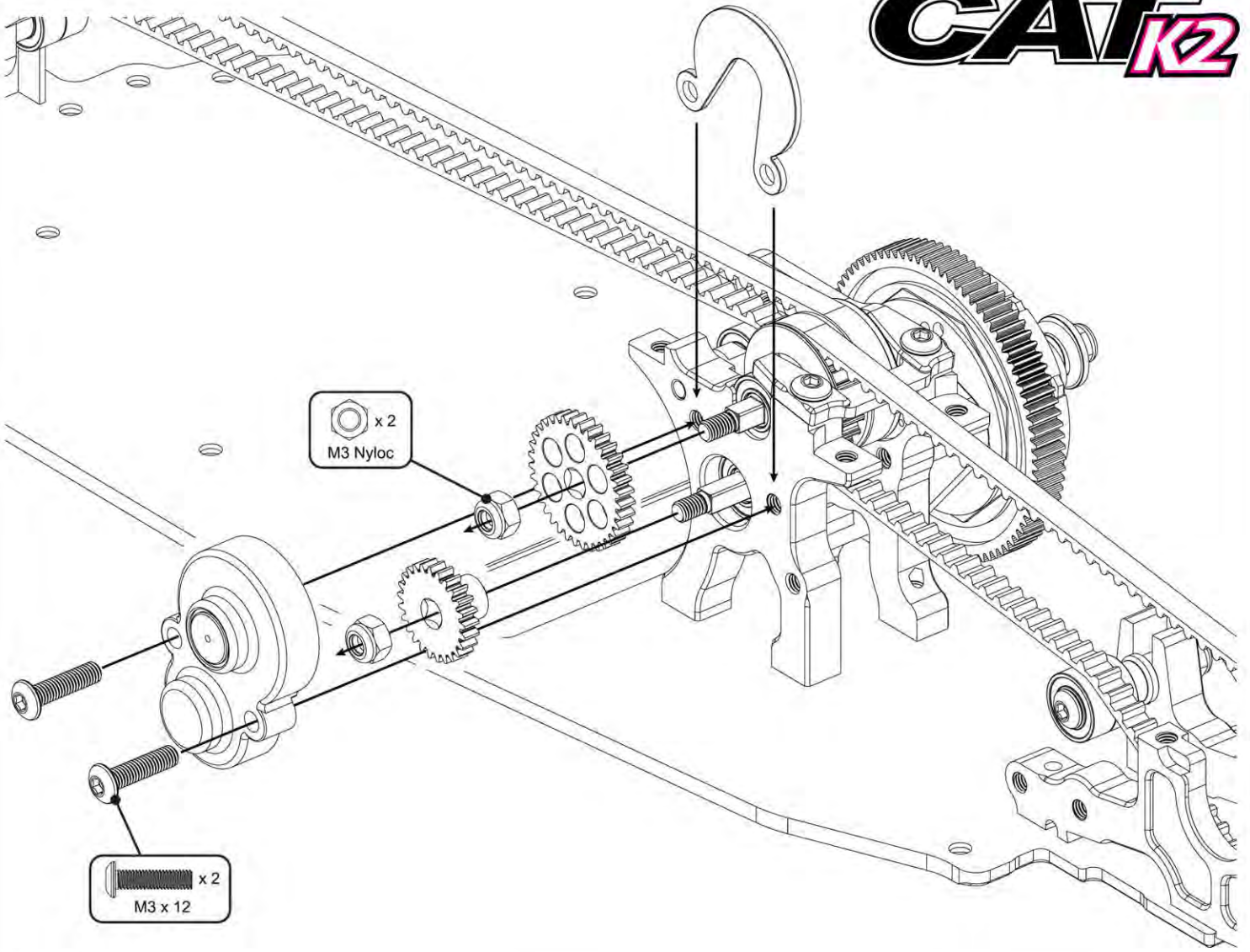
Step 5 B



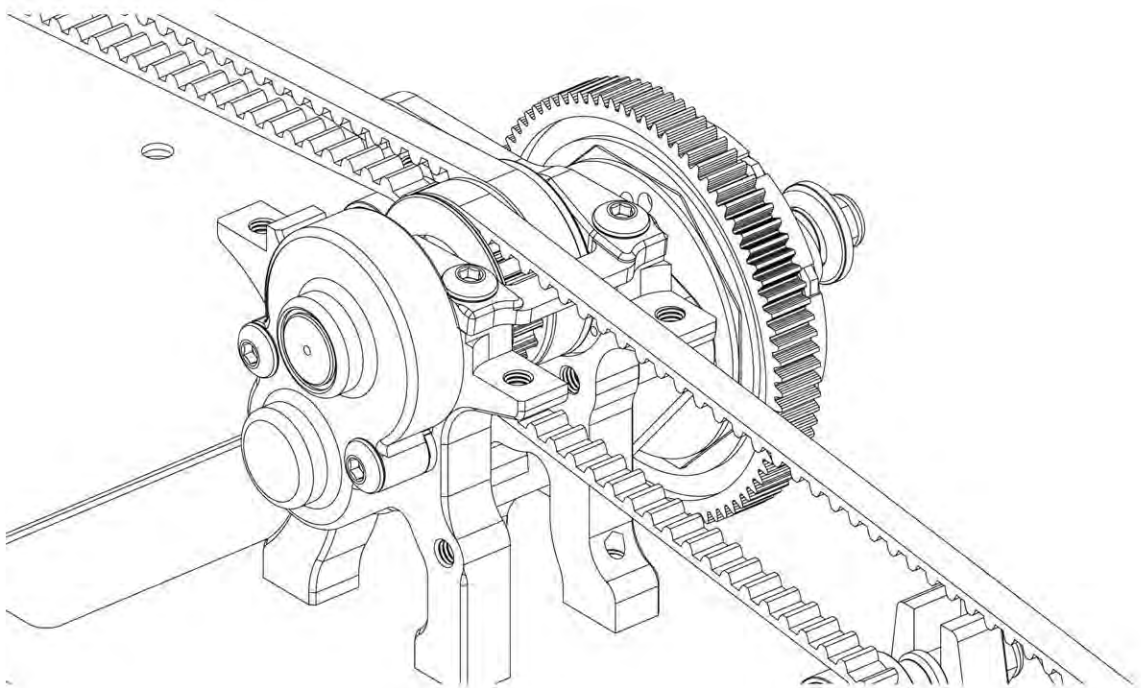


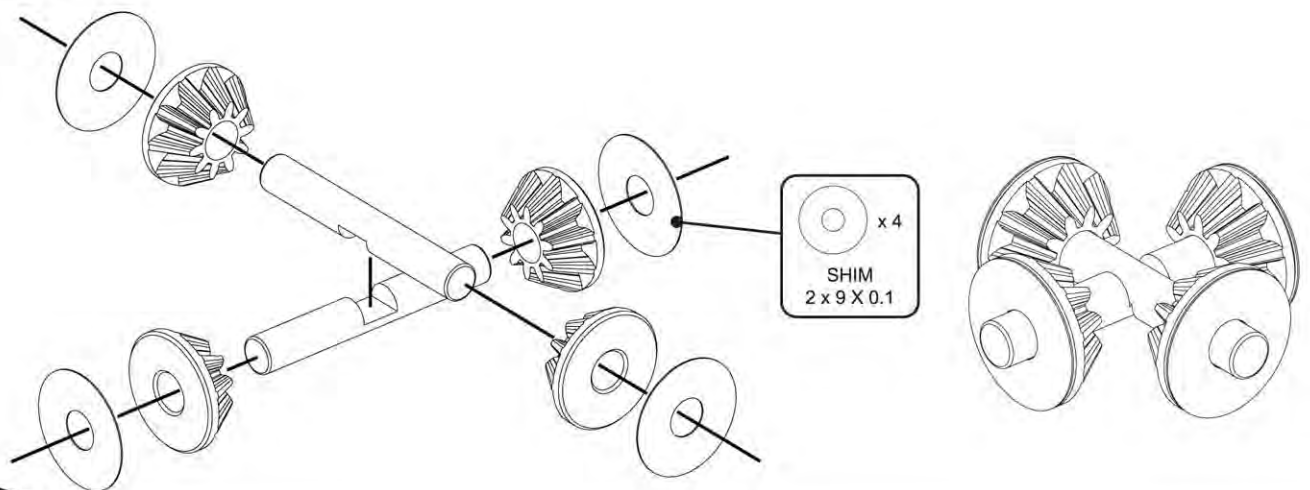
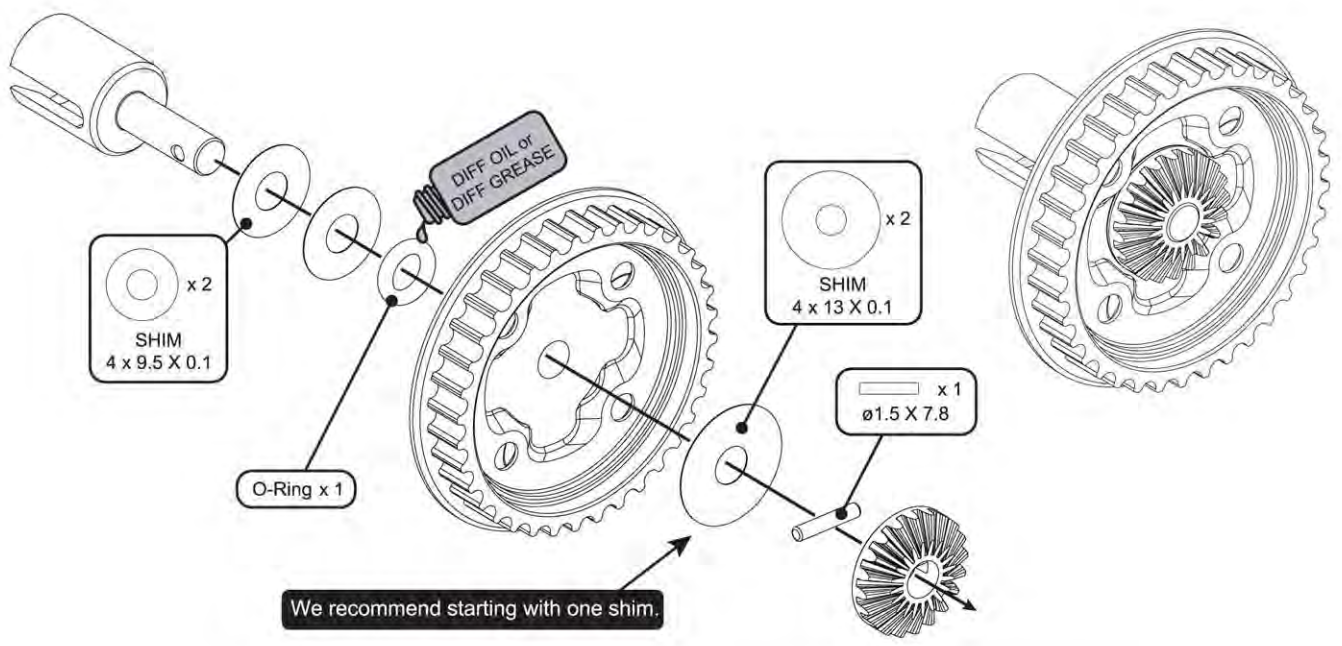
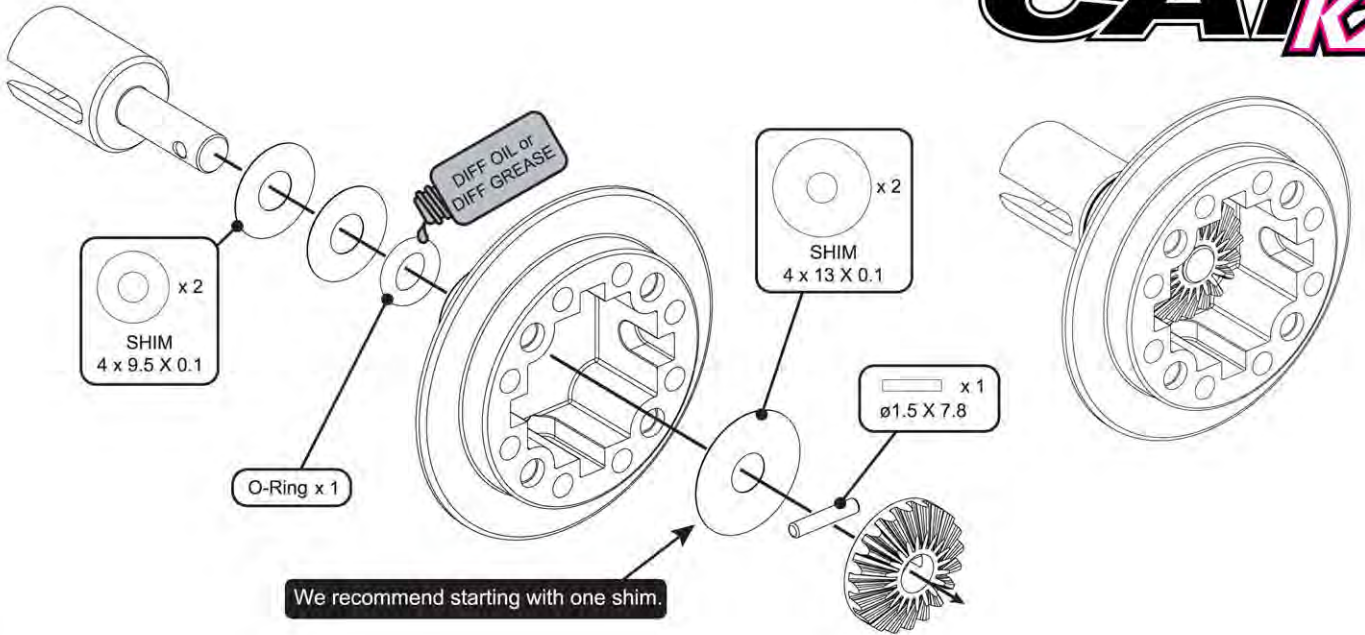
Step 6 A

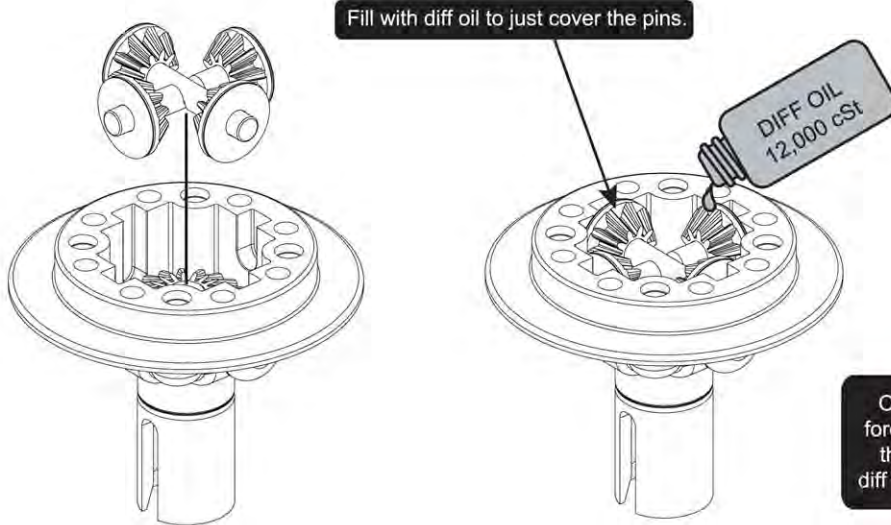
CAT*K2*



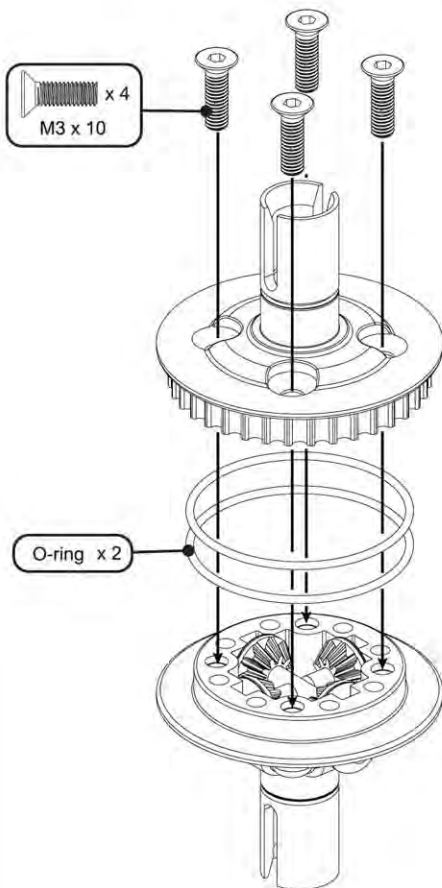
Step 6 B





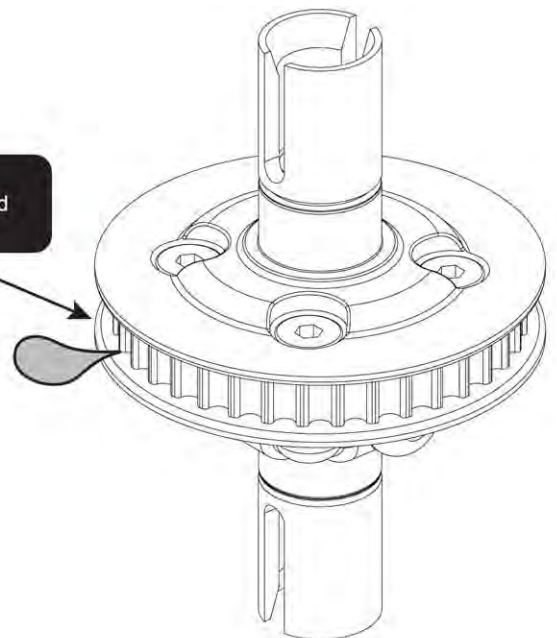


Overfilling will cause oil to be forced out past the o-ring seals. this will stop when the oil and diff volume balance out with heat.



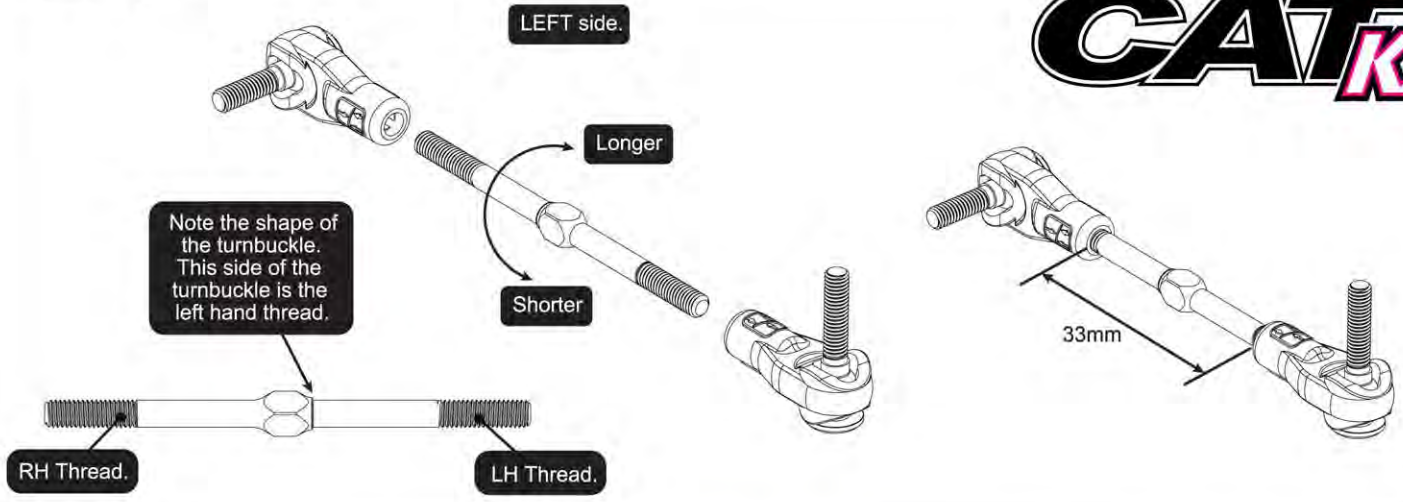
Feel the diff for internal gear mesh.
If too loose go back to Step 8 and add a shim between the housing and the bevel gear.
If too tight remove a shim from between the housing and the bevel gear.

IMPORTANT
Remove any oil that has spilled onto the pulley teeth.

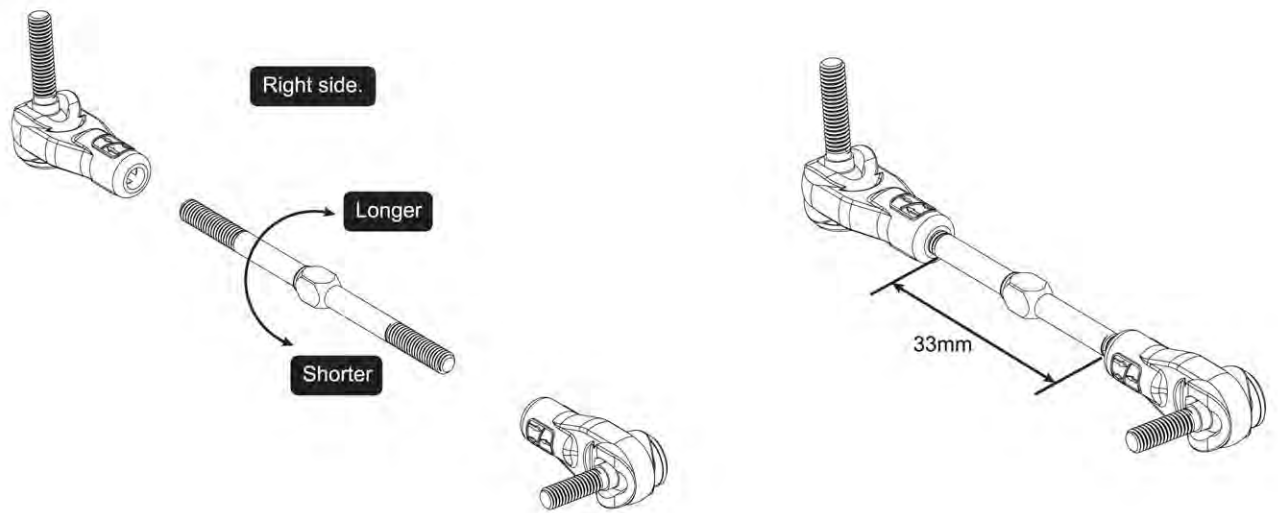


Now Repeat steps 7, 8 & 9 to build a second identical Diff

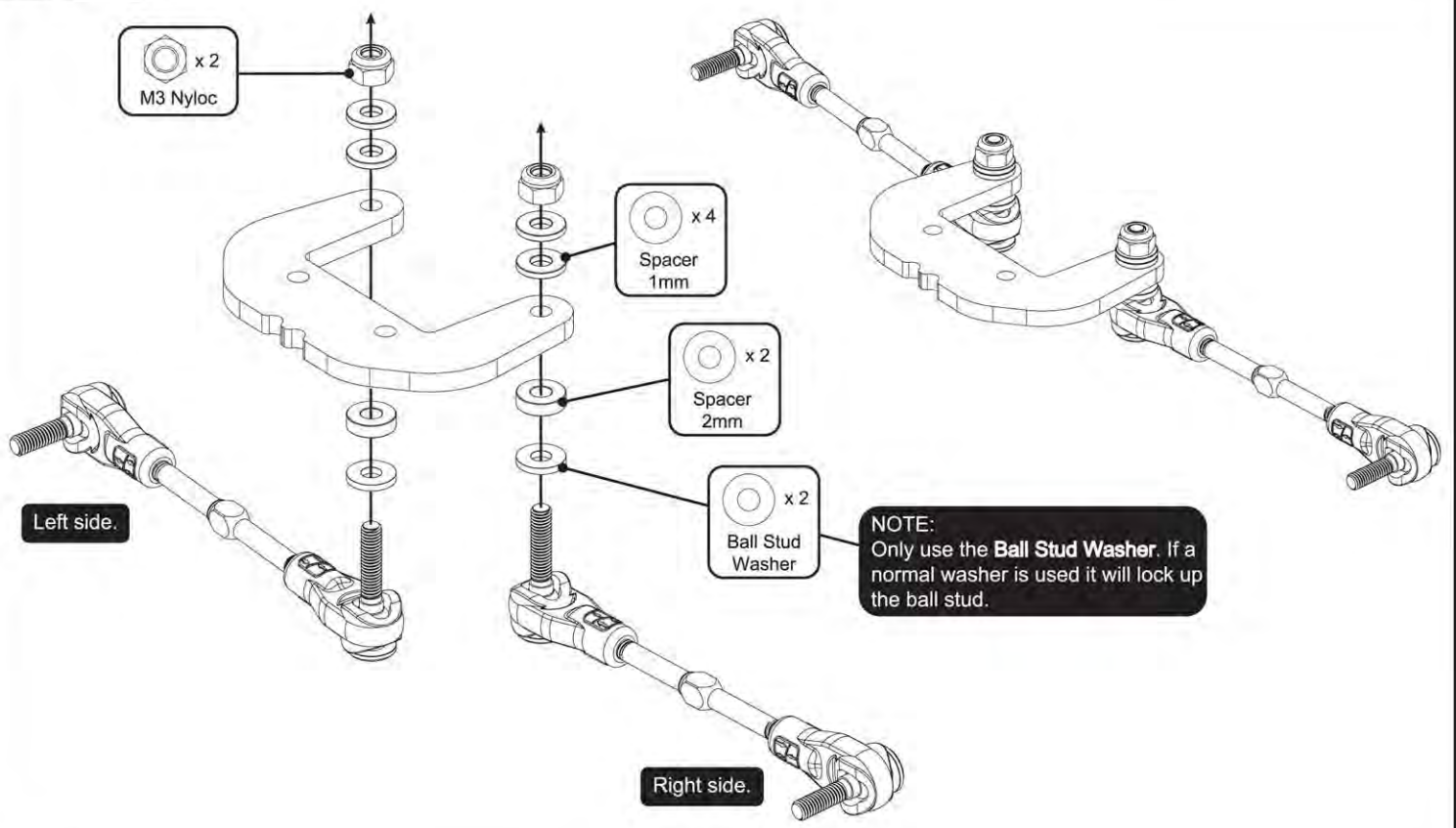
Step 10 A



Step 10 B

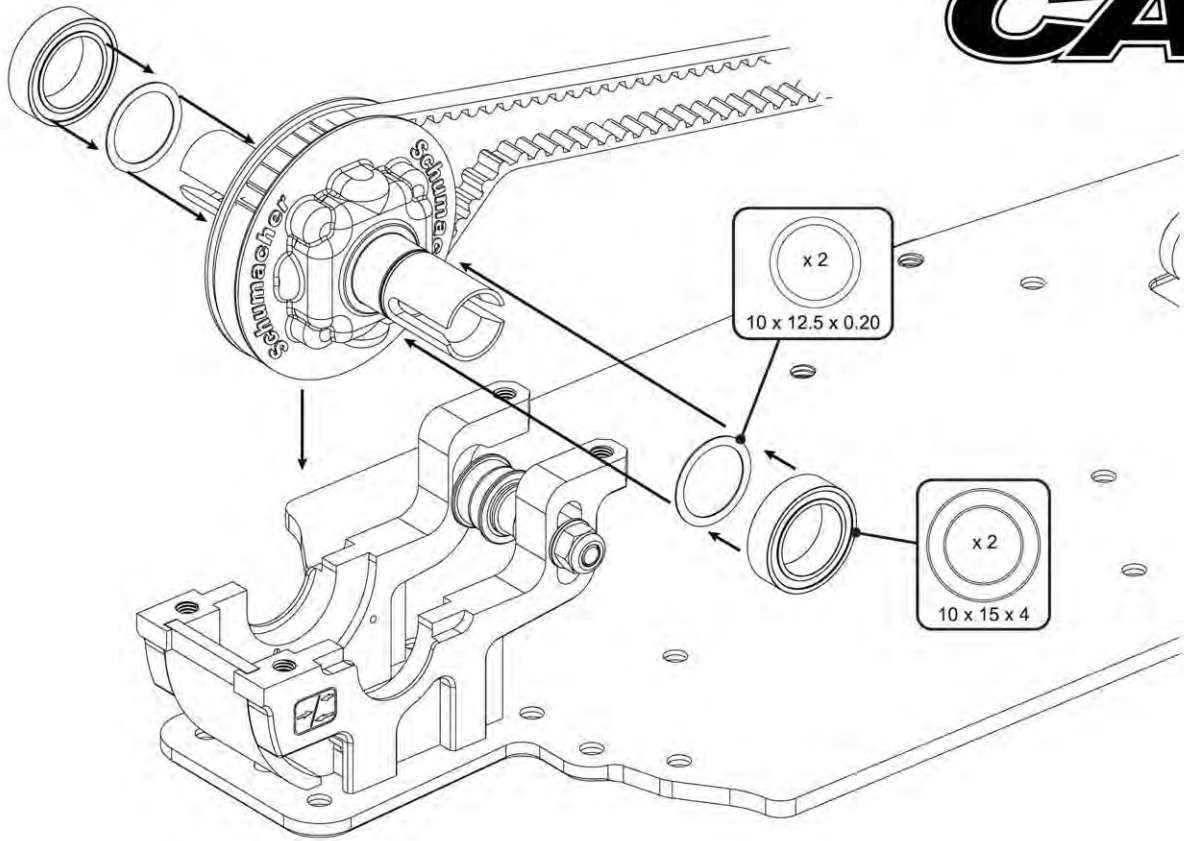


Step 11

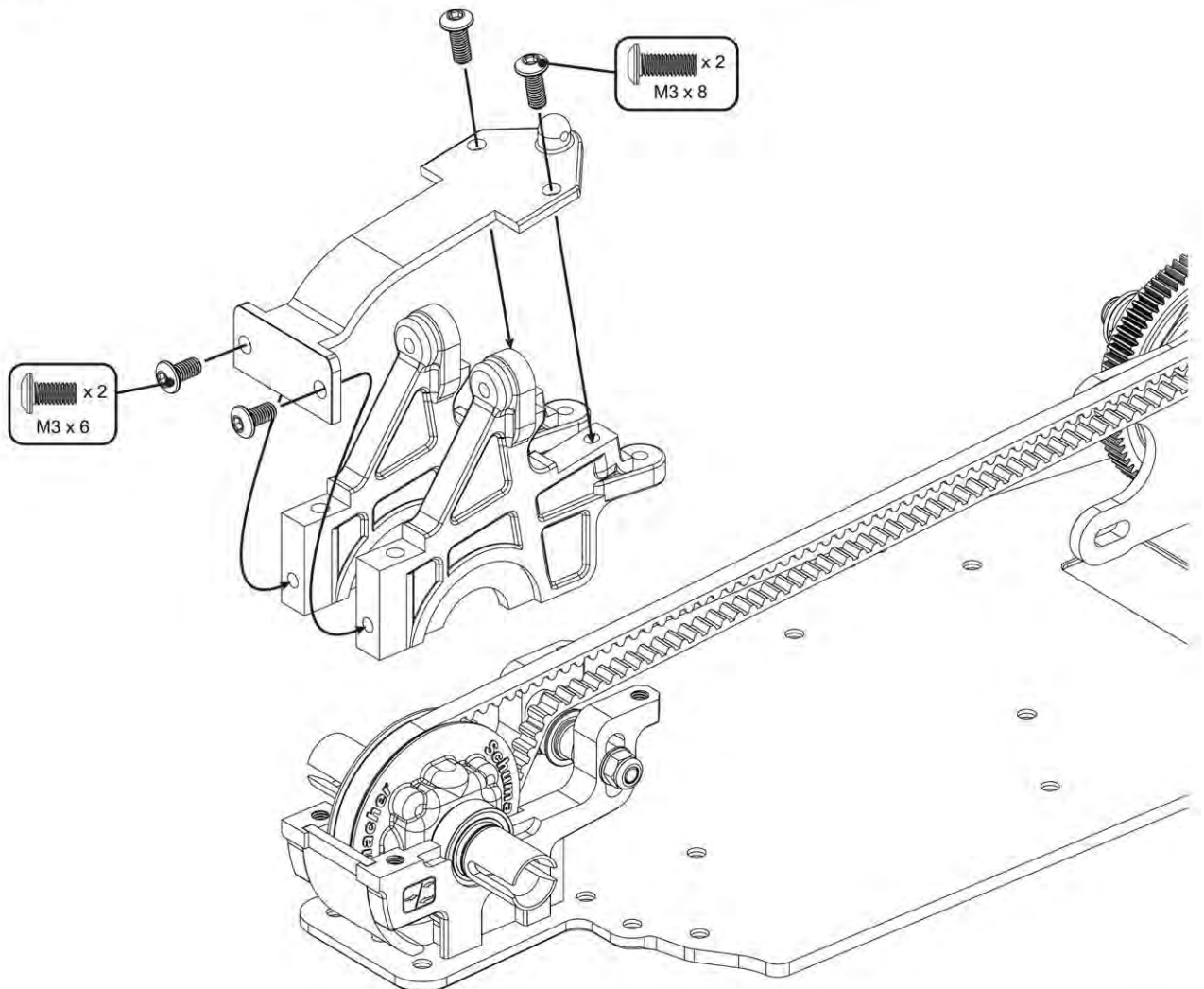


Step 12 A

CAT_{R2}

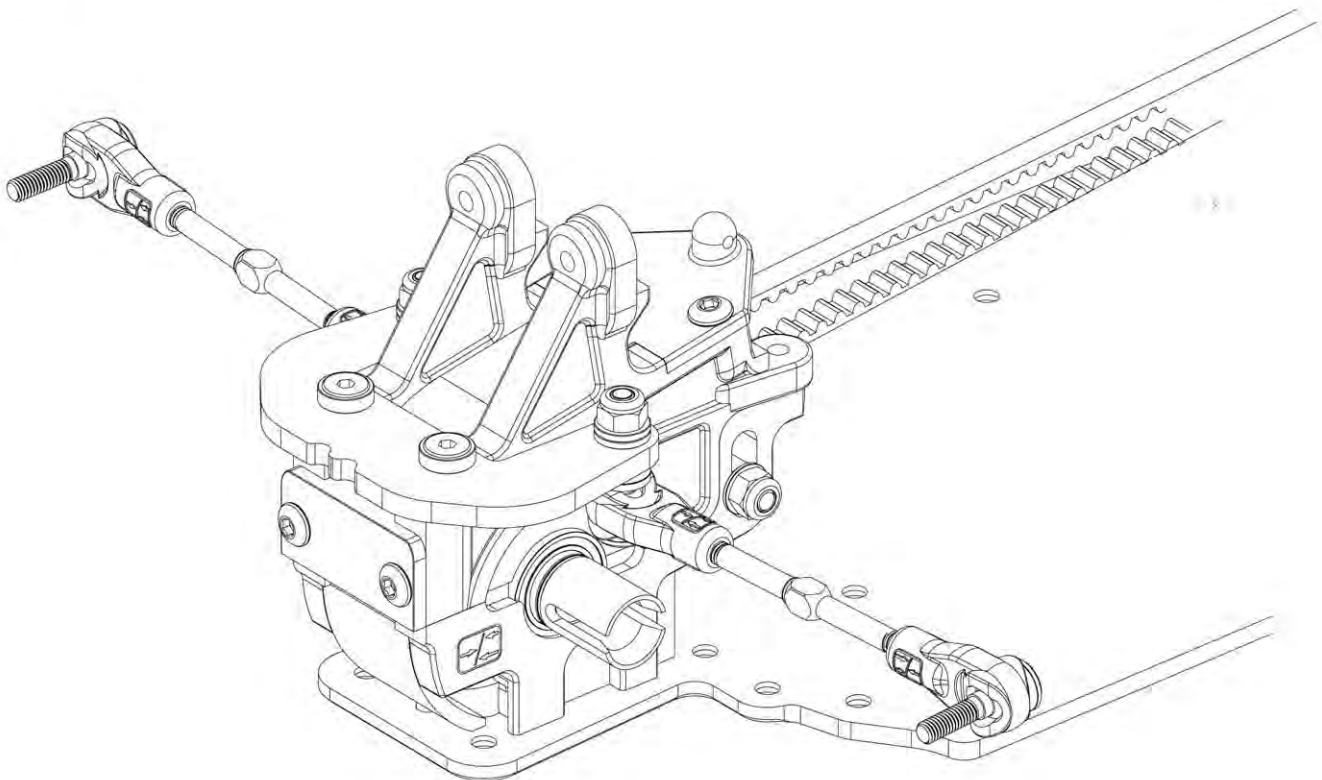
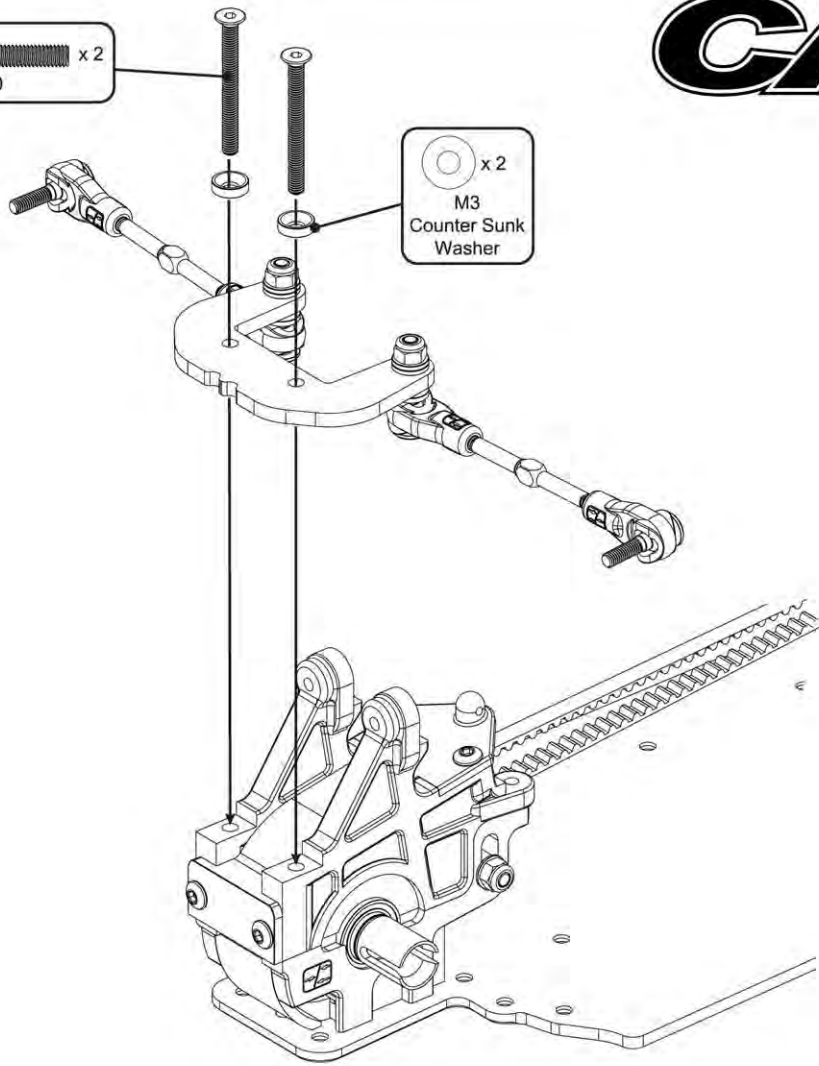


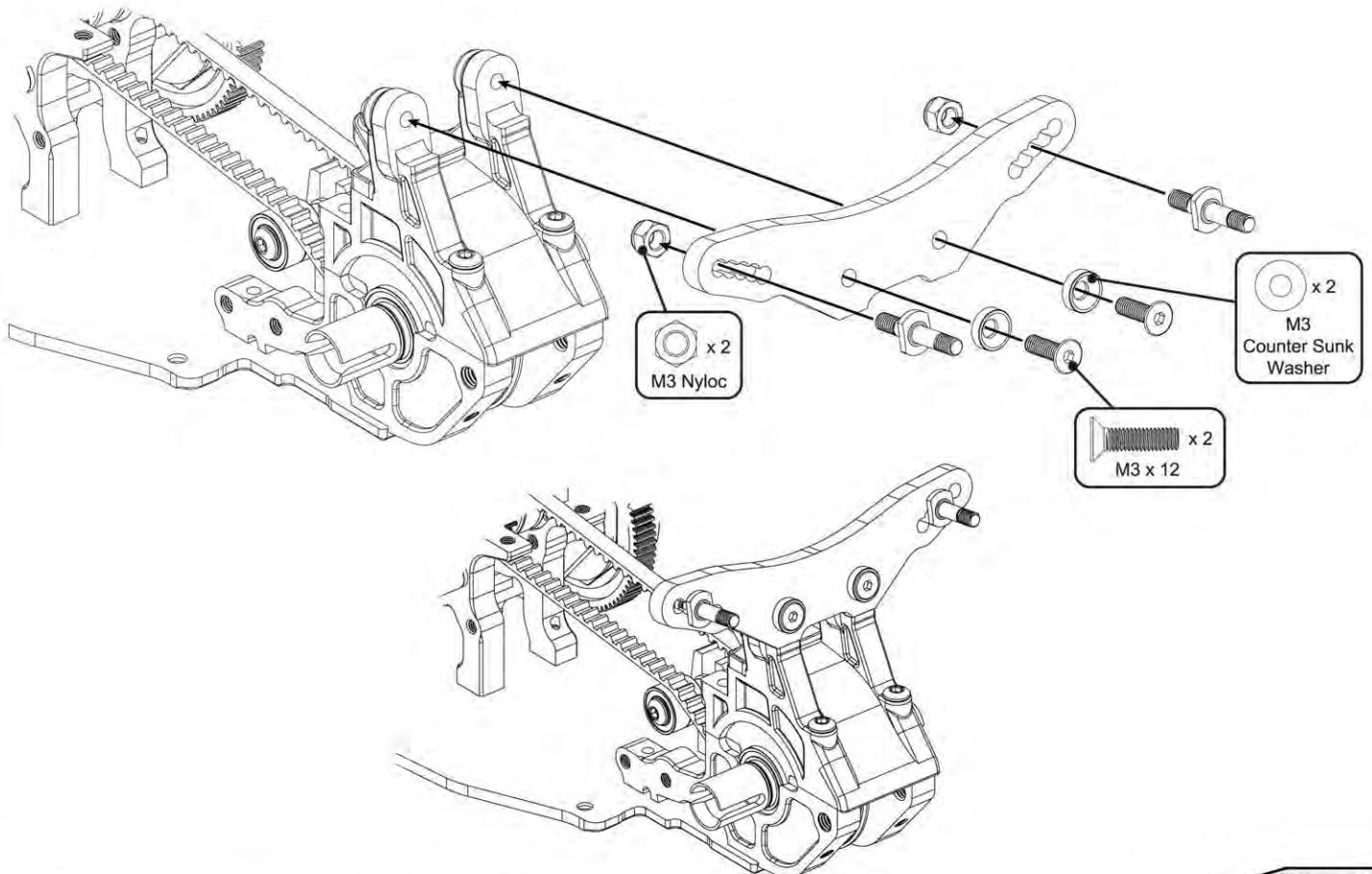
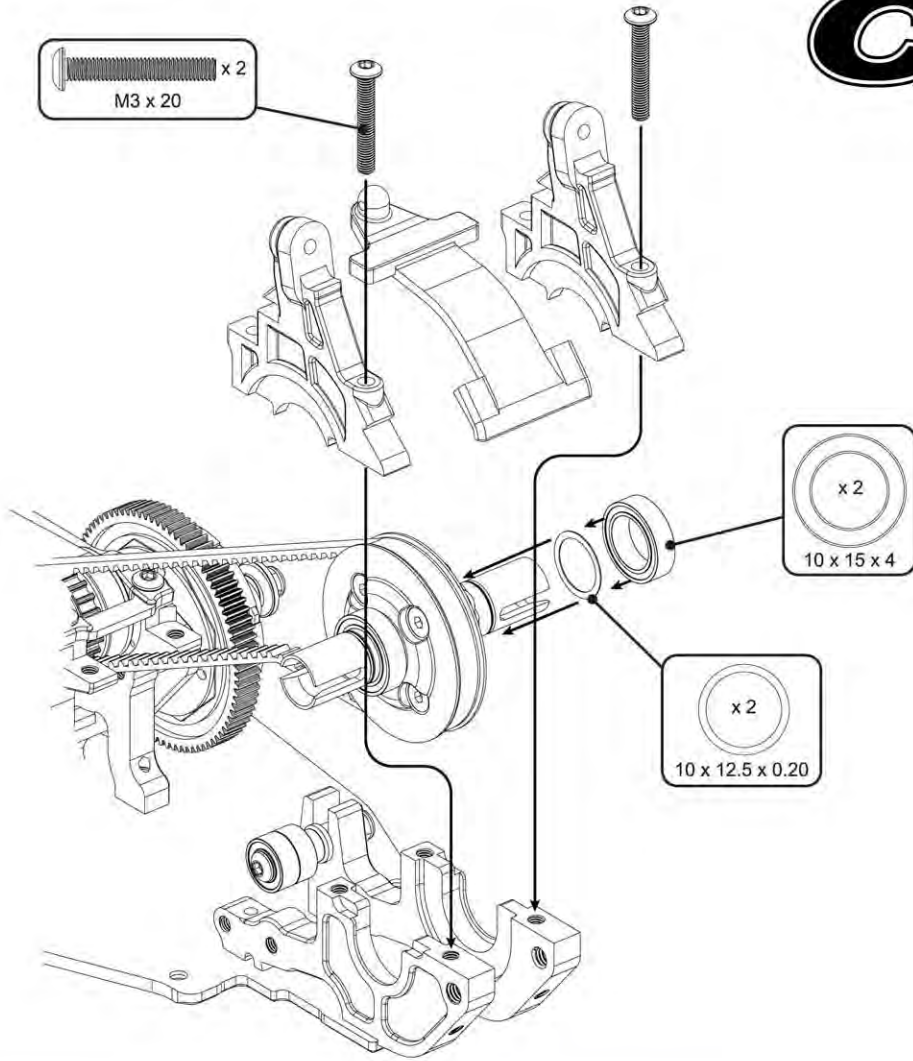
Step 12 B

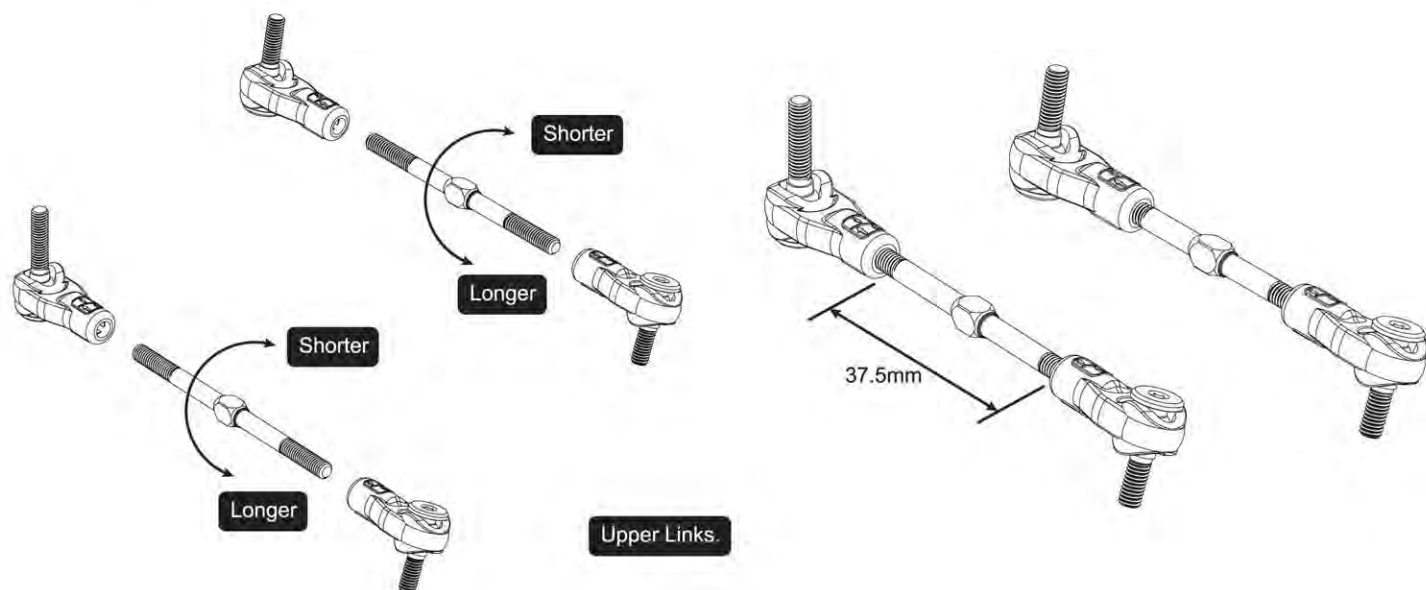
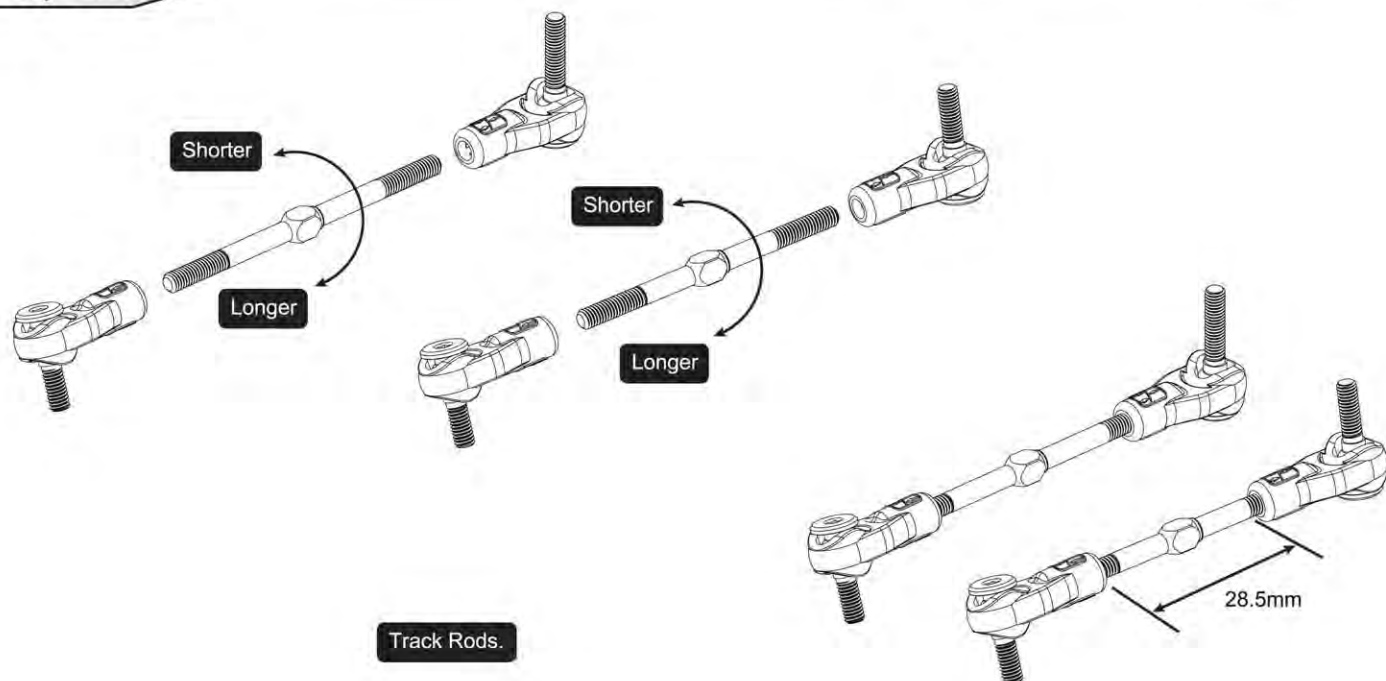
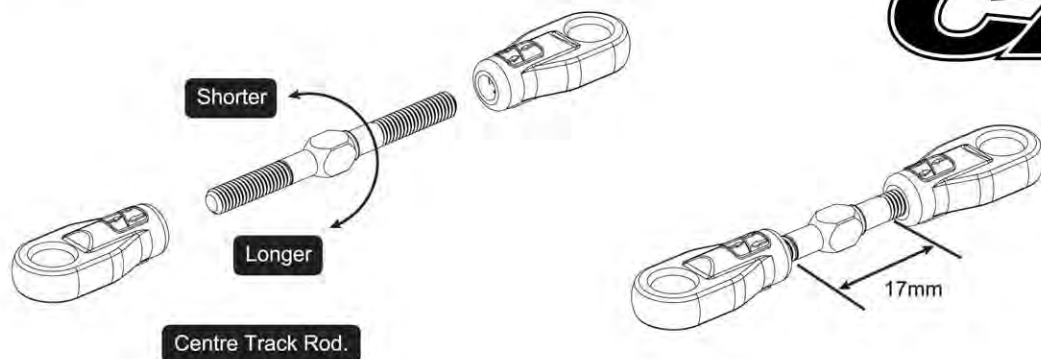


M3 x 30 x 2

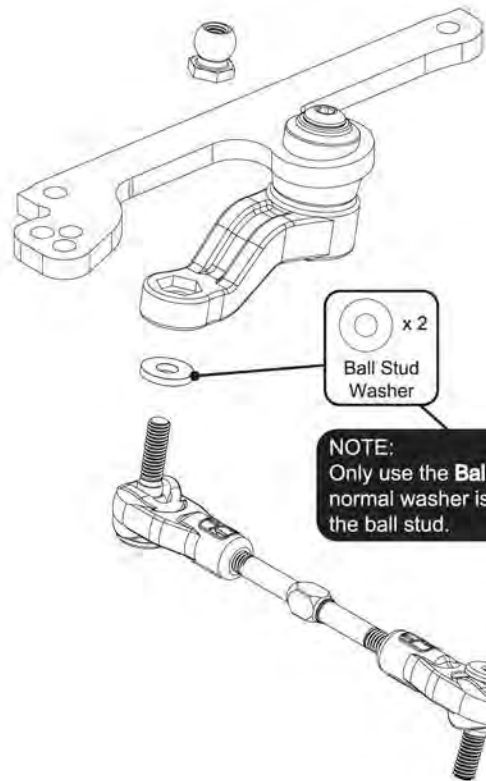
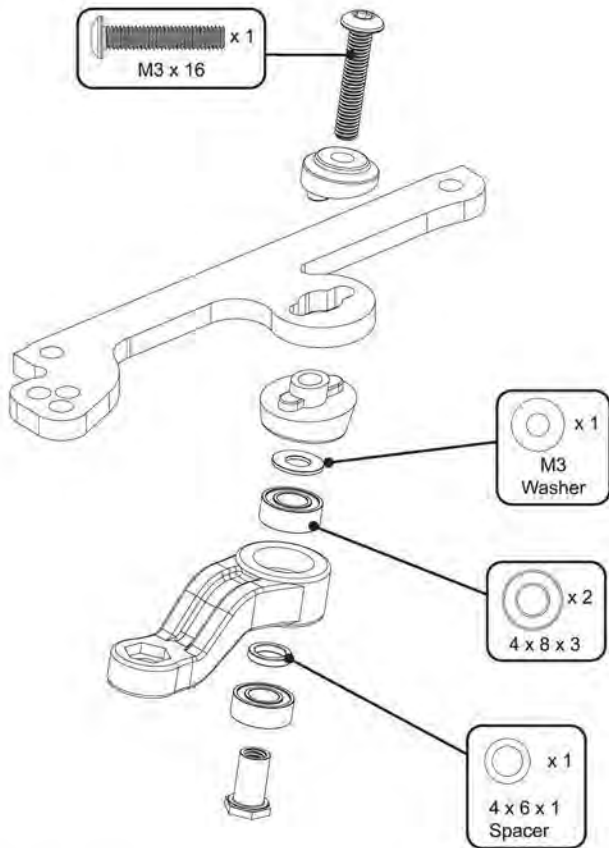
x 2
M3
Counter Sunk
Washer



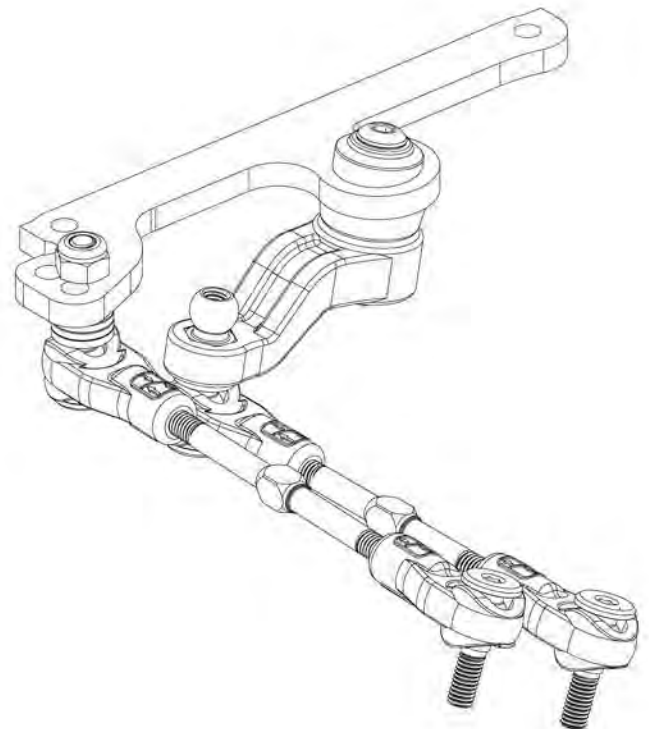
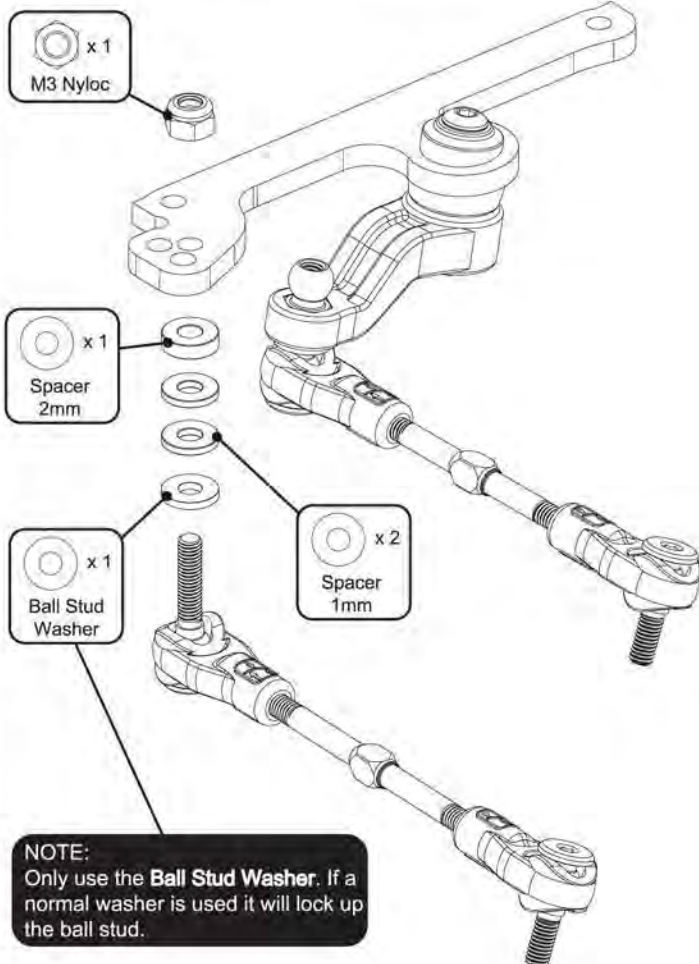


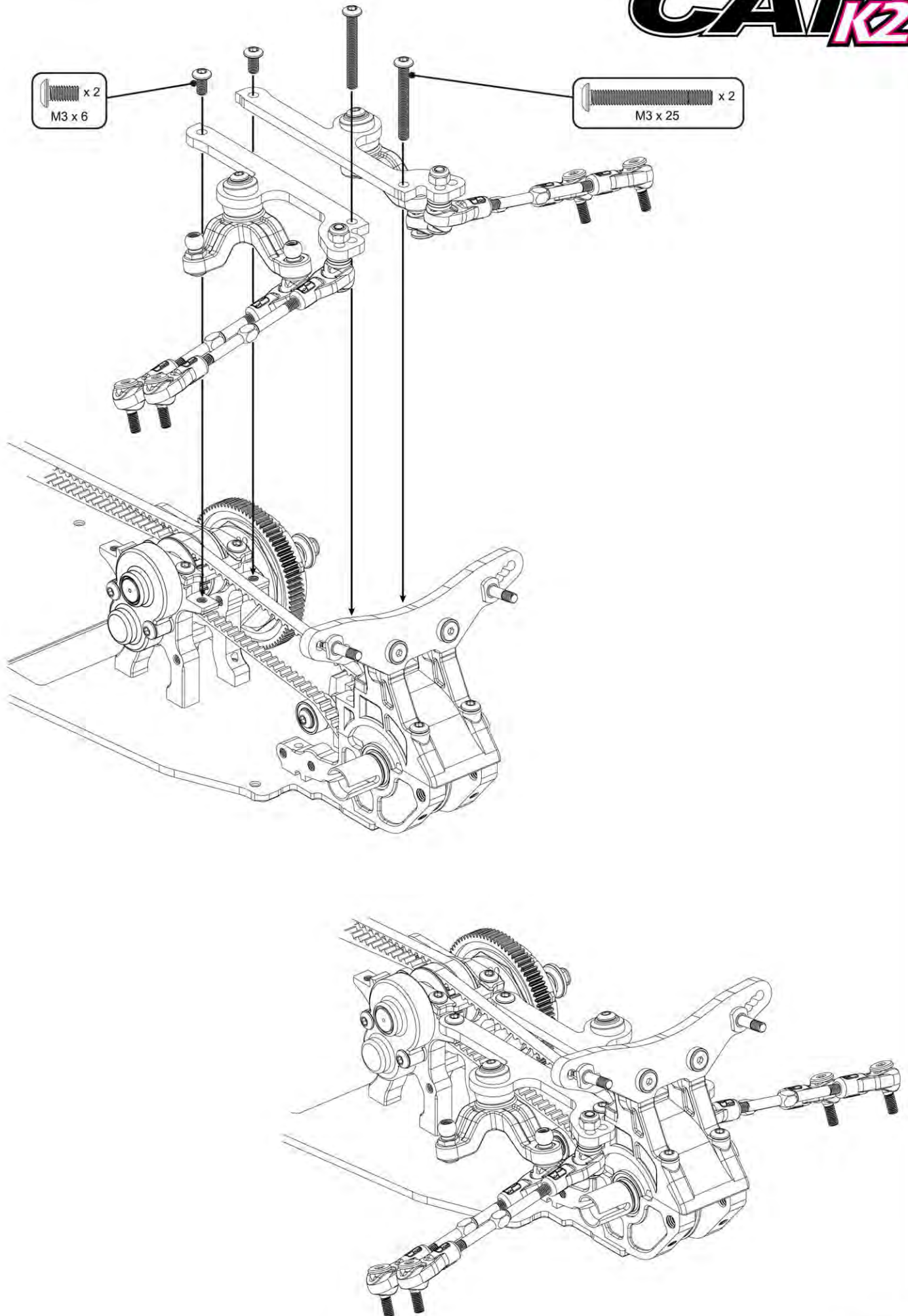


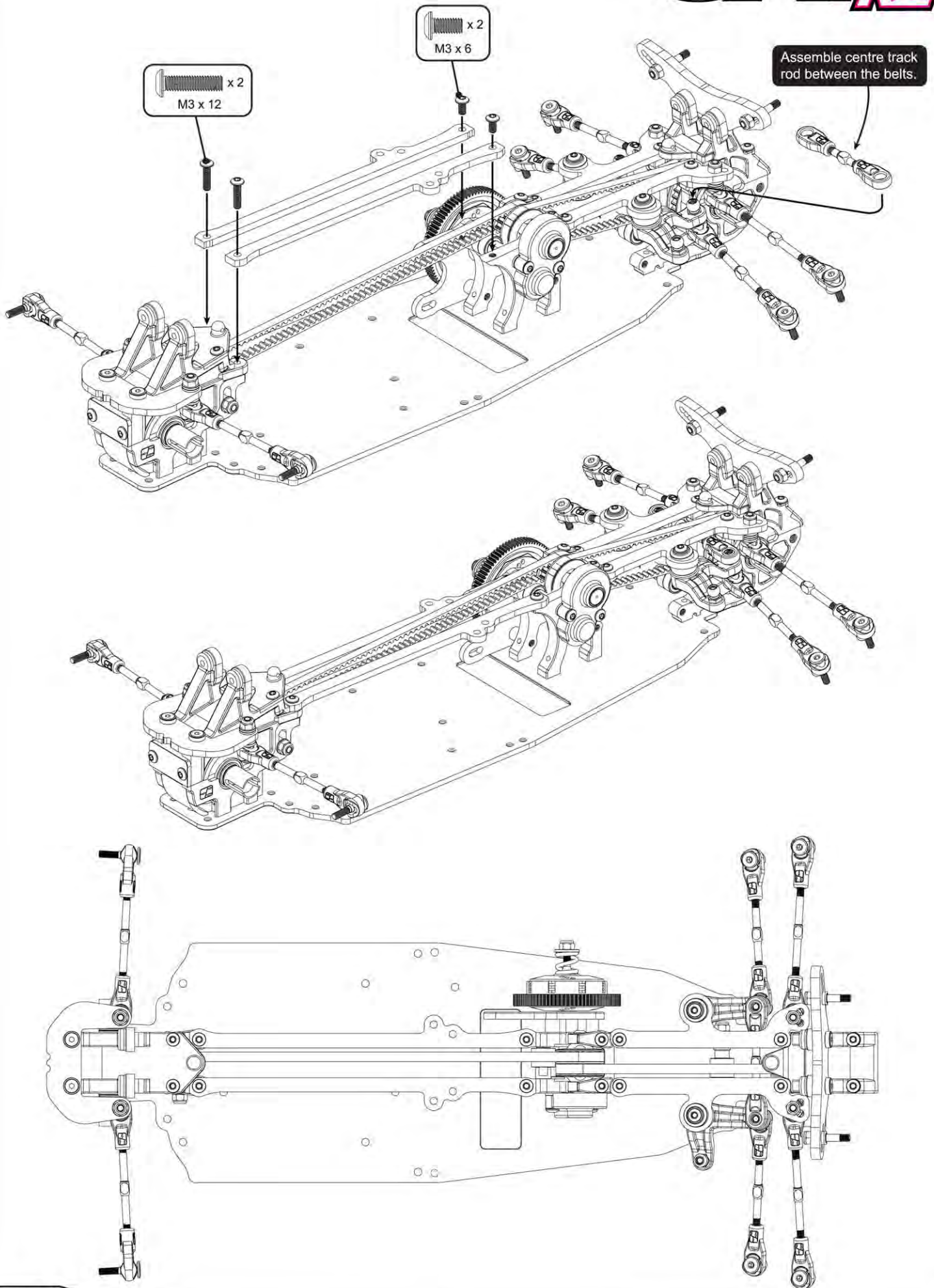
Step 16 A



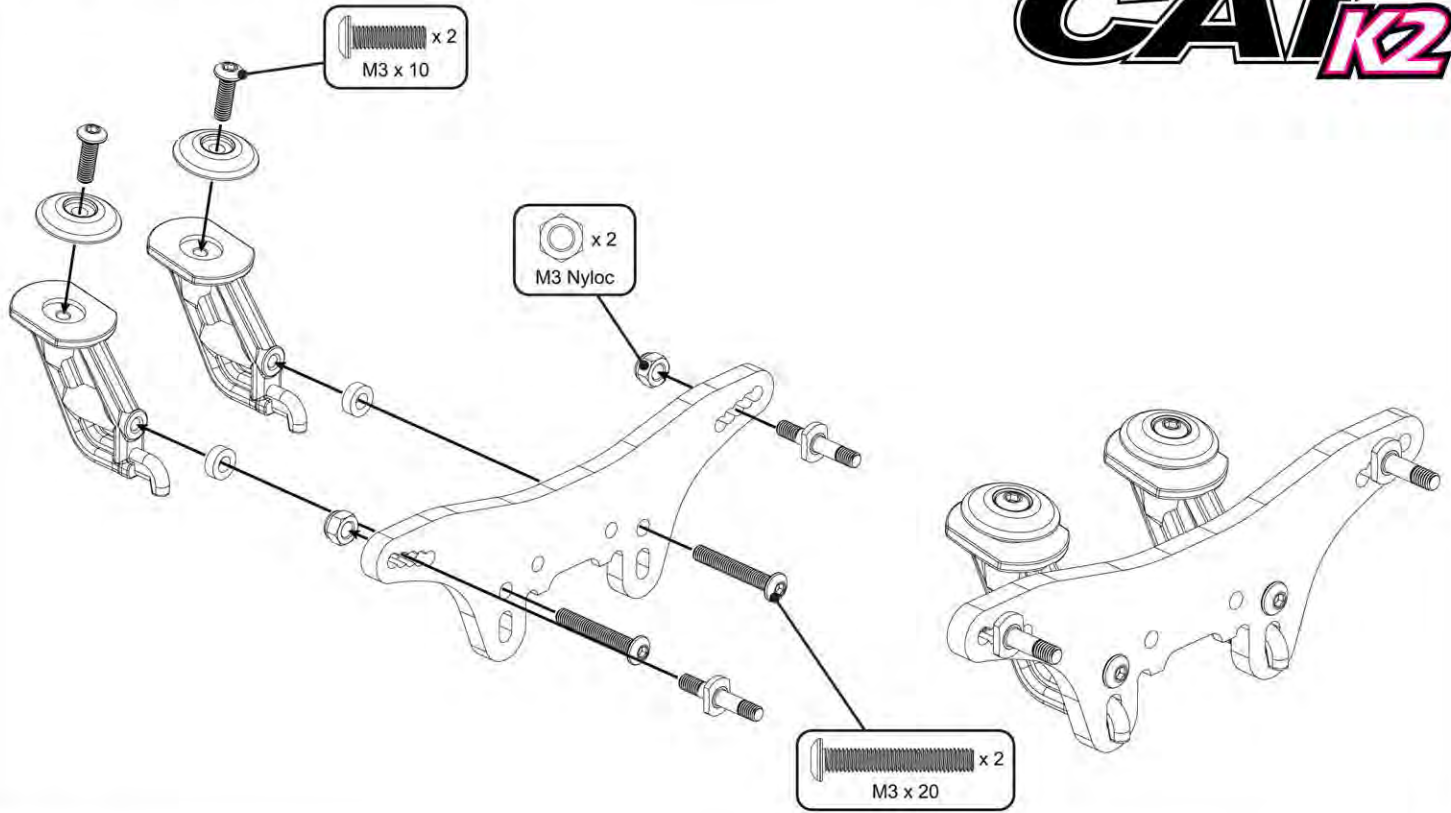
Step 16 B



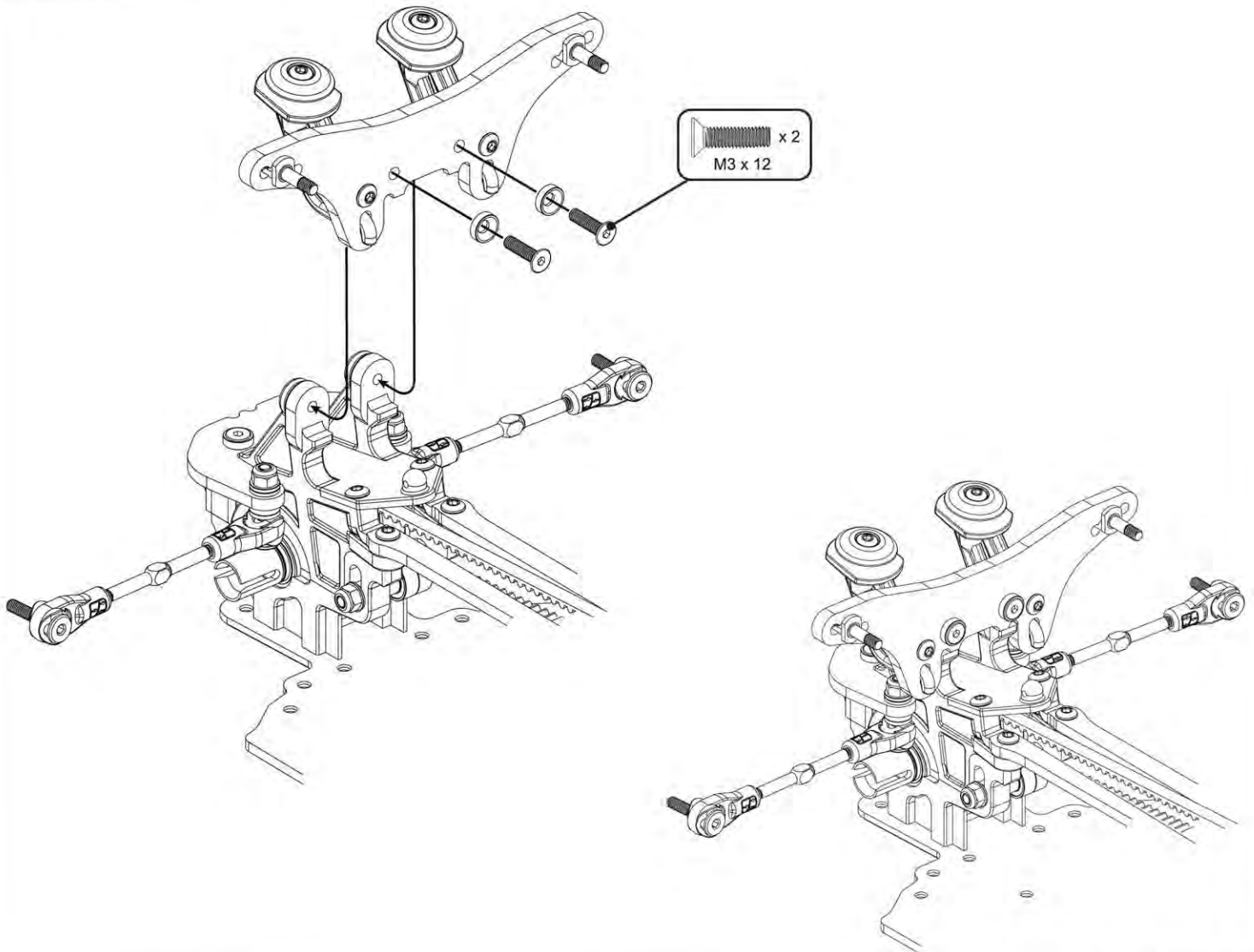


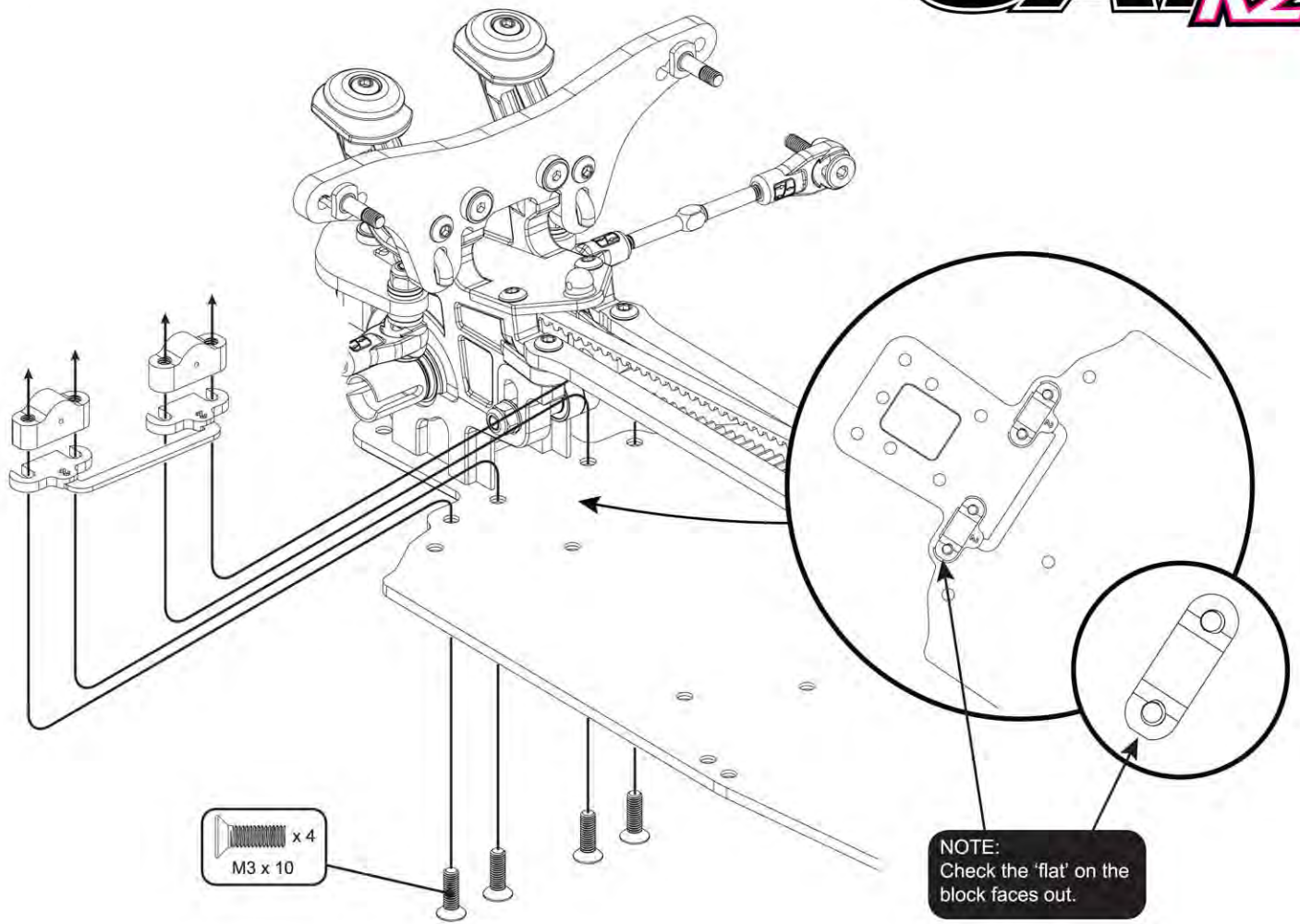


Step 18 A



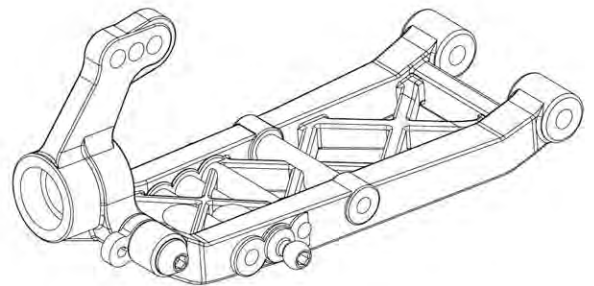
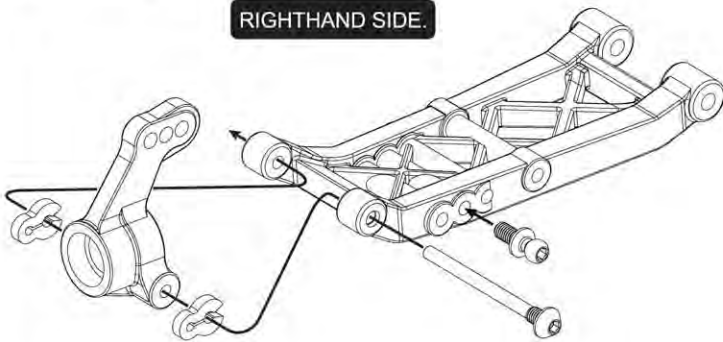
Step 18 B





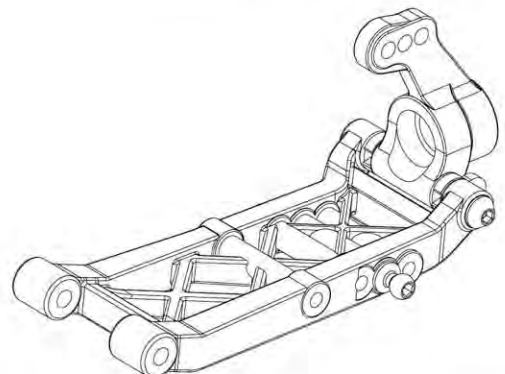
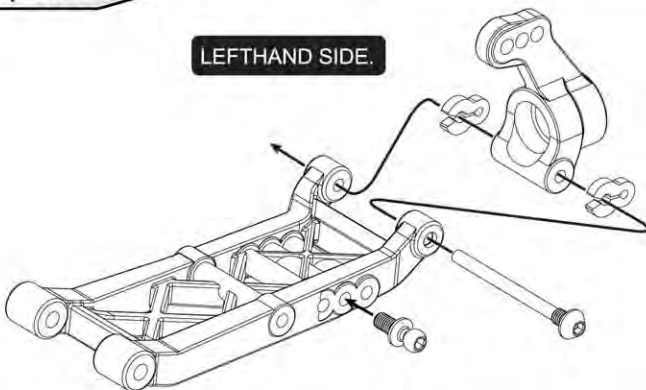
Step 20 A

RIGHTHAND SIDE.

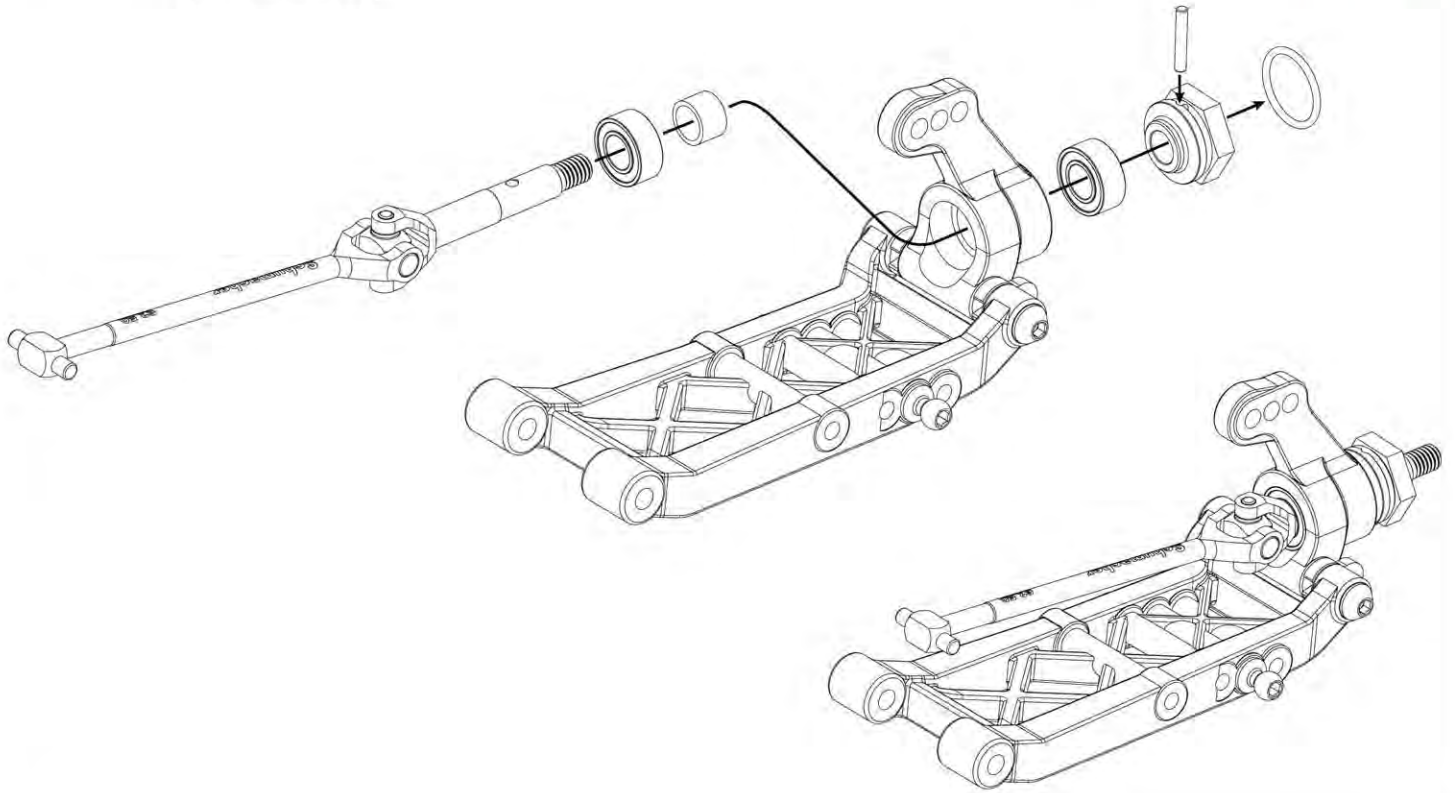


Step 20 B

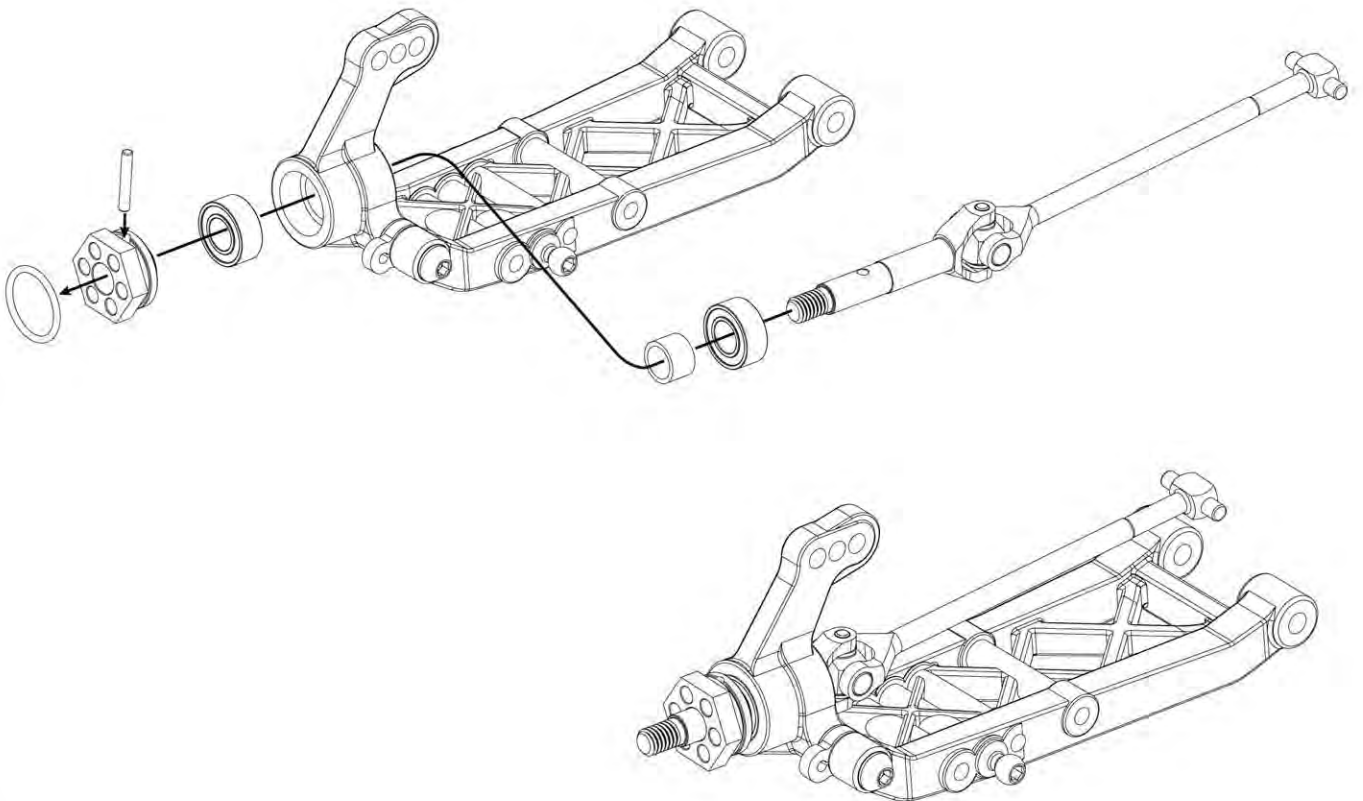
LEFTHAND SIDE.

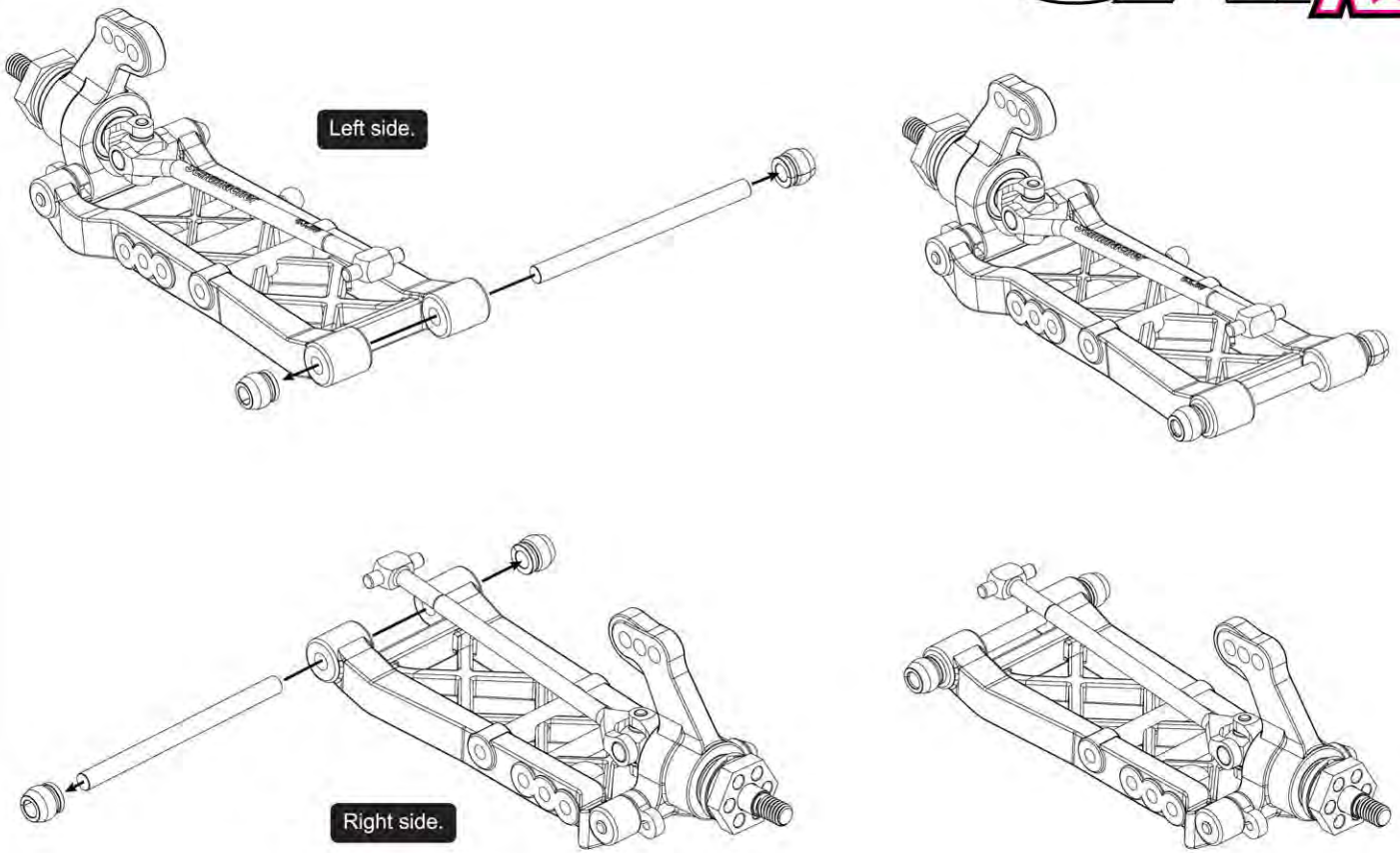


LEFTHAND SIDE.



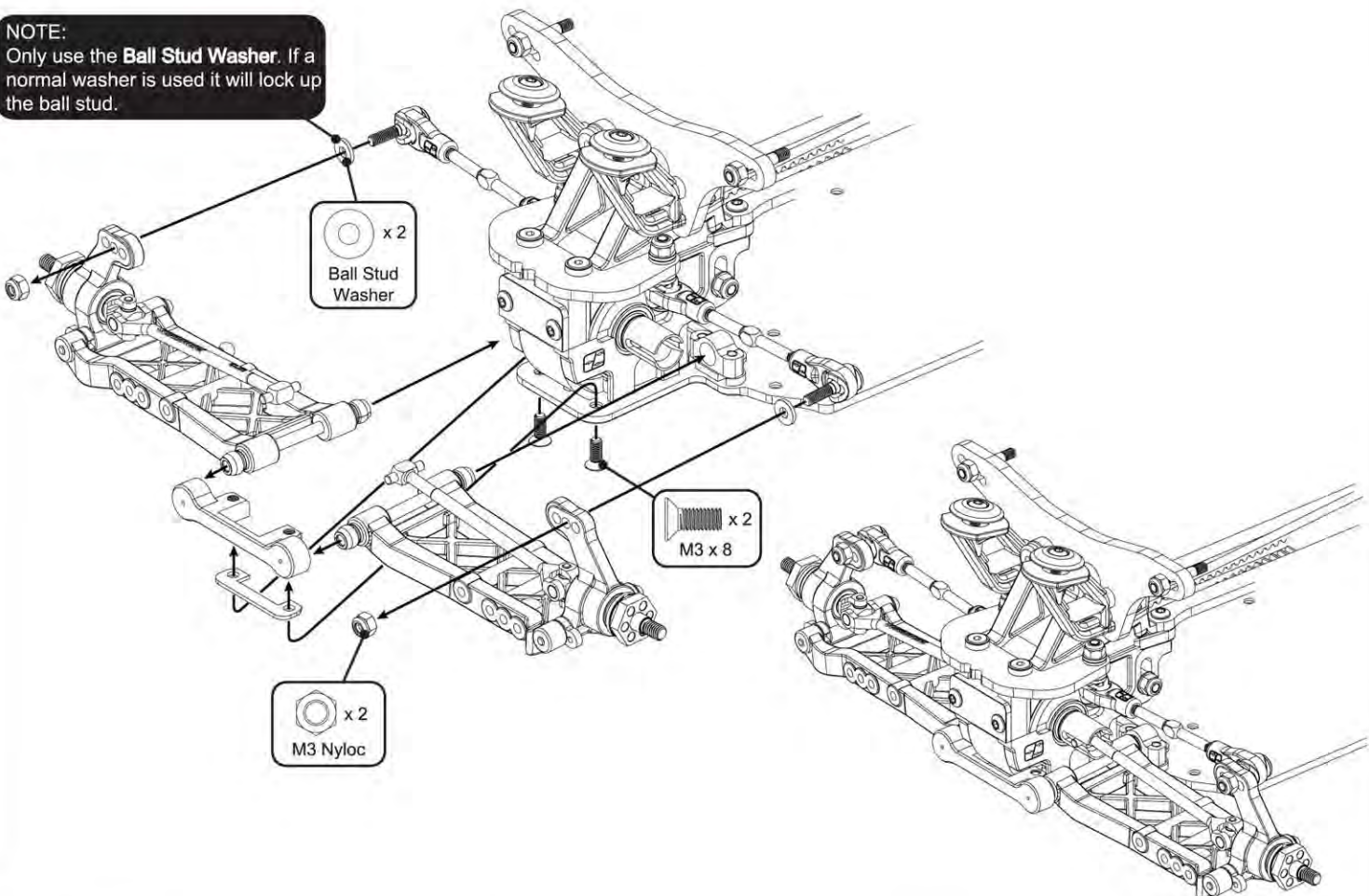
RIGHTHAND SIDE.

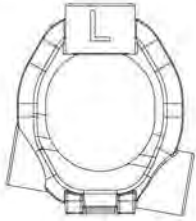




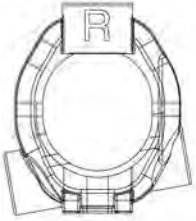
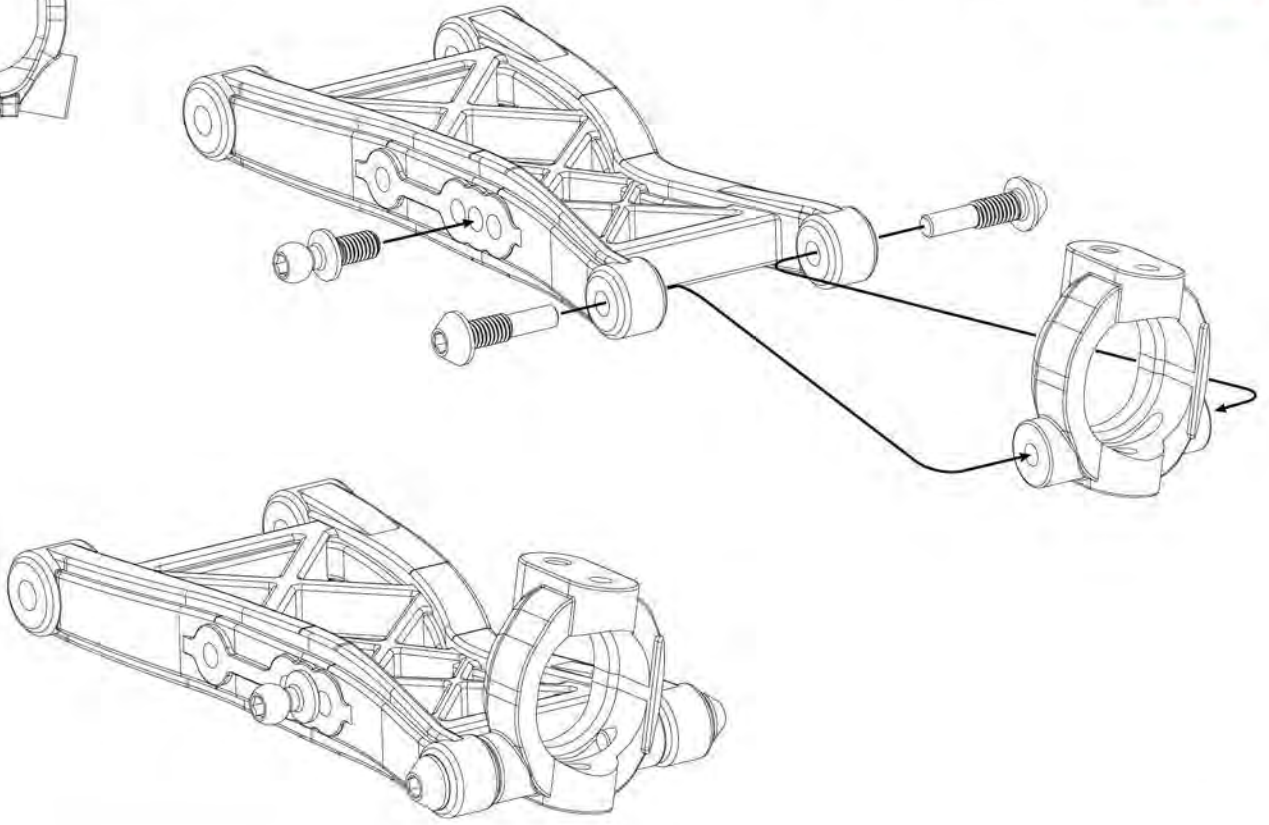
Step 22 B

NOTE:
Only use the **Ball Stud Washer**. If a normal washer is used it will lock up the ball stud.

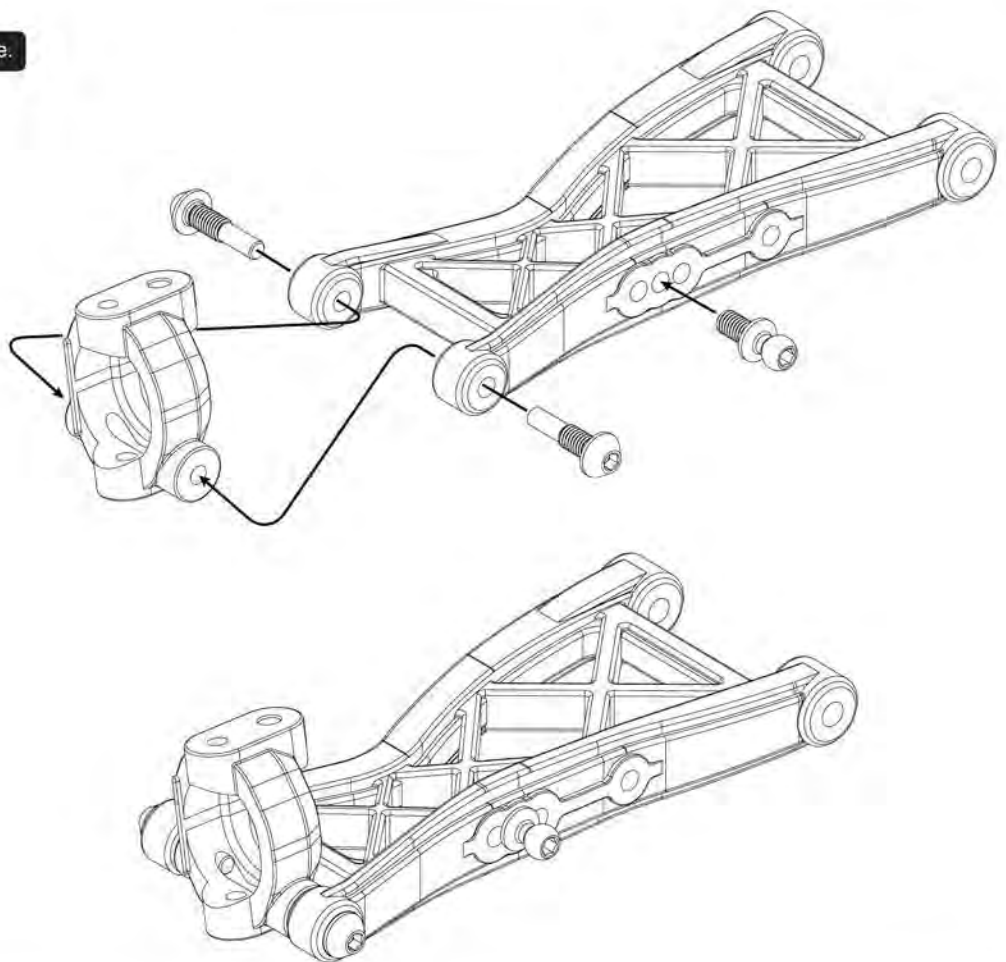




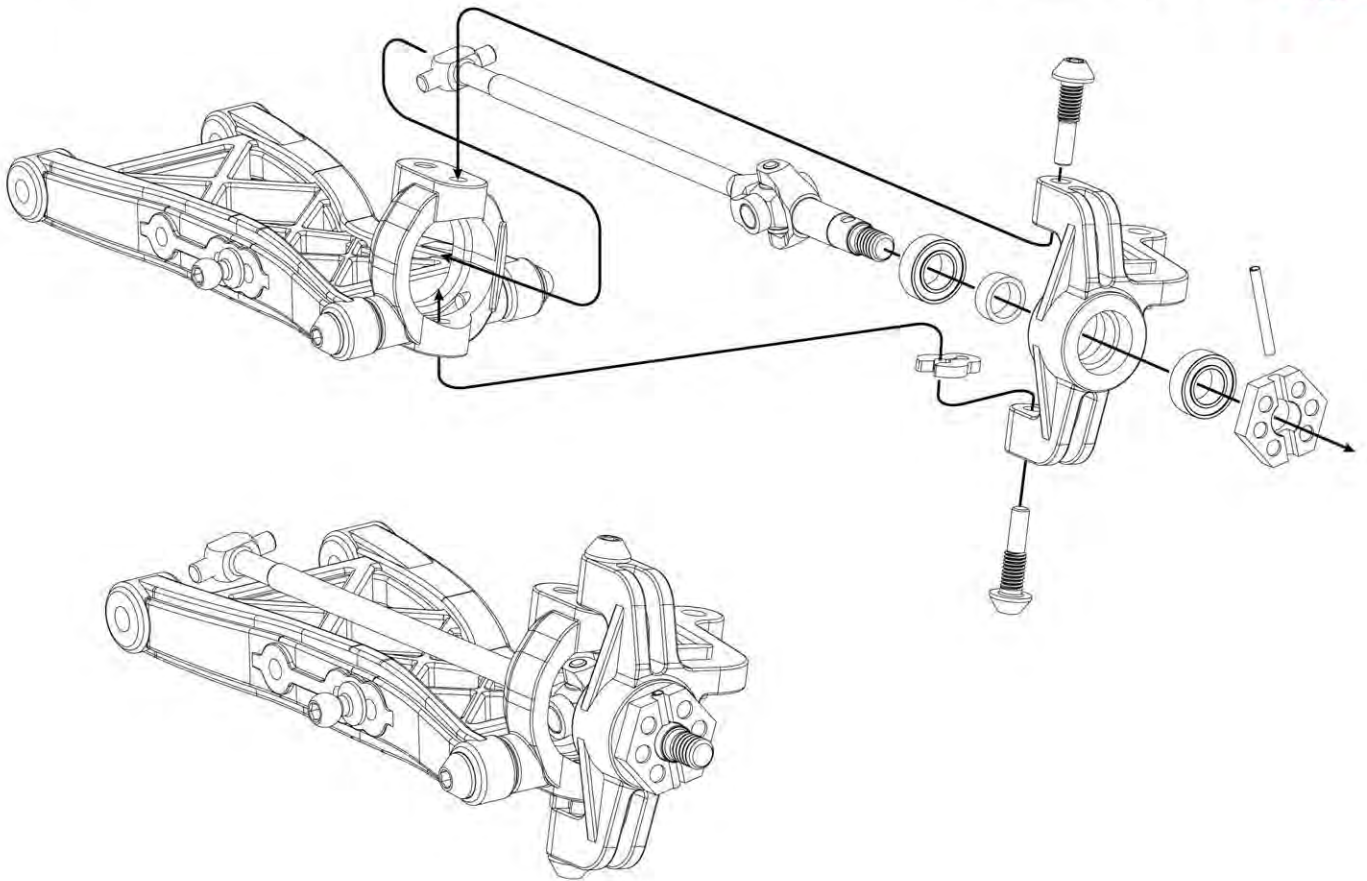
Left side.



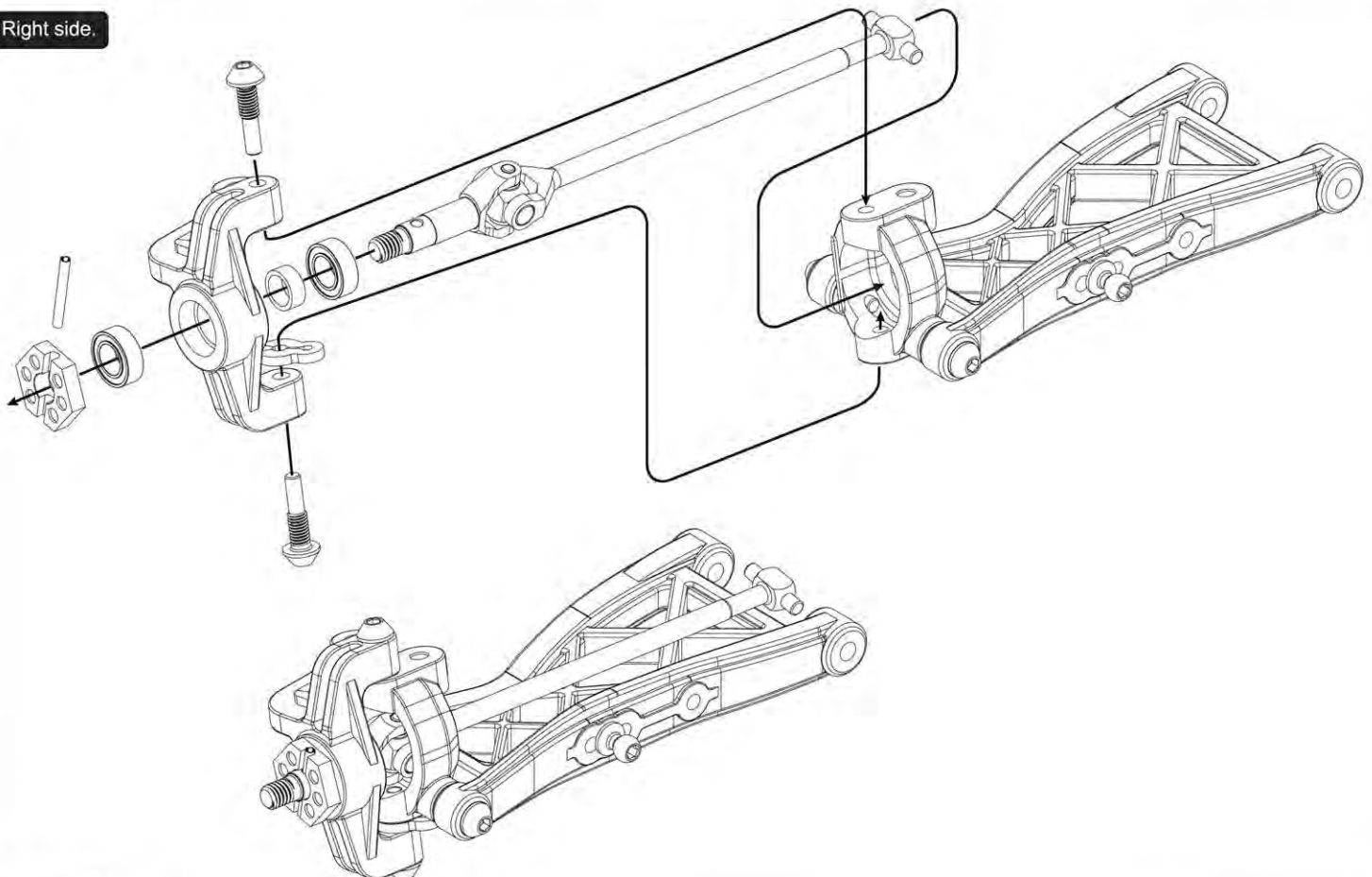
Right side.

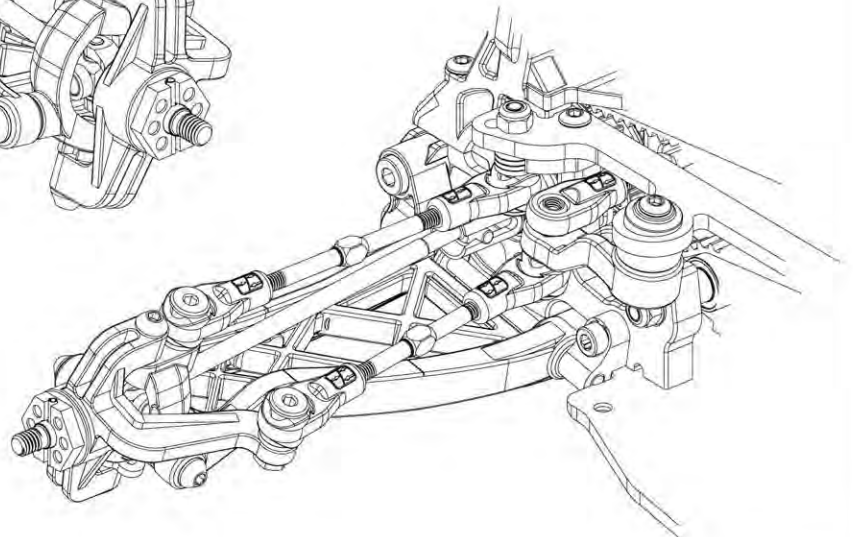
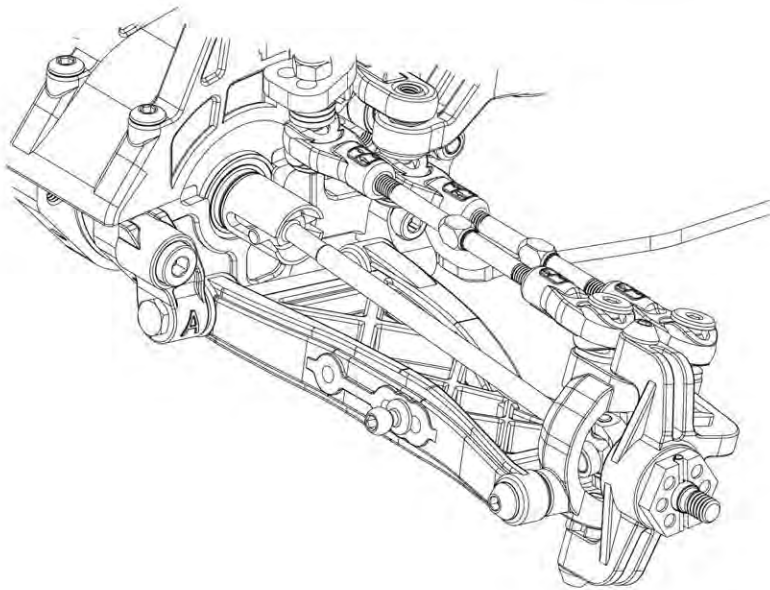
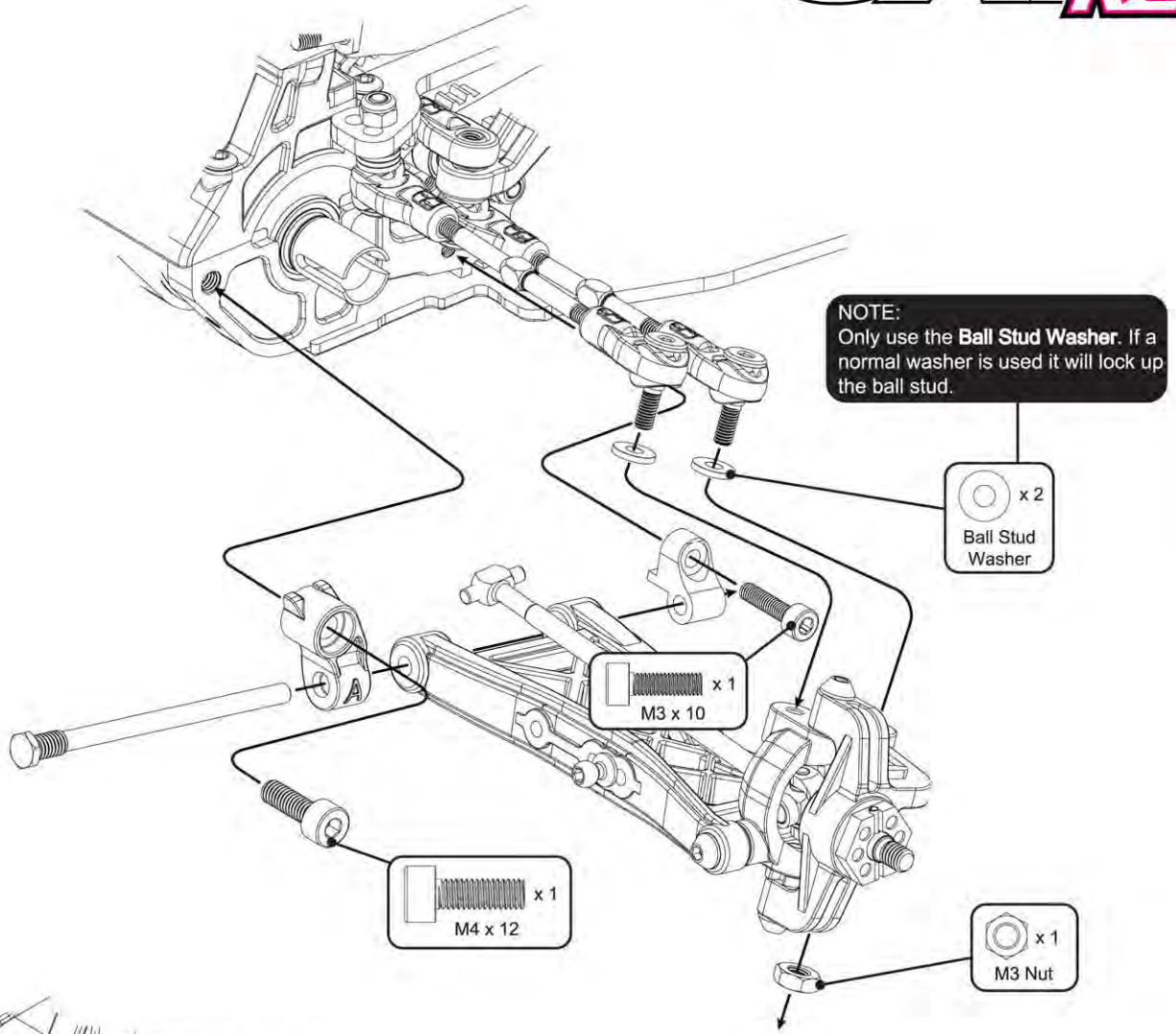


Left side.



Right side.





ELECTRIC - OFF ROAD CARS

K159 CAT K2 - Kit
K160 CAT K2 - Assembled

CHASSIS PARTS

U119 Aerial Tube - Pack 4
U122 Velcro 1/2metrex16mm.
U3850 Wing Mount Set - Off Road
U4138 C/F Link Mount; Rear 38mm Kit - CAT K1/KF
U4142 Bumpers & Diff Covers - CAT K1
U4146 Front Transmission Brace - CAT K1
U4476 C/F Rear shock Mount - Cougar KF
U4505 C/F Front Shock Mount - CAT K1 Aero
U4735 Side Pods - CAT K2
U4741 6mm Offset Servo Horns
U4746 Alloy Chassis - CAT K2
U4759 Chassis Brace - CAT K2
U4764 Lipo Posts - CAT K2 - (1pr)
U4765 Lipo Post Nut - CAT K2 - (2pcs)
U4766 C/F Front Topdeck - CAT K2 - (2pcs)
U4767 C/F Rear Topdeck - CAT K2 - (2pcs)
U4768 C/F Saddle Lipo Strap - CAT K2 - (2pcs)
U4773 Aerial Mount - CAT K2
U4778 LiPo Stops - CAT K2 - (4pcs)
U4782 Instruction Manual - CAT K2

BODYSHELLS AND DECALS

U3478 Decal sheet - Schumacher and Racing-Cars.Com (pk3)
U4781 Decal Sheet - CAT K2
U5128 Body Shell + Decal + Window Mask - CAT K2
U5129 Claw Wing & Insert - Clear
U5130 Claw Wing & Insert - White
U5131 Claw Wing & Insert - Black
U5132 Claw Wing & Insert - Carbon

SUSPENSION

U3137 Shock Mounting Post - (pr)
U3300 Hub Carrier; Front - CAT SX pr
U3305 Pivot Pin; Screw Type 12mm pr
U3311 Axle Spacers - 2prs
U3407 Wishbone; Front Med Flex - CAT SX pr
U3708 Quick Clip 2.4mm - Cougar SV pk4
U3719 Pivot Pin; 45mm - Cougar SV
U3729 WishbonePivot Spheres - Cougar SV pk4
U4036 Hub Carrier; Rear 0deg - Cat/Cougar pr
U4055 Wishbones; Rear Kit - Cougar SV2
U4223 Turnbuckle Adjuster HTT - 45mm - pr
U4274 Pro Ball Stud Short - pk4
U4298 Turnbuckle HT - Touring 35mm - 1pr
U4299 Turnbuckle HT - Touring 52mm - 1pr
U4489 Nut Guard Rear - Cougar KF/K1 Aero
U4497 Nut Guard Front - K1 Aero
U4683 Suspension Block RH - KF2
U4684 Suspension Block LH - KF2
U4685 Anti-squat Spacers - KF2
U4686 Rear Suspension Strap - KF2
U4689 Steering Pivots Short - KF2
U4736 Ball Stud Washer -CAT K2 - (8pcs)
U4737 Captive Ball Joint Short - CAT K2 - (4pcs)
U4738 Captive Ball Joint long - CAT K2 - (4pcs)
U4739 Captive Ball Joint Ultra Long - CAT K2 - (4pcs)
U4742 Steering Mouldings - CAT K2
U4743 Short Socket & Balls - CAT K2 - (pk4)
U4745 10Deg Yokes - CAT K2
U4760 Inboard Front Pivot Pin - CAT K2 (pr)
U4761 Front Pivot Block Steel - CAT K2
U4775 Pivot Ball 5.5mm - (4pcs)
U4783 HD Rear Outboard Pin - CAT K2 - (pr)
U4798 Front Pivot Blocks A & B - Cat K2 - (pr)

TRANSMISSION

U2761 Diff Shims; 10x12 (pk8)
U3351 Gear; 83t Spur - Slipper
U3361 Roll Pins Set 2x3/8+4x1/2 - CAT SX
U3364 Slipper Pad; PTFE Octagon pr
U3599 Driveshafts; Front - CAT SX2/SX3/K1 pr
U4124 SPEED PACK - Shims 5 x 7 x 0.4mm - pk6
U4174 Gear Diff Assembled - K1/KF
U4175 Gear Diff Mouldings - K1/KF
U4176 Gear Diff Gear Set - K1/KF
U4177 Gear Diff Rebuild Kit - K1/KF
U4178 Gear Diff Output - K1/KF
U4195 Driveshafts; Rear - K1/KF pr
U4207 Belt Spacer 20T - CAT K1
U4388 Alloy Wheel Hex Rear - Off Road - pr
U4468 Belt Adjuster - Cougar KF
U4488 12mm Hex Drive Pins - Off Road
U4507 Alloy Wheel Hex Front - CAT K1 Aero - pr
U4668 Rear Dirt Covers - KF2
U4669 Layshaft - KF2



TRANSMISSION Cont....

U4670 Slipper Cage - KF2
U4671 Mid Slipper Plate - KF2
U4672 Alloy Outer Slipper Plate - KF2
U4673 Slipper Spring- KF2
U4674 Slipper Spring Bush - KF2
U4675 Layshaft Spacer_KF2
U4705 Alloy Inner Slipper Plate - KF2
U4712 Diff O-Rings - CAT,KF,KF2,Mi5,Mi5evo
U4744 Gear Cover Mouldings - CAT K2
U4747 Left Laymount - CAT K2
U4748 Right Laymount - CAT K2
U4749 Motor Plate - CAT K2
U4750 Lower Trans Hsg Rear LH - CAT K2
U4751 Lower Trans Hsg Rear RH - CAT K2
U4752 Lower Trans Hsg Front LH - CAT K2
U4753 Lower Trans Hsg Front RH - CAT K2
U4754 Bando Belt 4mm x 166T - CAT K2
U4755 Bando Belt 4mm x 96T - CAT K2
U4756 20T Pulley - CAT K2
U4757 25T Side Gear - CAT K2
U4758 35T Side Gear - CAT K2
U4762 Idler Shaft - CAT K2
U4763 Idler Shaft Retainer - CAT K2
U4769 Upper Trans Housings - CAT K2
U4770 Belt Idler Post - CAT K2
U4771 20T Pulley Fences - CAT K2 (pr)

BEARINGS AND BALLS

G200 ZX1 - Microlube
H1031 Bearing Blaster Aerosol 500ml
U1300 Axle Grease - Pot
U1301 Silicone Diff Lube - Pot
U1957 Moly Grease - Pot
U2495 Ball Bearing - 5x9x3 Flanged (pr)
U2698 Ball Bearing - 5x10x4 Red Sealed (pr)
U2699 Ball Bearing - 10x15x4 Red Sealed (pr)
U3075 Ball Bearing 4x8x3mm Red Sealed (pr)
U3136 Ball Bearing - 5x8x2.5 - Shielded (pr)
U3871 Ball Bearing 5x9x3 Red Seal (pr)

SPEED PACKS

CR024 CORE RC - Serrated M4 Steel Wheel Nut pk4
CR035 CORE RC - Serrated Alloy M4 Nuts; Blue pk 4
CR036 CORE RC - Serrated Alloy M4 Nuts; Violet pk 4
CR060 Small Body Clip 1/10 - Gloss Black (8)
CR061 Small Body Clip 1/10 - Silver (8)
CR062 Small Body Clip 1/10 - Gold (8)
CR063 Small Body Clip 1/10 - Fluorescent Yellow (8)
CR064 Small Body Clip 1/10 - Fluorescent Green (8)
CR065 Small Body Clip 1/10 - Fluorescent Red (8)
CR066 Small Body Clip 1/10 - Metallic Green (8)
CR067 Small Body Clip 1/10 - Metallic Red (8)
CR068 Small Body Clip 1/10 - Metallic Blue (8)
CR069 Small Body Clip 1/10 - Metallic Purple (8)
CR196 Core RC - Serrated Alloy M4 Nuts - Black - pk4
U1544 SPEED PACK - Short M3; Cap Hd
U1547 SPEED PACK - M3 Nuts
U1548 SPEED PACK - M3 Washers
U1550 SPEED PACK - Socket Wrenches (pk3)
U1551 SPEED PACK - E Clips -2 x 8pcs
U1552 SPEED PACK - R Clips
U1606 SPEED PACK - Servo Tape - 30pk
U1633 SPEED PACK - Small Pins (pk)
U1960 SPEED PACK - O Rings; Various
U2128 SPEED PACK - Grub-Set Screws M3 M4
U2187 SPEED PACK - M3 Nyloc Nut - Purple Alloy (pk8)
U2356 SPEED PACK - M3x16-30 Csk Screws (pk12)
U2631 SPEED PACK - Circlips Various 15 pcs
U2760 SPEED PACK - M3 Button Hd; 4 to 20
U2856 SPEED PACK - Sticky Cable Clips (pk10)
U2857 SPEED PACK - Small Cable Ties (pk25)
U2988 SPEED PACK - M3 Csk Washers - Purple Alloy (pk10)
U3022 SPEED PACK - M3x8 Csk Allen Hi-T
U3023 SPEED PACK - M3x10 Csk Allen Hi-T
U3024 SPEED PACK - M3x12 Csk - M3 x 10 Button Screws
U3131 SPEED PACK Alloy Spacers M3x7mm 0.5;1;2mm (pk18)
U3572 SPEED PACK - M3x14 Grub Srew pk4
U3583 SPEED PACK - M4x12 Cap Hd pk 8
U3584 SPEED PACK Alloy Spacers M4x9mm 0.5;1;2mm (pk10)
U3938 SPEED PACK - Black nylon washer 2mm (pk 10)
U4124 SPEED PACK - Shims 5 x 7 x 0.4mm - pk6
U4155 SPEED PACK - M3 Csk Washers - Black Alloy (pk10)
U4157 SPEED PACK - M3 x 25 Button Hd (4 pcs)
U4210 SPEED PACK - Pinion Grub Screw Set pk10
U4241 SPEED PACK - M3 Alloy Nyloc Nuts - Black - pk10
U4314 SPEED PACK - Alloy Black M3 Washers - 16pc
U4351 SPEED PACK - Shims 3.2x6x0.1mm - pk8
U4650 SPEED PACK - M3 Nyloc Nut Steel - Black (10pcs)

SPEED SECRET - OPTION PARTS

CR280	Ti Pro Ball Studs - Short - pr
CR465	Alloy Offset Servo Arm 23T
CR466	Alloy Offset Servo Arm 25T
MP14276	MIP - Puck Outdrive Male - KF/K1
MP14277	MIP - Puck Outdrive Female - KF/K1
MP14280	MIP - Puck Drive System - Gear Diff - KF
MPPUCK1	MIP - Puck Drive System - Ball Diff KF
U1573	Titanium Turnbuckle; purple - 53mm (pr)
U1905	Titanium Turnbuckle; purple - 35mm (pr)
U1954	Pro - Thrust Bearing
U2566	Titanium Turnbuckle - 45mm (pr)
U3019	Diff Balls; Ceramic Nitride 2.5mm (pk12)
U3499	Roll Bar Blocks - Mi4 pk4
U3556	Pivot Block M4; Front 10 degree - CAT pr
U3597	Wishbones; Front -Stiff - CAT SX2 pr
U3605	Alloy Rear Hubs; 1 deg - CAT/Cougar
U3611	Alloy Spring Seat - All shock types pr
U3852	Diff Output; Male - SX3/K1/KF ball diffs
U3853	Diff Output; Female - SX3/K1/KF ball diffs
U3855	Ball Bearing 5x10x3 Open (pr)
U4054	Wishbones Rear Medium - Cougar SV2
U4130	Vented Shock Caps - Small Bore - (Pr)
U4158	M4 x12 Alloy Cap Hd Purple (4 pcs)
U4169	C/F Link Mount; Rear 33.50mm - K1/KF
U4170	C/F Link Mount; Rear 42.50mm - K1/KF
U4196	Ball Diff Pulley & Fences - K1/KF
U4199	Ball Diff HD (Heavy Duty)- Assembled - K1/KF
U4209	Vented Shock Caps - Big Bore - (pr)
U4217	Vented Shock Cap Service Kit-Small/Big Bore pr
U4350	Shims 5x7x0.1mm - pk8
U4509	Hex to Pin Drive Conversion - CAT K1 Aero
U4615	Alloy Upper Rear Trans Reverser - KF/K1/Aero
U4616	Alloy Upper Rear Trans Housing V2 - KF/K1/Aero
U4640	Alloy Rear Link Mount - 2WD/4WD
U4772	Front Roll Bar Set - CAT K2
U4774	Alloy Lipo Nut - CAT K2 - (2pcs)
U4776	Alloy Radius Arms - CAT K2
U4777	C/F Chassis - CAT K2
U4779	Transverse Shorty LiPo Strap - CAT K2
U4780	Rear Roll Bar Set - CAT K2
U4784	Alloy Yokes 7.5Deg - CAT K2
U4785	Alloy Front Upper Trans - CAT K2 (pr)
U4786	Roche Driveshaft - CAT K2 - (pr)
U4787	Fan Mount Kit - CAT K2
U4789	FAB Front Adjustable Brake - CAT K2
U4790	FAB Front Pulley & One Way Bearing - CAT K2
U4791	FAB Idler Shaft - CAT K2
U4792	FAB Rear Pulley - CAT K2
U4793	FAB Fences - CAT K2
U4794	FAB Washers P.T.F.E - CAT K2 - (2 pcs)
U4800	Black Rear Roll Bar Ball - CAT K2 - (2pcs)

SHOCK ABSORBERS

U2994	Violet Shock Adjuster (Small Bore Springs) (pr)
U2999	Small Bore Shock Seal Rebuild Kit
U3317	Small Bore Shock Body V2 (Front) - Off Road - pr
U3318	Small Bore Shock Body V2 (Rear) - Off Road - pr
U3319	Small Bore Piston 2 Hole (CNC) - Off Road - pr
U3320	Small Bore Piston 3 Hole (CNC) - Off Road - pr
U3321	Small Bore Shock Rod (Front) - Off Road - pr
U3322	Small Bore Shock Rod (Rear) - Off Road - pr
U3323	Small Bore Shock Seal Hsg (Black) - Off Road - pr
U3324	Small Bore Shock Top Cap (Purple) - Off Road - pr
U4125	Small Bore Taper Piston 1.2mm - White pr
U4126	Small Bore Taper Piston 1.3mm - Black pr
U4127	Small Bore Taper Piston 1.4mm - Red pr
U4130	Vented Shock Caps - Small Bore - (Pr)
U4149	Small Bore Adjuster - Big Bore Springs - pr
U4150	Small Bore Shock Seal Hsg (Black) - Off Road - pr
U4151	Small Bore Shock Top Cap (Black) - Off Road pr
U4152	Small Bore Shocks; Fr Off Road V2 - Assembled
U4153	Small Bore Shocks; Rr Off Road V2 - Assembled

BIG BORE SHOCKS

U3667	Big Bore Shock; Seal Rebuild Kit - Off Rd pr
U3668	Big Bore Shock Rods; Med pr
U3669	Big Bore Shock Rods; Long pr
U3670	Big Bore Shock; 2 Hole Pistons pr
U3671	Big Bore Shock; 4 Hole Pistons pr
U3672	Big Bore Shock; 6 Hole Pistons pr
U3770	Big Bore Rounded Pistons; 3 Hole (White) pr
U3771	Big Bore Rounded Pistons; 5 Hole pr
U3782	HD Diaphragm Big Bore - pk4
U3937	Shock Mouldings
U4110	Off Road Shock O Ring 1/8 Silicone Pk 8
U4209	Vented Shock Caps - Big Bore - (pr)
U4285	Pro Shock Seal Blue - On Road - pk8
U4370	Big Bore Shock Cap (Black) - pr

BIG BORE SHOCKS Cont...

U4371	Big Bore Shock Adjusting Collar (Black) - pr
U4451	Big Bore Shock Collar O-ring - pk4
U4490	Big Bore Shock Body Med V2 pr
U4491	Big Bore Shock Body Long V2 pr
U4492	Big Bore Shocks Med V2 - Assembled
U4493	Big Bore Shocks Long V2 - Assembled
U4702	Shock Seal Housing V2 - Big Bore - (pr)
U4707	Short Ball Grippa - Grey (pk8)

SHOCK AND DIFF OIL

CR200	CORE RC Silicone Oil - 100cSt - 60ml
CR201	CORE RC Silicone Oil - 150cSt - 60ml
CR202	CORE RC Silicone Oil - 200cSt - 60ml
CR203	CORE RC Silicone Oil - 250cSt - 60ml
CR204	CORE RC Silicone Oil - 300cSt - 60ml
CR205	CORE RC Silicone Oil - 350cSt - 60ml
CR206	CORE RC Silicone Oil - 400cSt - 60ml
CR207	CORE RC Silicone Oil - 450cSt - 60ml
CR208	CORE RC Silicone Oil - 500cSt - 60ml
CR209	CORE RC Silicone Oil - 550cSt - 60ml
CR210	CORE RC Silicone Oil - 600cSt - 60ml
CR211	CORE RC Silicone Oil - 700cSt - 60ml
CR212	CORE RC Silicone Oil - 800cSt - 60ml
CR213	CORE RC Silicone Oil - 900cSt - 60ml
CR214	CORE RC Silicone Oil - 1000cSt - 60ml
CR215	CORE RC Silicone Oil - 1300cSt - 60ml
CR216	CORE RC Silicone Oil - 2000cSt - 60ml
CR217	CORE RC Silicone Oil - 3000cSt - 60ml
CR218	CORE RC Silicone Oil - 4000cSt - 60ml
CR219	CORE RC Silicone Oil - 5000cSt - 60ml
CR220	CORE RC Silicone Oil - 6000cSt - 60ml
CR221	CORE RC Silicone Oil - 7000cSt - 60ml
CR222	CORE RC Silicone Oil - 10000cSt - 60ml
CR223	CORE RC Silicone Oil - 20000cSt - 60ml
CR224	CORE RC Silicone Oil - 30000cSt - 60ml
CR225	CORE RC Silicone Oil - 40000cSt - 60ml
CR226	CORE RC Silicone Oil - 50000cSt - 60ml
CR227	CORE RC Silicone Oil - 100000cSt - 60ml
CR228	CORE RC Silicone Oil - 300000cSt - 60ml
CR229	CORE RC Silicone Oil - 12000cSt - 60ml
CR230	CORE RC Silicone Oil - 15000cSt - 60ml

BIG BORE SPRINGS

CR177	CORE RC Big Bore Spring Tuning Set; Med 5prs
CR178	CORE RC Big Bore Spring Tuning Set; Long 5prs
CR179	Big Bore Spring; Med White - 2.8 pr
CR180	Big Bore Spring; Med Red - 3.1 pr
CR181	Big Bore Spring; Med Green - 3.4 pr
CR182	Big Bore Spring; Med Blue - 3.7 pr
CR183	Big Bore Spring; Med Black - 4.0 pr
CR184	Big Bore Spring; Long White - 1.8 pr
CR185	Big Bore Spring; Long Red - 2.0 pr
CR186	Big Bore Spring; Long Green - 2.2 pr
CR187	Big Bore Spring; Long Blue - 2.4 pr
CR188	Big Bore Spring; Long Black - 2.6 pr
CR190	CORE RC Spring Seat - Big Bore to 13mm (4)
CR191	CORE RC Spring Seat - Big Bore to 14mm (4)
U3673	Big Bore Spring Tuning Set; Med 7prs
U3674	Big Bore Spring Tuning Set; Long 6prs
U3675	Big Bore Spring; Med - 2.0 pr
U3676	Big Bore Spring; Med - 2.5 pr
U3677	Big Bore Spring; Med - 3.0 pr
U3678	Big Bore Spring; Med - 3.5 pr
U3679	Big Bore Spring; Med - 4.0 pr
U3680	Big Bore Spring; Med - 4.5 pr
U3681	Big Bore Spring; Med - 5.0 pr
U3682	Big Bore Spring; Long - 1.6 pr
U3683	Big Bore Spring; Long - 2.0 pr
U3684	Big Bore Spring; Long - 2.5 pr
U3685	Big Bore Spring; Long - 3.0 pr
U3686	Big Bore Spring; Long - 3.5 pr
U3687	Big Bore Spring; Long - 4.0 pr

PINIONS

CRW2001	Pinion Caddy
MR-PINION	MR33 Pinion Gear Holder
U2305	16T Steel Pinion - 48 D.P.
U2306	17T Steel Pinion - 48 D.P.
U2307	18T Steel Pinion - 48 D.P.
U2308	19T Steel Pinion - 48 D.P.
U2309	20T Steel Pinion - 48 D.P.
U2310	21T Steel Pinion - 48 D.P.
U2311	22T Steel Pinion - 48 D.P.
U2312	23T Steel Pinion - 48 D.P.
U2313	24T Steel Pinion - 48 D.P.

PINIONS Cont....

U2314	25T Steel Pinion - 48 D.P.
U2315	26T Steel Pinion - 48 D.P.
U2316	27T Steel Pinion - 48 D.P.
U3414	Pinion; Hard Alloy 48dp - 14T
U3415	Pinion; Hard Alloy 48dp - 15T
U3416	Pinion; Hard Alloy 48dp - 16T
U3417	Pinion; Hard Alloy 48dp - 17T
U3418	Pinion; Hard Alloy 48dp - 18T
U3419	Pinion; Hard Alloy 48dp - 19T
U3420	Pinion; Hard Alloy 48dp - 20T
U3421	Pinion; Hard Alloy 48dp - 21T
U3422	Pinion; Hard Alloy 48dp - 22T
U3423	Pinion; Hard Alloy 48dp - 23T
U3424	Pinion; Hard Alloy 48dp - 24T
U3425	Pinion; Hard Alloy 48dp - 25T
U3426	Pinion; Hard Alloy 48dp - 26T
U3427	Pinion; Hard Alloy 48dp - 27T

ELECTRONICS

CR162	CORE RC Sensor Checking Widget
CR195	Portable Emergency 60W Soldering Iron
ED199502	EDS Ultra Bright L.E.D. Light Stand
SK-500014	Multi-Functions Motor Dyno
SK-500015	Corner Weight System
SK-600074	LED Pit Light 6.4-18V DC

SERVO

CR496	CORE RC - 9008TG Digital Servo 9Kg .08 Sec
CR497	CORE RC - 1012TG Digital Servo 10Kg .12 Sec
HSDR420	Servo (Speed) 1/10 .07s 6.2kg
HSDS1000	Servo (Speed) - 1/10 .08s 10.2kg
HSDS400	Servo (Speed) 1/10 .09s 7.2kg
HSDS700	Servo (Speed) 1/10 .08s 9.9kg
HSDT450	Servo (Torque) 1/10 .11s 7.9kg
HSDT750	Servo (Torque) 1/10 HV .12s 13.8kg
KO30049	Servo - PDS-2501ICS - .12 - 7.4Kg
KO30050	Servo - PDS-2502ICS - .15 - 8.3Kg
KO30051	Servo - PDS-2511ICS - .13 - 9.6Kg
KO30052	Servo - PDS-2512ICS - .16 - 10.8Kg
KO30061	Servo - PDS-2532ICS Red - .16 - 10.8Kg
KO30106	Servo - RSx2 Response HC - .07 - 14.5Kg
KO30108	Servo - RSx2 Response - .07 - 14.5Kg
KO30201	Servo - BSx2 Response HC - .09 - 15.4Kg
KO30202	Servo - BSx2 Power HC - .15 - 21Kg
KO30203	Servo - BSx2 Response - .09 - 15.4Kg

TRANSMITTERS AND RECEIVERS

CR151	CODE 2.4G FHSS LCD 2 Stick TxRx
CR152	CODE 2.4G FHSS LCD - Rx Only
CR153	CODE 2.4G FHSS Sport 2 Stick TxRx
CR154	CODE 2.4G FHSS Sport - Rx Only
CR277	Code 2.4G FHSS Steerwheel Radio TxRx
CR278	Code 2.4G FHSS - Rx Only
KO80540	EX-1 Ver 3 (KIY) KR-413FH Set - TX + RX
KO80561	EX-2 Standard Edition
KO80700	Esprit IV - Stick Radio Set

CHARGERS AND DISCHARGERS

CR031	UDC Charger Connector Set - 8pcs
CR114	UDC Balance Adaptor Set JST-XH to JST-EH 2-6S
CR161	UAC50 Charger 12v/110-240v 6A
NR91400	Sigma Power Charger
NR91555	Stealth Touch Evolution Charger
NR93160	Nosram Power Supply 13.8V / 20A
NR95815	Nosram Universal Charging Lead-Tamiya/JST Plug
NR95816	Nosram Universal Chg Lead-2S Lipo H/Case/Bal Adpt
NR95817	Nosram Universal Chg Lead- US-Style Plug
SK-100013	SKY RC - Quattro B6 Charger 50Wx4 AC/DC
SK-100046	Sky-RC Quattro B6 Charger 80Wx4 DC
SK-100064	T6755 Charger 7A 55W AC/DC Touch Screen
SK-100068-01	SKY RC 6 x 80+ Charger Blue Version
SK-100069	Synchronous DC Charger 1000W 40A
SK-100072	T6200 Charger 12A 200W DC Touch Screen
SK-100078-01	SKY RC RS16 - 180W 16A DC Charger
SK-100084	Imax B6 Mini Charger 6A 60W DC
SK-100087	Ultimate Duo Charger 700Wx2 - 30A DC
SK-100089	D100 Dual Charger 100W AC or 2x100W DC - 10A
SK-100097	D200 AC/DC Dual Charger 200W 20A + soldering iron
SK-200013-01	eFuel 30A 540W Power Supply
SK-200015	eFuel 50A 1200W Power Supply
SK-200017-01	SKY RC 17A Power Supply (UK Plug)
TP1201P	100-240V AC - 12V DC, 1.0A Switching Adaptor TP103
TP1205P	100-240V AC-12V DC, 5.0A Switching Adaptor
TP14SAB-TPJXH	Balance Conn Adaptor 2S-14S JST-XH - TP1430C
TP205V	Thunder Power 2-5 Cell Lipo Smart Balancer
TP610C	Thunder Power 10 Amp DC Balance Charger
TP610C-ACDC	Thunder Power 10 Amp AC/DC Balance Charger

CHARGERS AND DISCHARGERS Cont....

TP610C-BL2	Balance Conn Adaptor 2S/6S JST-XH 610C-ADC
TP820CD	Dual Port 20A DC charger/Cycler
TP8SAB-TPJXH	Balance Conn Adaptor Board 2S-8S JST-XH 820CD
TPDLC-250A	Thunder Power Balancer to Charger Data Link Cable

BRUSHLESS MOTORS

HW30401020043	XERUN - 1/10 Sensored BL Motor V10 - 5.5T
HW30401020044	XERUN - 1/10 Sensored BL Motor V10 - 6.5T
HW30401020045	XERUN - 1/10 Sensored BL Motor V10 - 8.5T
HW30401020064	XERUN - 1/10 Sensored BL Motor V10 - 7.5T
HW90040160	XERUN-1/10 Sensored BL Motor 5.5T
HW90040170	XERUN-1/10 Sensored BL Motor 6.5T
NR90648	Nosram Pure 2 BL - 10.5T
NR90649	Nosram Pure 2 BL - 9.5T
NR90654	Nosram Pure 2 BL - 8.5T
NR90664	Nosram Pure 2 BL - 7.5T
NR90674	Nosram Pure 2 BL - 6.5T
NR90684	Nosram Pure 2 BL - 5.5T
SK-400003-23	ARES Pro BL Motor 5.5T
SK-400003-24	ARES Pro BL Motor 6.5T
SK-400003-25	ARES Pro BL Motor 7.5T
SK-400003-26	ARES Pro BL Motor 8.5T
SK-400003-27	ARES Pro BL Motor 9.5T
SP000149	1/10 Competition MMM Series 5.5R BL Motor
SP000259	Speed Passion V3.0 Comp BL Motor-6.0T
SP001224	Speed Passion Comp V4.0 Motor 5.5T
SP001226	Speed Passion Comp V4.0 Motor 6.5T
SP001227	Speed Passion Comp V4.0 Motor 7.5T
SP001228	Speed Passion Comp V4.0 Motor 8.5T
SP001229	Speed Passion Comp V4.0 Motor 9.5T
SP13855V3	Speed Passion V3.0 Comp BL Motor; 5.5T
SP13865V3	Speed Passion V3.0 Comp BL Motor; 6.5T
SP13875V3	Speed Passion V3.0 Comp BL Motor; 7.5T
SP13885V3	Speed Passion V3.0 Comp BL Motor; 8.5T
TPM-540A055	Thunder Power 5.5T Modified 540 BL Motor
TPM-540A060	Thunder Power 6.0T Modified 540 BL Motor
TPM-540A065	Thunder Power 6.5T Modified 540 BL Motor
TPM-540A075	Thunder Power 7.5T Modified 540 BL Motor
TPM-540A085	Thunder Power 8.5T Modified 540 BL Motor
TPM-540A095	Thunder Power 9.5T Modified 540 BL Motor

BRUSHLESS ACCESSORIES

CR133	Core Sensor Lead; 80mm
CR134	Core Sensor Lead; 180mm
CR253	110mm Flat Bonded Flex Sensor Wire
CR254	150mm Flat Bonded Flex Sensor Wire
CR255	200mm Flat Bonded Flex Sensor Wire
CR256	270mm Flat Bonded Flex Sensor Wire
HW2361200	XERUN - Sensor Cable - 120mm
HW2362000	XERUN - Sensor Cable - 200mm
HW30502000014	XERUN-EZRUN-Multifunction LCD Program Box
HW30860200010	XERUN 13000rpm Fan-2510SH-5v/0.16A for 2s
HW86020010	XERUN-EZRUN - Program Card for ESC
HW86030030	XERUN - Capacitors
HW86080120	EZRUN - Heat Sink with Fan for 3660,3674 motors
HW86080130	EZRUN - Heat Sink with Fan for 4465 motors
HW86080150	XERUN Large Fan 3010HB-5V/0.18A for 2s
MR-FAN PROTECTOR	MR33 25mm Fan Protector
NR90644	PURE Evo Tuning Sintered Rotor - 12.0mm
NR92501	USB Bridge Spec2 - Speedo Firmware Update Device
NR92512	Cooling Fan; Low Profile - Include Mounting Screws
NR925307	NOSRAM Sensor Wire HighFlex 70mm
NR925315	NOSRAM Sensor Wire HighFlex 150mm
NR925320	NOSRAM Sensor Wire HighFlex 200mm
SK-300046-01	Program Box
SP000007	Multi LED Program Card Version 2.0
SP000008	Reventon Blue-Tooth" Module"
SP000029	Sensor Unit +20 Timing"for V3.0 Motor-Green Color"
SP000034	Sensor Unit +10 Timing" for V3.0 Motor-Red Color"
SP000041	Sensor Unit for V3.0 - 4.0T/5.0T Motor
SP000059	Sensor Unit +40 Timing for V3.0 Motor Blue
SP001130	Reventon PRO 1.1 Fan
SP162801	SP - Sensor Cable 180mm
SP162802	SP - Sensor Cable 90mm
SP162810	SP - HiPower Solder Post; 3pcs
SP162820	SP - HiPower Connector; V3.0 Motors 3pcs
SP1EB01	SP Endbell; Fixed Timing V3.0
SPAMSSC3M	SP - Super Capacitor 3 Farads 6 Volt rated
SPRM13801	Rotor; V3.0 3.5T- 8.5T 12.3mm Blue
SPRM13802	Rotor; V3.0 3.5T- 8.5T 12.3mm S7 Purple
SPRM13802NA	Rotor; V3.0 3.5T- 8.5T 12.3mm S7 Silver
SPRM13803NA	Rotor; V3.0 3.5T- 8.5T 12.5mm Silver

BRUSHLESS ACCESSORIES Cont....

SPRM13804	Rotor; V3.0 3.5T-8.5R 12.8mm Golden
SPRM13805	Rotor; V3.0 3.5T- 8.5T 13mm Green
SPRM13806	Rotor; V3.0 3.5T-8.5T 13mm S7 Orange
TPM-P1000	Thunder Power Bearing Replacement Tool
TPM-P1001	T-Power Bearing Std 1/8x3/8x5/32 (2pcs) S/M 540"
TPM-P1002	T-Power Bearing Ceramic 1/8x3/8/5/32 (2pcs)S/M540"
TPM-P1005	Thunder Power Sensor Unit w/Std Bearing S/M540/550
TPM-P1007	Thunder Power Outer Can/Case w/Screws S/M 540
TPM-P1008	Thunder Power Timing Cap w/Screws S/M540/550
TPM-P1010	Thunder Power Sensor Wire Harness 110mm
TPM-P1011	Thunder Power Sensor Wire Harness 200mm
TPM-P1012	Thunder Power Sensor Wire Harness 270mm
TPM-P1014	Thunder Power Insulator Set (Fr/Rr) S/M 540/550
TPM-R540AHT	Stock Spec 540 Hi-Torque Rotor 12.5/7.25/25.0 Grn
TPM-R540AMR	Thunder Power Mod 540 Rotor 12.2/5.2/25.0 Purple
TPM-R540AMR-S	Thunder Power Mod 540 Rotor 12.0/5.0/25.3 Gold
TPM-R540ASR	T-Power Stock Spec 540 Rotor 12.2/7.25/24.2 Red
TPM-R540AST	T-Power StockSpec Torque Rotor 12.2/7.25/25.0 Blue
TPM-S540A055	Thunder Power 5.5T Modified 540 Stator
TPM-S540A060	Thunder Power 6.0T Modified 540 Stator
TPM-S540A065	Thunder Power 6.5T Modified 540 Stator
TPM-S540A075	Thunder Power 7.5T Modified 540 Stator
TPM-S540A085	Thunder Power 8.5T Modified 540 Stator
TPM-S540A095	Thunder Power 9.5T Modified 540 Stator

BRUSHLESS ESC and MOTOR COMBO

HW81030050	EZRUN Combo B4 - 5.5t 6000kV+ EZRun 60A SL
HW81030060	EZRUN Combo B5 - 8.5t 4000kV+ EZRun 60A SL
HW81030150	EZRUN Combo B6 - 9t 4300kV + EZRun 60A SL
SP000191	Reventon-R ESC-2S-Comp V3.0-7.5R Combo
SP000192	Reventon-R ESC-2S-Comp V3.0-8.5R Combo
SP000199	Reventon Stock Club Race 8.5 Combo Comp V3 Motor
SP001032	Reventon Pro V1.1 ESC Comp V3.0-5.5R Combo
SP001033	Reventon Pro V1.1 ESC Comp V3.0-6.0R Combo
SP001034	Reventon Pro V1.1 ESC Comp V3.0-6.5R Combo
SP001035	Reventon Pro V1.1 ESC Comp V3.0-7.5R Combo
SP001036	Reventon Pro V1.1 ESC Comp V3.0-8.5R Combo
SP001037	Reventon Pro V1.1 ESC Comp V3.0-9.5R Combo
SP001038	Reventon Pro V1.1 ESC Comp V3.0-10.5R Combo
SP001039	Reventon Pro V1.1 ESC Comp V3.0-13.5R Combo
SP001040	Reventon Pro V1.1 ESC Comp V3.0-17.5R Combo
SP001041	Reventon Pro V1.1 ESC Comp V3.0-21.5R Combo
SP001144	Reventon Pro V1.1 ESC MMM 5.0R Combo
SP001145	Reventon Pro V1.1 ESC MMM 5.5R Combo
SP001146	Reventon Pro V1.1 ESC MMM 10.5R Combo
SP001147	Reventon Pro V1.1 ESC MMM 13.5R Combo
SP001149	Reventon Pro V1.1 ESC MMM 21.5R Combo

BRUSHLESS SPEEDCONTROLS

CR173	PACE 45R Brushless ESC 1s/2s
CR174	PACE 45R/60R Programming Card
CR199	PACE 60R Brushless ESC 1S/2S
HW30112121072	XERUN - V3.1 - Waterproof ESC 120A
HW81010190	EZRUN-60A-SL - BL ESC - for 1/10 Car & Truck
HW81010390	EZRUN-WP-80A-SL - BL ESC - for 1/10 waterproof
HW81020170	XERUN - V2.1 - BL ESC-120A - Blue
HW81020340	XERUN-V3.1 BL-ESC-Blue 120A
HW81020350	XERUN-V3.1 BL-ESC-Black 120A
HW81020360	XERUN-V3.1 BL-ESC-Red 120A
NR90430	NOSRAM One Brushless ESC
NR90960	Comet EVO Brushless Speed Control
NR90970	Comet HD Brushless Speed Control
SK-300044-01	Toro TS 120A ESC
SK-300062-02	Toro TS 120A Alloy ESC - Black
SK-300064-01	Toro TS 160 ESC
SP000063	Reventon-R ESC - 2S - Blue
SP000064	Reventon-R ESC - 2S - Silver
SP000739	Reventon Pro ESC-2S - V1.1 Black
SP000740	Reventon Pro ESC-2S - V1.1 - Laser Blue

BATTERIES

AM199502	Lipo Safe Bag (185 x 75 x 60mm)
CR007	CORE RC Silicone Wire 12g - Red/Black 2x50cm
CR008	CORE RC RED Connector with 2x4mm Tubes
CR009	CORE RC RED Connector with 2x4mm Males
CR050	CORE RC Silicone Wire 12g - Red 1 Metre
CR051	CORE RC Silicone Wire 12g - Black 1 Metre
CR052	CORE RC Silicone Wire 12g - Blue 1 Metre
CR059	CORE RC - Safe Charge Pouch 23x30cm
CR115	CORE RC Silicone Wire 12g - Red/Black/Blue 3x50cm
CR124	Heatshrink 6.0mm dia Black - 20pcs
CR125	Heatshrink 6.0mm dia Red - 20pcs
CR170	CORE RC Lipo Locker - 17 x 8 x 7cm
CR171	CORE RC - 4000mAHr 7.4V 20C/40C Saddle Lipo
CR287	Silicone Wire Black 14 AWG - 1Mtr
CR288	Silicone Wire Black 16 AWG - 1Mtr
CR295	CORE RC-5000mAHr 7.4V 30/60C 2S Saddle Lipo
H1046	T Connector; Red 2 Way - Male and Female
H1047	T Connector; Black 2 Way - Male and Female
H1048	T Connector; Red Sockets - pk4

BATTERIES Cont....

H1049	T Connector; Black Sockets - pk4
IPBG2S4800V9	Intellect Shorty Lipo 4800mAh 2S- 90C- 7.4V G5
IPCC2S3500V9	Intellect-Shorty Lipo 3500mAh 2S- 90C- 7.4V G4
IPTP2S6000SV1	Intellect-Lipo 6000mAh 100C 2S Saddle SHV
IPTP2S6000V8	Intellect - Saddle Lipo 6000mAh 2S - 80C- 7.4V
MR-SB	MR33 Lipo Bag
NR999519	Lipo 5500 1/10 X-treme Saddle Pack 110C/55C-7.4V
NR999520	Lipo 3700 1/10X-treme Saddle Pack LCG 110C/55C-7.4
SK-500007-01	SKY RC Lipo Pal
TP4P10E	Thunder Power 4 Pin Balance connector 10Extension"
TP4P8	TP 4 Pin Balance Connector 8 Colour Coded Wires"
TP6P10E	Thunder Power 6 Pin Balance Connector 10Extension"
TP6P13	TP 6 Pin Balance Connector 13 Colour Coded Wires"
TP6P4PE	Thunder Power 6 Pin Adaptor/Extension
TPLSBL	Thunder Power Lipo Charge Bag Large 9 x 12"
TPLSBS	Thunder Power Lipo Charge Bag Small 7 x 8" x 5"

GENERAL ACCESSORIES

CR043	CORE RC - Silver X-Weights 16pcs
CR058	CORE RC - Black X-Weights 16pcs
CR197	CORE RC - Glass Setup Board
CR297	CORE RC - Neoprene Bag
CR520	Medium Thread Lock 3ml
CR521	Super Glue Activator 63ml
CR522	CORE RC - 522 Pro Tyre Glue + 2 Nozzles
G353	Schumacher Glass Setup Board
G354	Schumacher - Neoprene Bag
H1056	Loctite 243 Thread Lock 3ml
H1057	Loctite Precision Super Glue - 5g
J003	Contact RC - Glass Setup Board
J004	Contact RC - Neoprene Bag
MR-CSOFFROAD	MR33 Car Stand Off Road
MR-SUPER GLUE	Perfect Super Glue for Rubber Tyres
S500B	Schumacher BANNER 6x3ft

TOOLS

CR044	CORE RC - Curved Body Scissors
CR045	CORE RC - Straight Body Scissors
CR100	Shock Shaft Pliers - Purple
CR101	Shock Shaft Pliers - Black
CR102	Magnetic Parts Tray - Purple
CR103	Magnetic Parts Tray - Black
CR148	CORE RC - Polybutler Pit Box; Black
CR233	Piston Drilling Kit-1.1-1.8mm (8 bits)
CR271	4 Way Wrench Small - 4.0,4.5,5.5,7.0mm
H1032	Alloy Camber Gauge - 1/10th
U2789	Schumacher Hex Driver - 1.5mm
U2790	Schumacher Hex Driver - 2.0mm
U2791	Schumacher Hex Driver - 2.5mm
U2792	Schumacher Hex Driver - 3.0mm
U2795	Schumacher M3 Nut Driver
U2796	Schumacher M4 Nut Driver
U2818	Schumacher Body Reamer
U4229	Steel Spanner - 5.5mm/3.9mm

PAINT

CR600	Aerosol Paint - White Knight
CR601	Aerosol Paint - Yellow Taxi
CR602	Aerosol Paint - Fire Red
CR603	Aerosol Paint - French Blue
CR604	Aerosol Paint - Petrol Blue
CR605	Aerosol Paint - Racing Green
CR606	Aerosol Paint - Jet Black
CR607	Aerosol Paint - Lime Green
CR608	Aerosol Paint - Tangerine
CR609	Aerosol Paint - Hot Pink
CR610	Aerosol Paint - Berry Purple
CR611	Aerosol Paint - Neon Yellow
CR612	Aerosol Paint - Neon Orange
CR613	Aerosol Paint - Neon Red
CR614	Aerosol Paint - Neon Green
CR615	Aerosol Paint - Neon Fire
CR616	Aerosol Paint - Neon Carrot
CR617	Aerosol Paint - Neon Pink
CR618	Aerosol Paint - Neon Blue
CR619	Aerosol Paint - Metallic Blue
CR620	Aerosol Paint - Metallic Graphite
CR621	Aerosol Paint - Metallic Silver
CR622	Aerosol Paint - Metallic Purple
CR623	Aerosol Paint - Metallic Green
CR624	Aerosol Paint - Metallic Red
CR625	Aerosol Paint - Metallic White
CR626	Aerosol Paint - Clear Sparkle
CR627	Aerosol Paint - True Chrome
CR628	Aerosol Paint - Clear Backing
CR629	Aerosol Paint - Window Tint
CR631	Aerosol Paint - Spearmint

Right side.

NOTE:

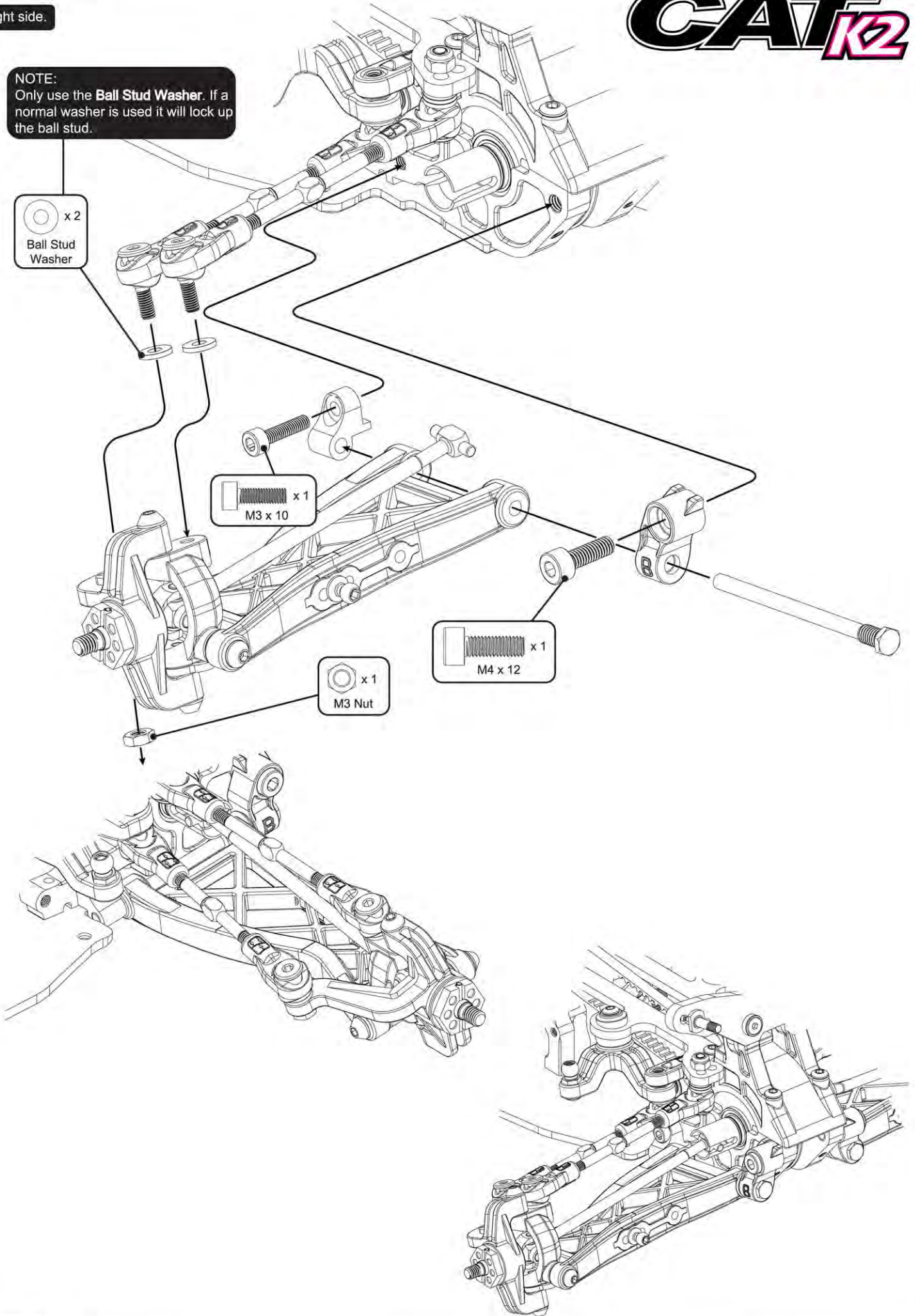
Only use the **Ball Stud Washer**. If a normal washer is used it will lock up the ball stud.

x 2
Ball Stud Washer

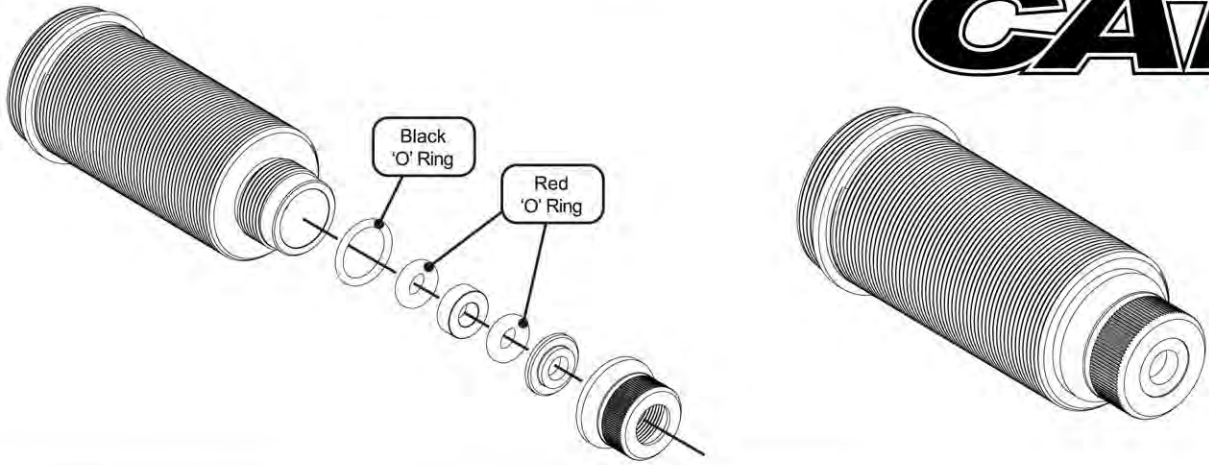
x 1
M3 x 10

x 1
M3 Nut

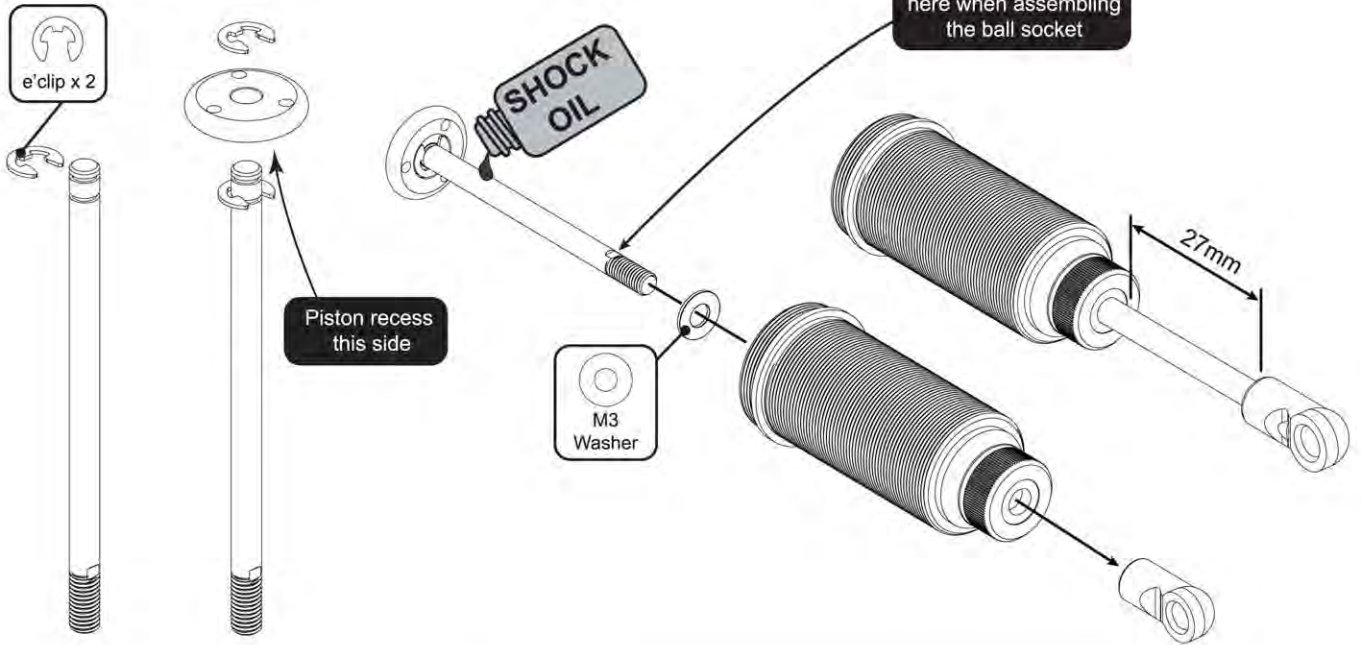
x 1
M4 x 12



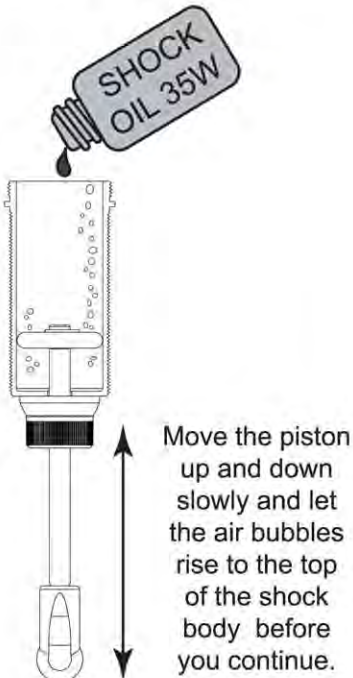
Step 28



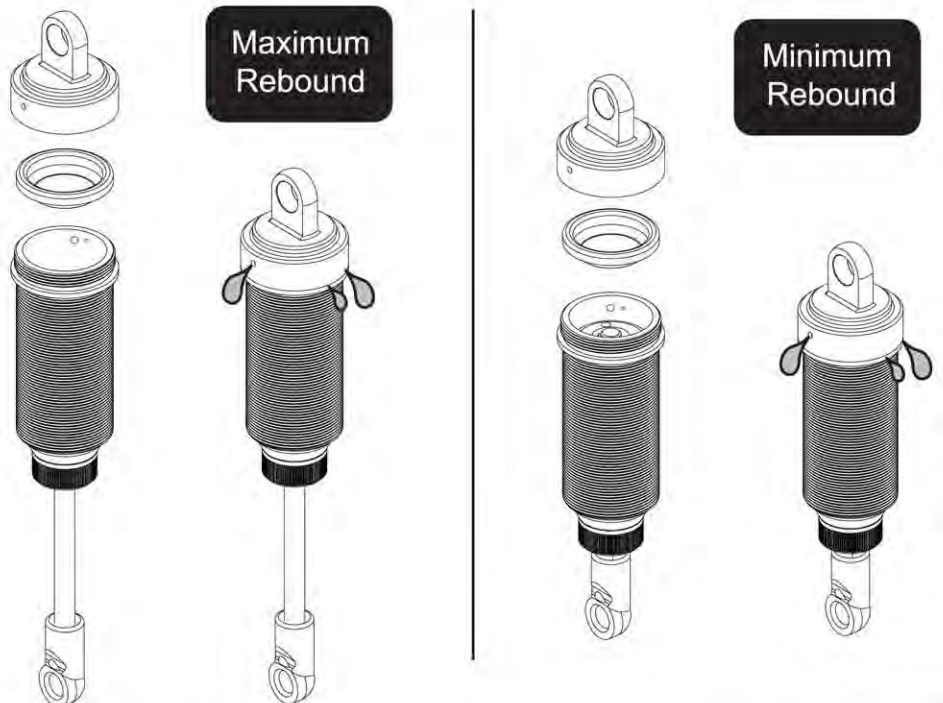
Step 29



Step 30 A

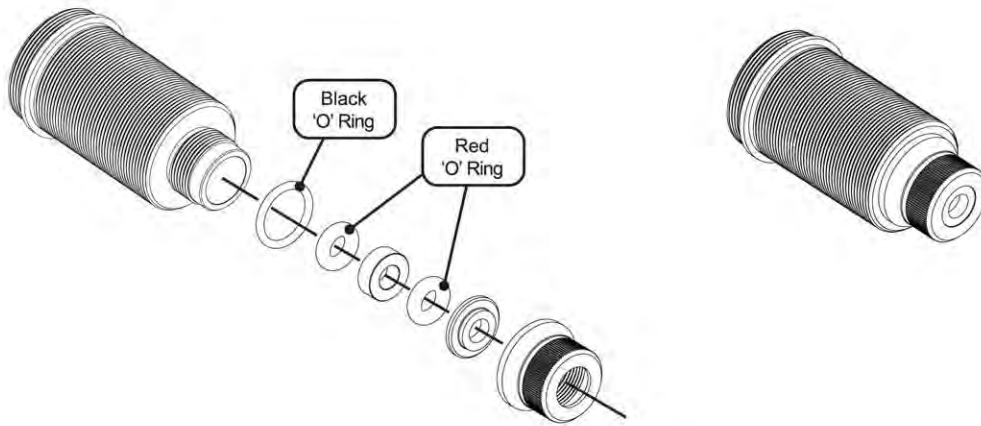


Step 30 B

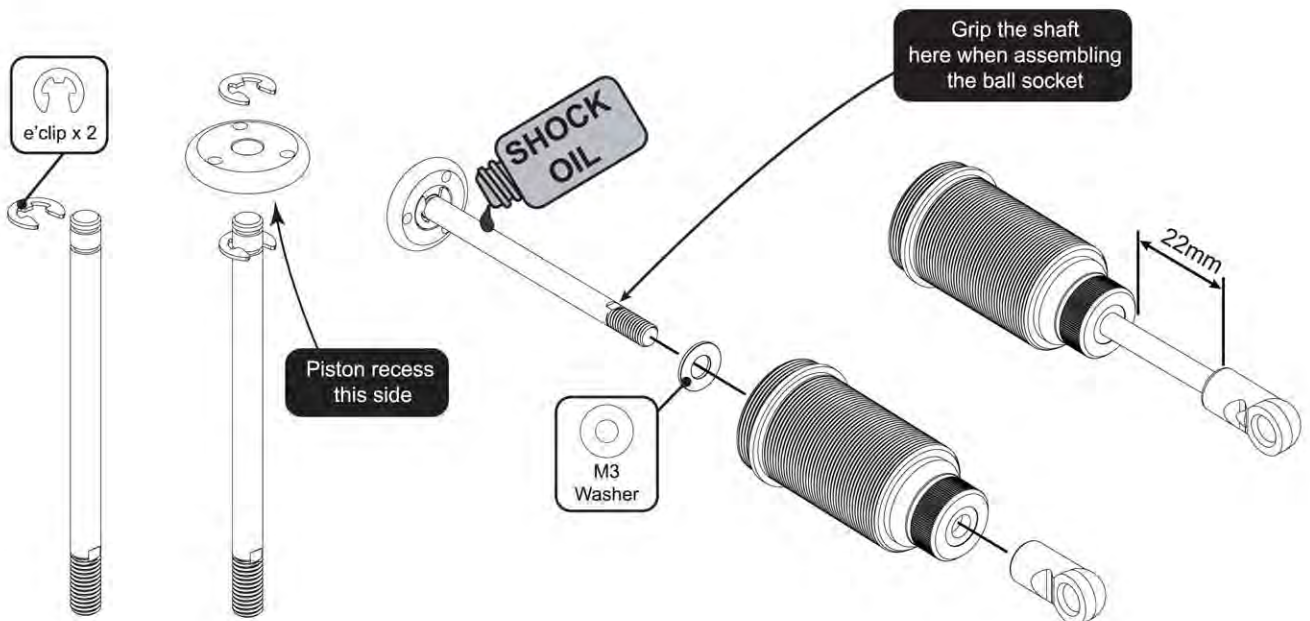




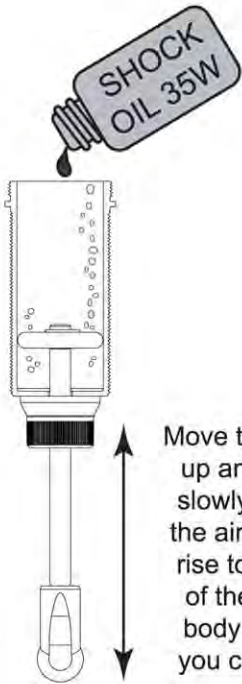
Step 31



Step 32



Step 33 A

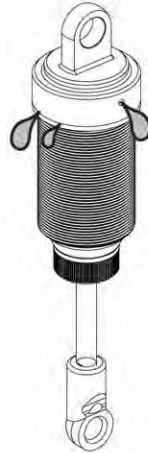


Move the piston up and down slowly and let the air bubbles rise to the top of the shock body before you continue.

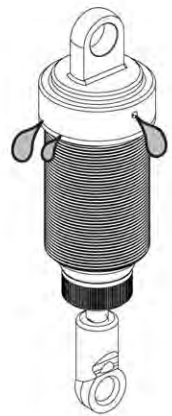
Step 33 B



Maximum Rebound

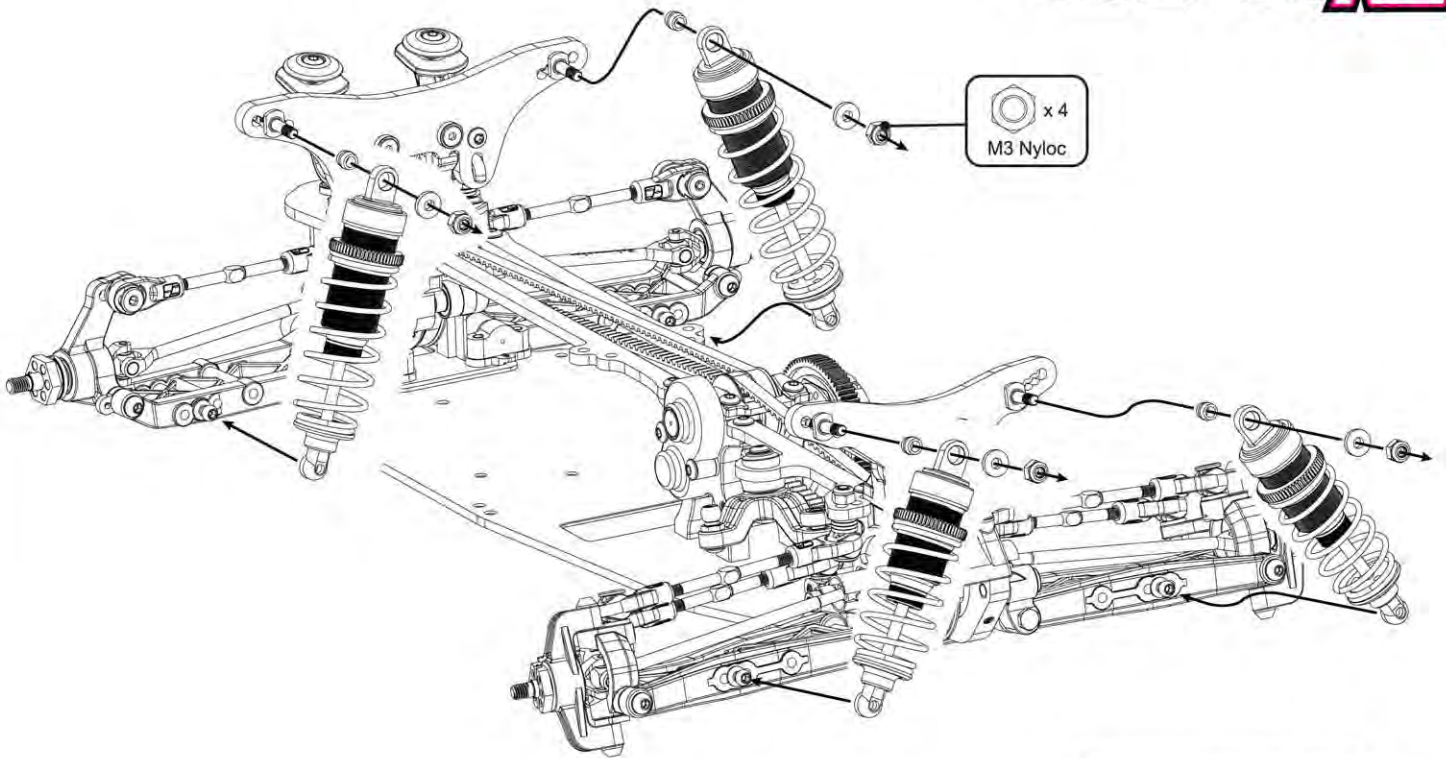


Minimum Rebound

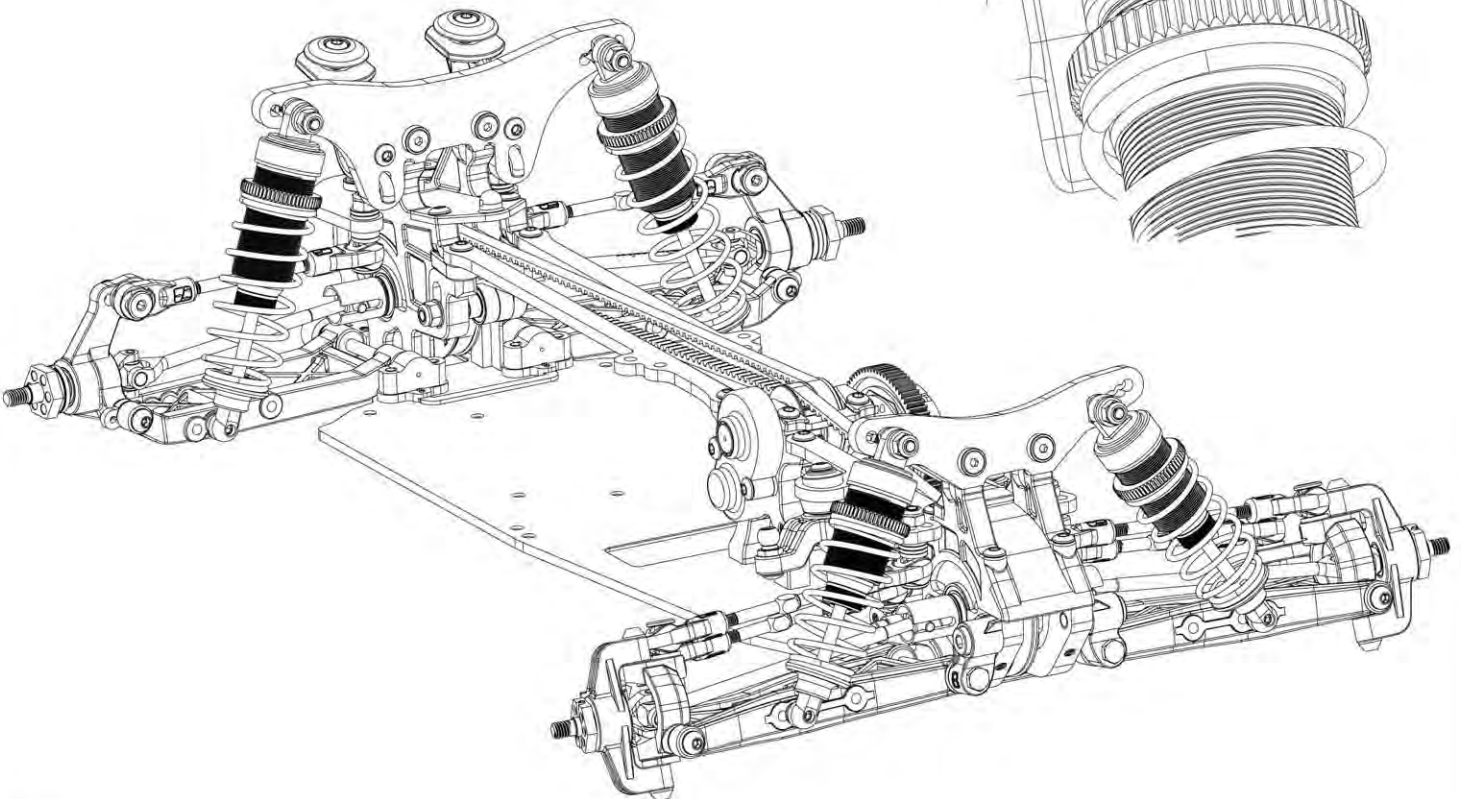
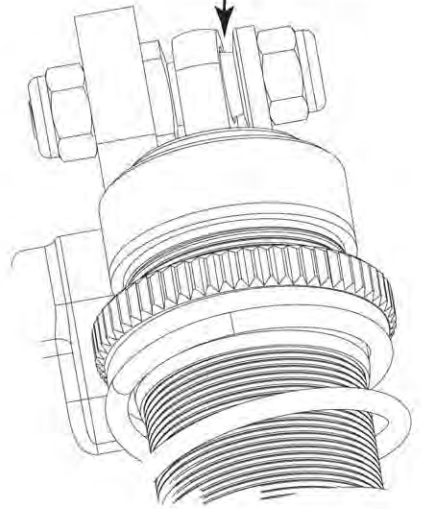


Step 33 C

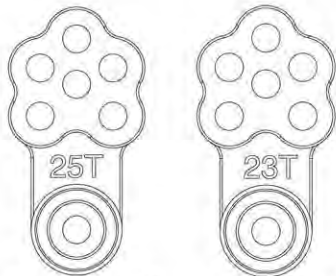




Fit cone washer as shown.
DO NOT crush the assembly.



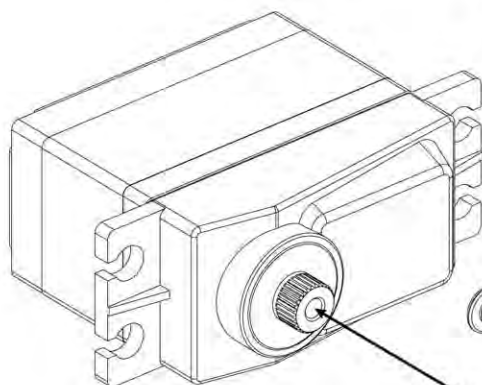
Step 35 A



Highest/Futaba

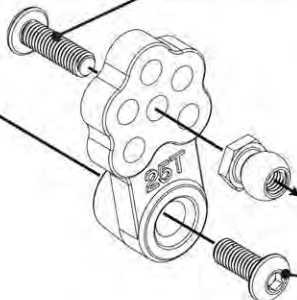
KO/Sanwa

NOTE:
Choose the correct servo horn.



Servo not included in kit.

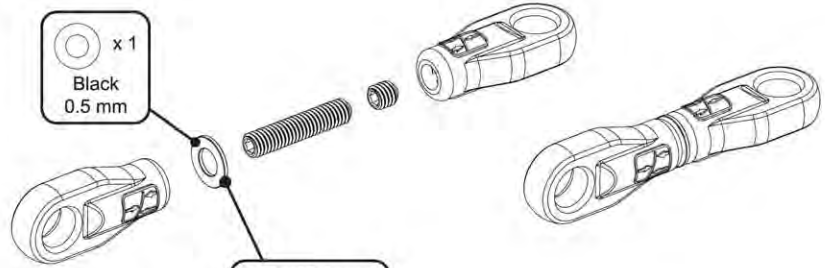
x 1
M3 x 10



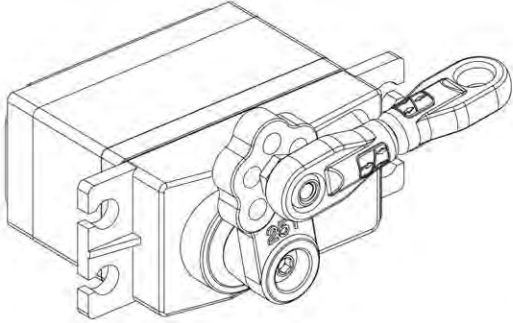
Screw supplied with servo.

Step 35 B

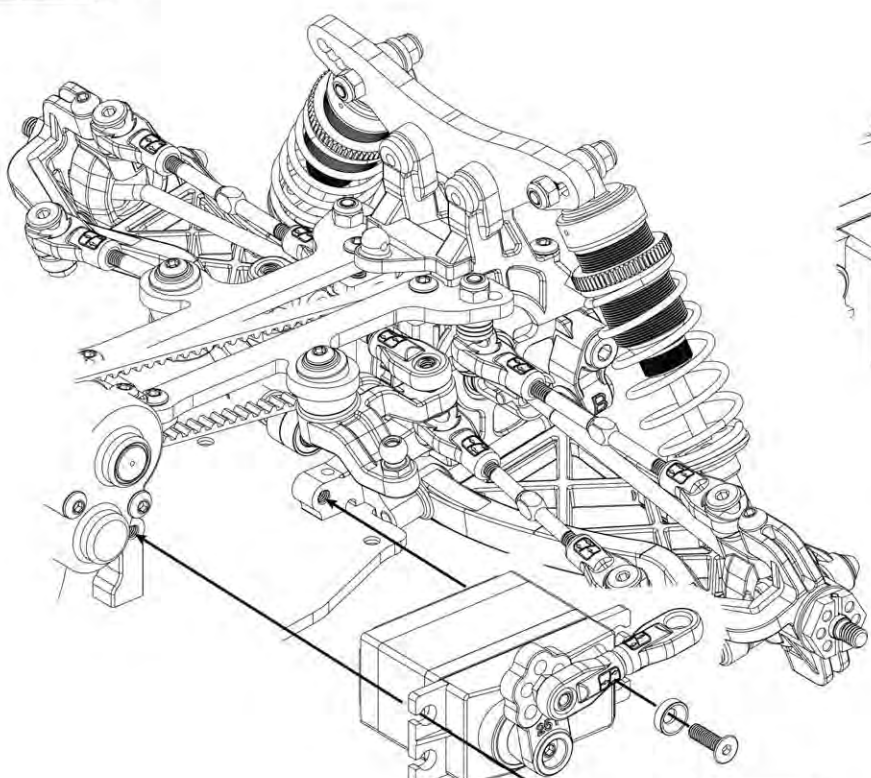
x 1
Black
0.5 mm



Optional Spacer

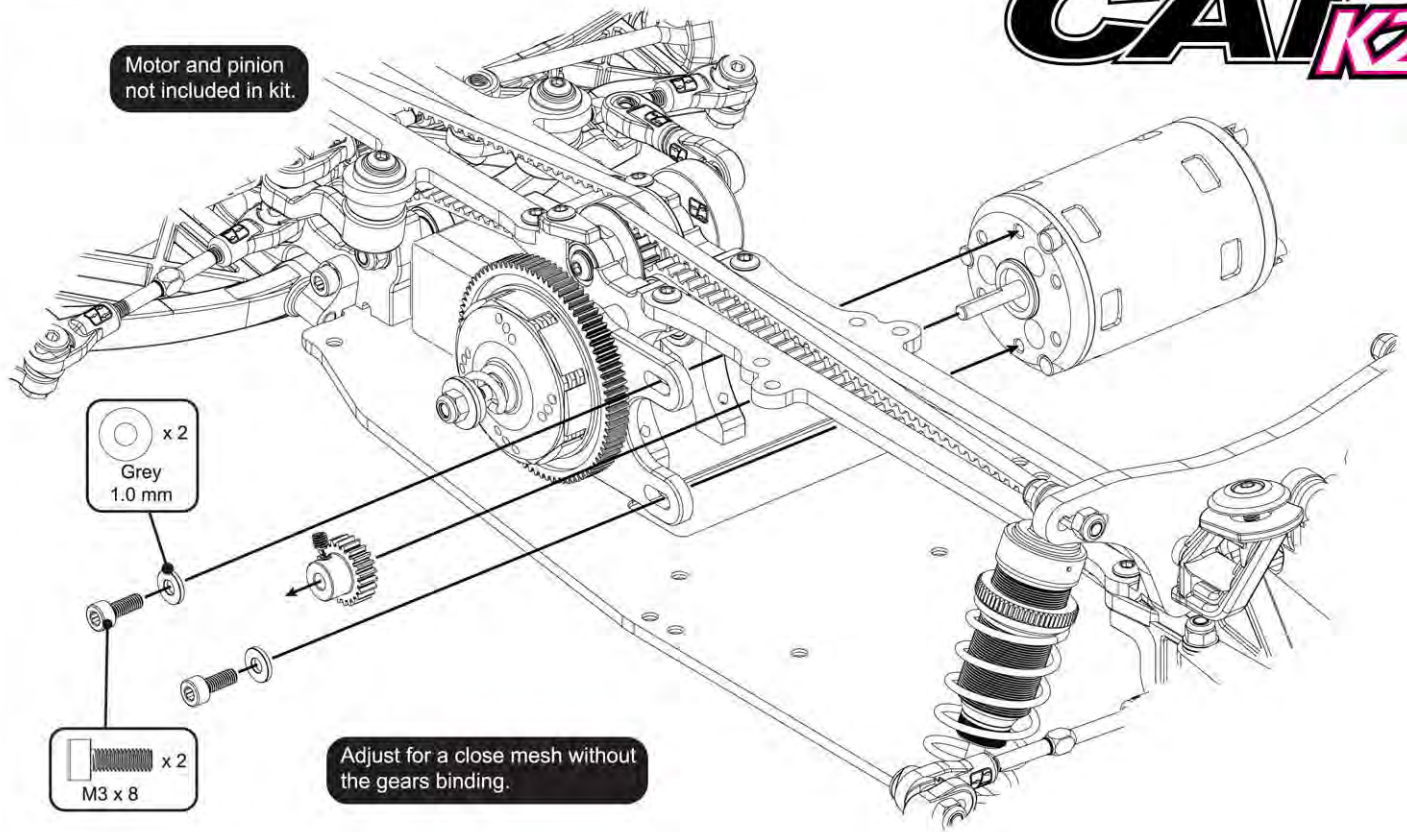


Step 35 C



x 2
M3 x 10

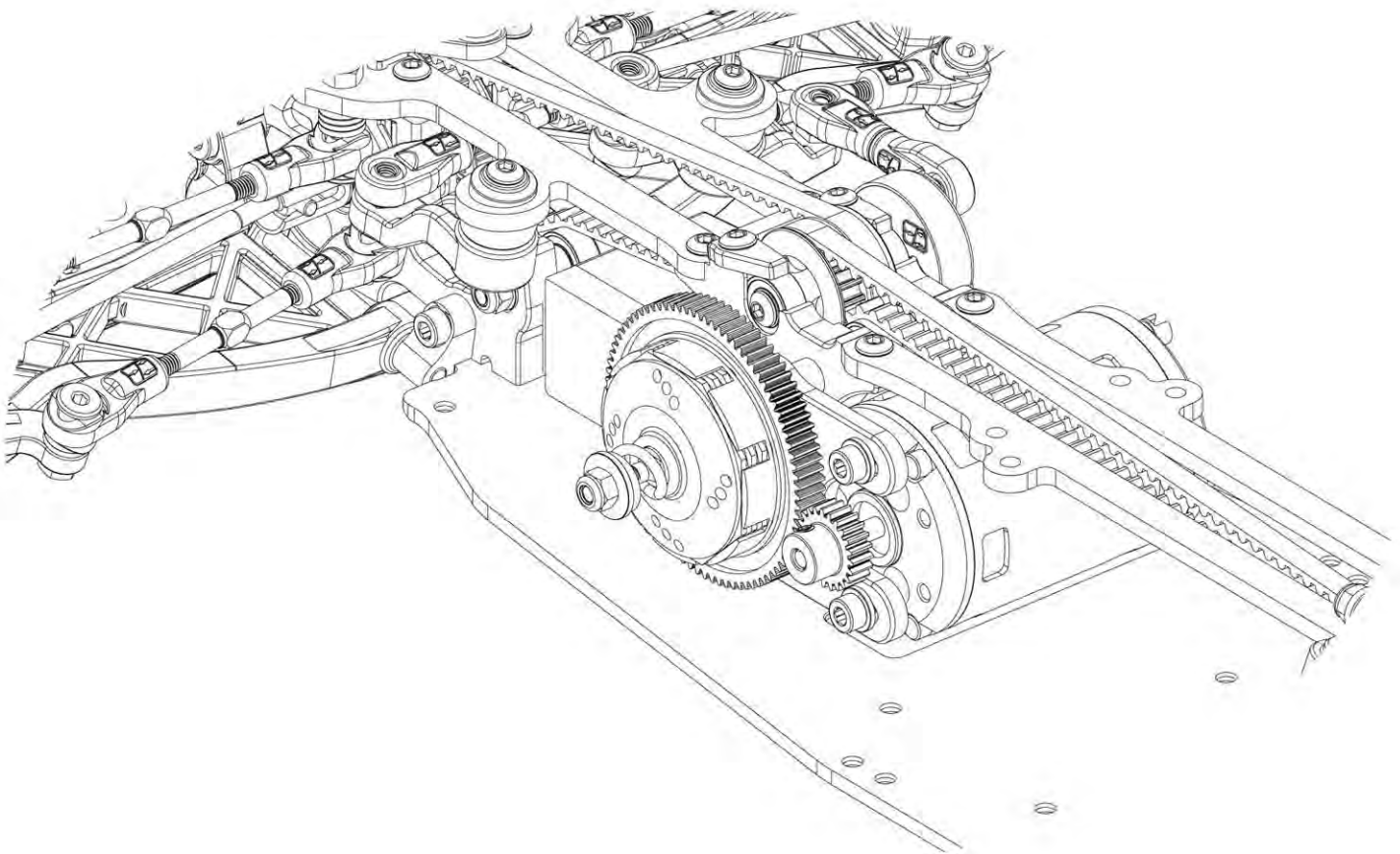
Motor and pinion
not included in kit.

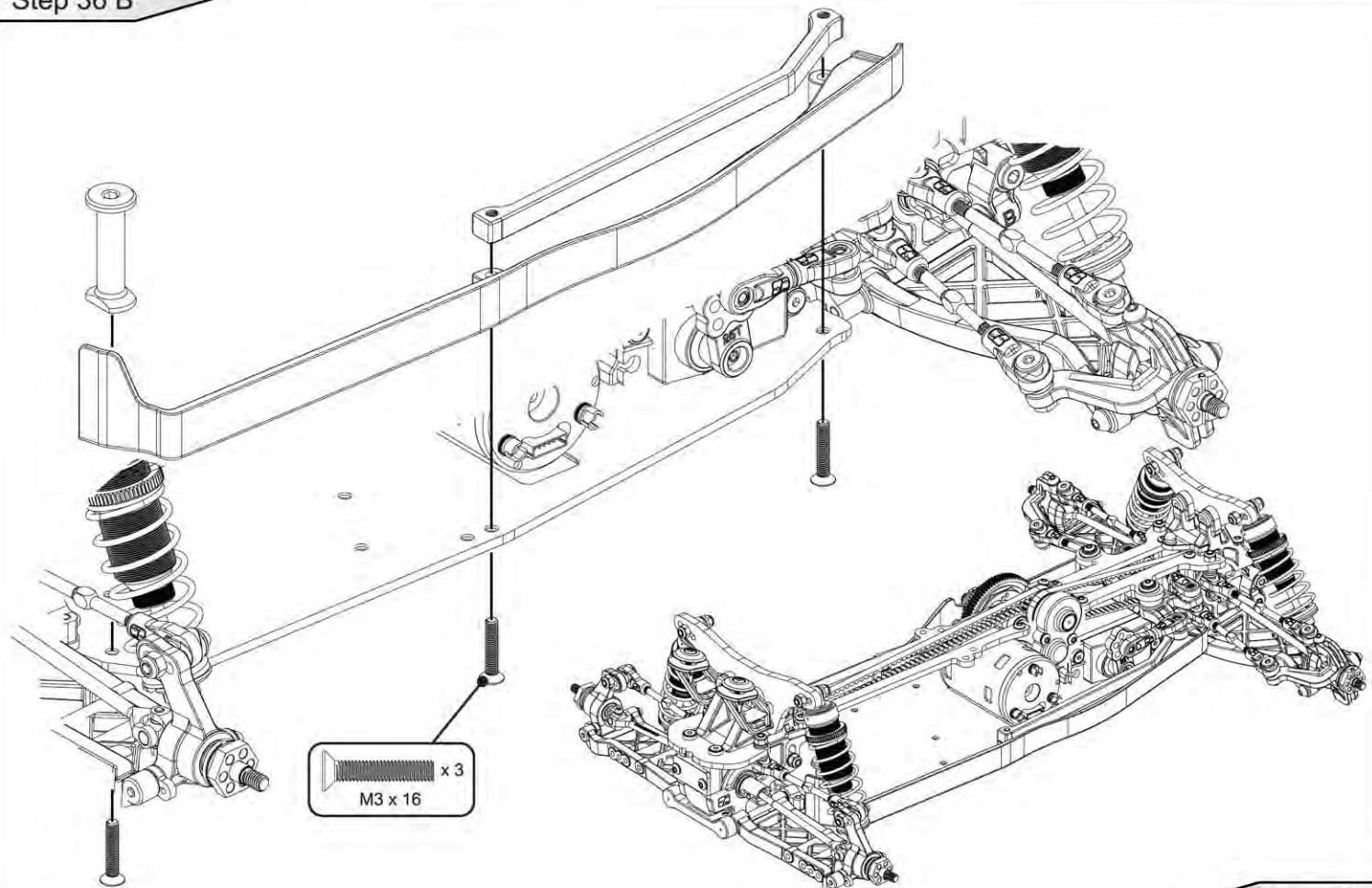
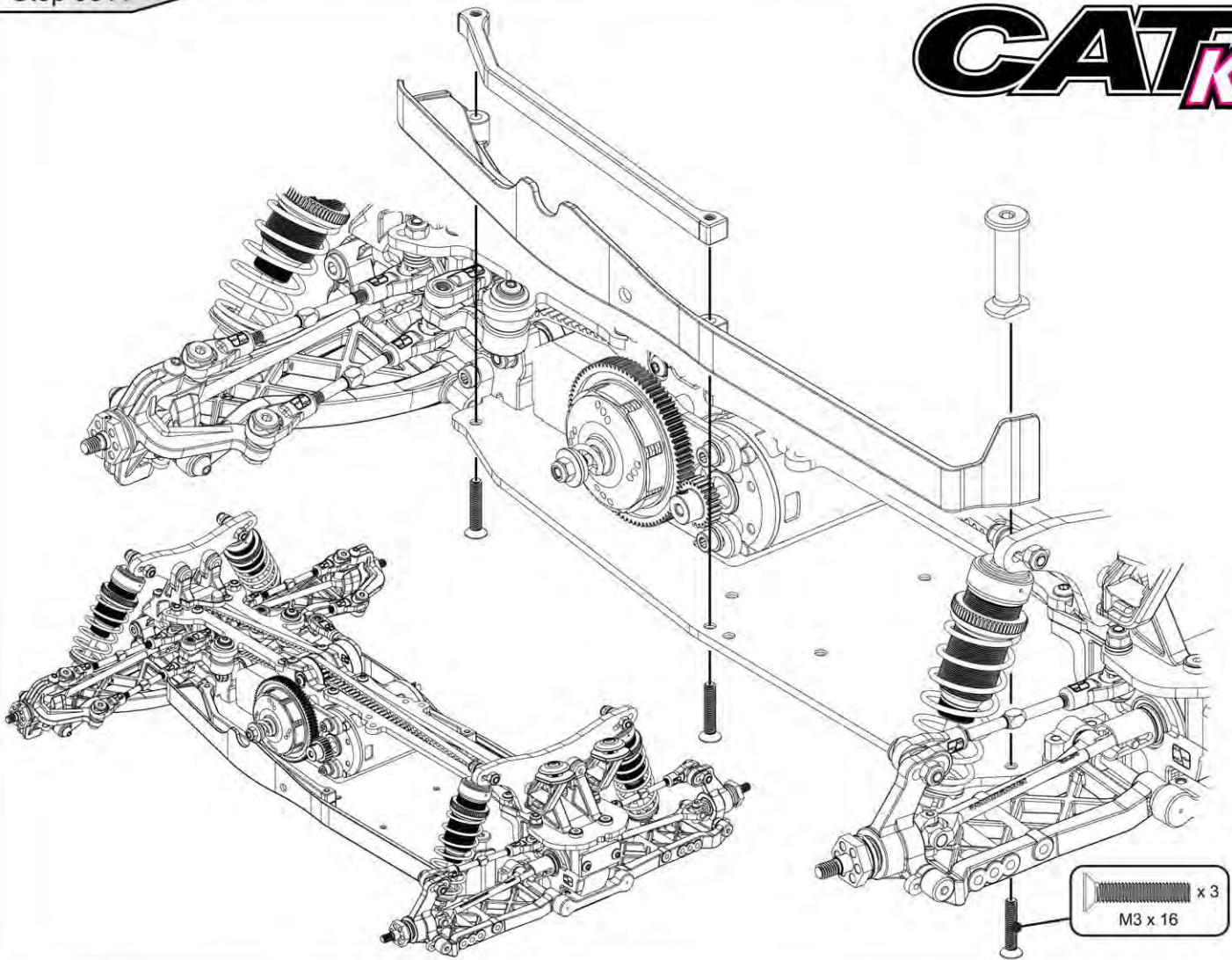


x 2
Grey
1.0 mm

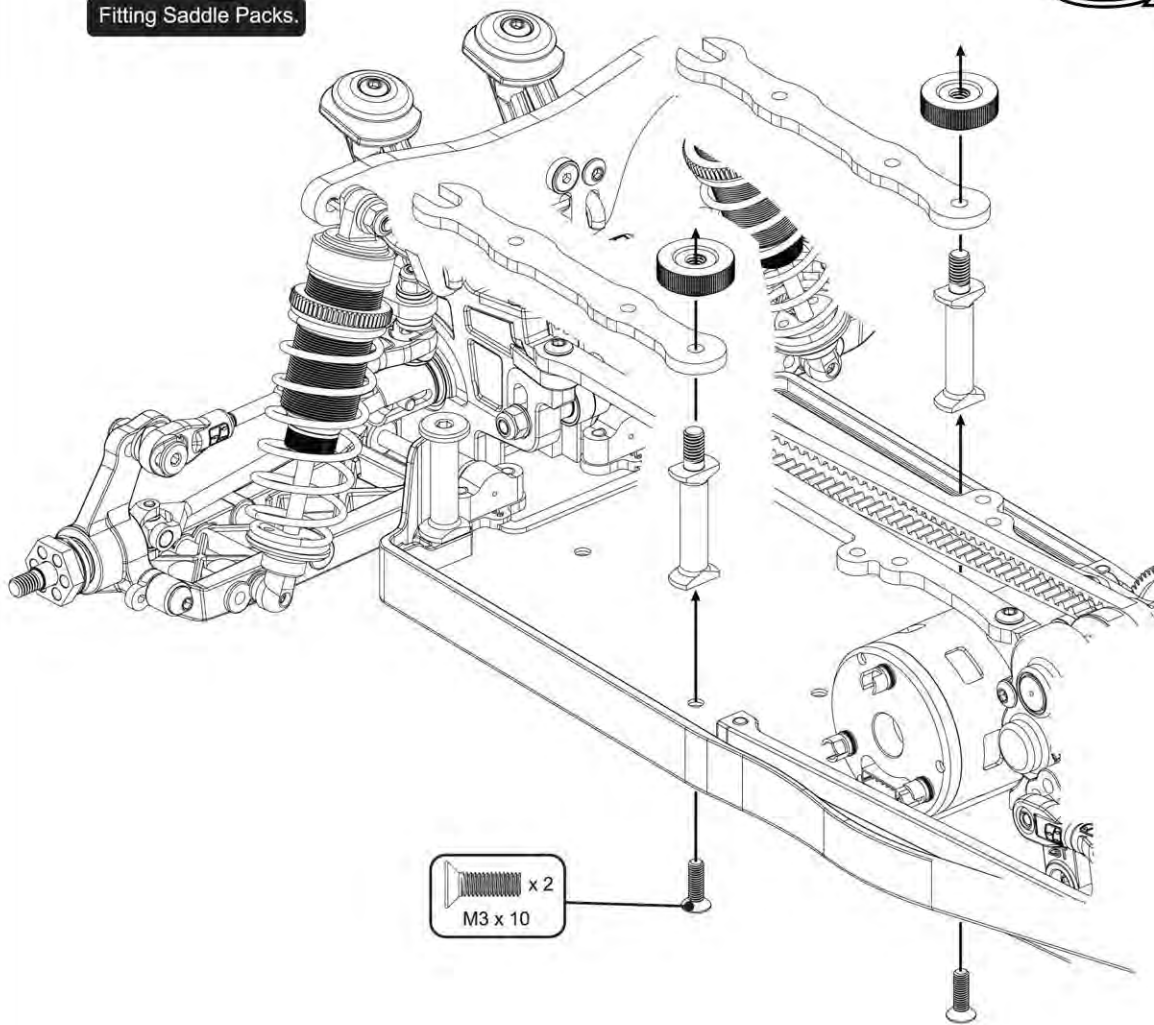
x 2
M3 x 8

Adjust for a close mesh without
the gears binding.

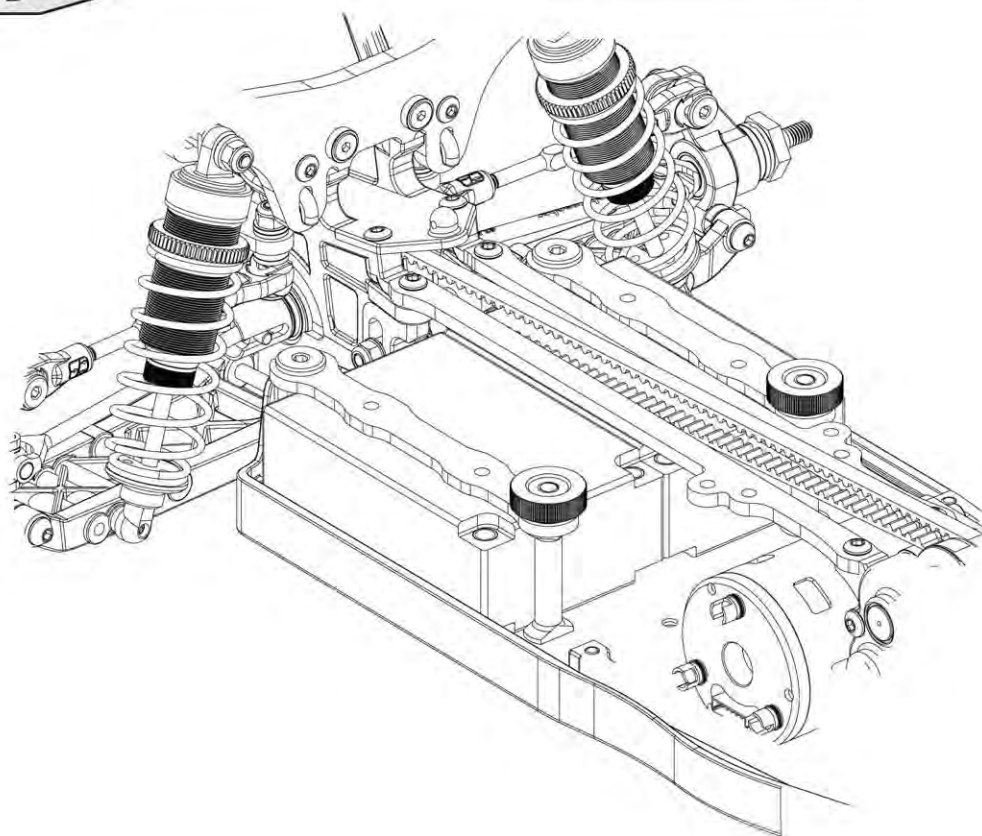


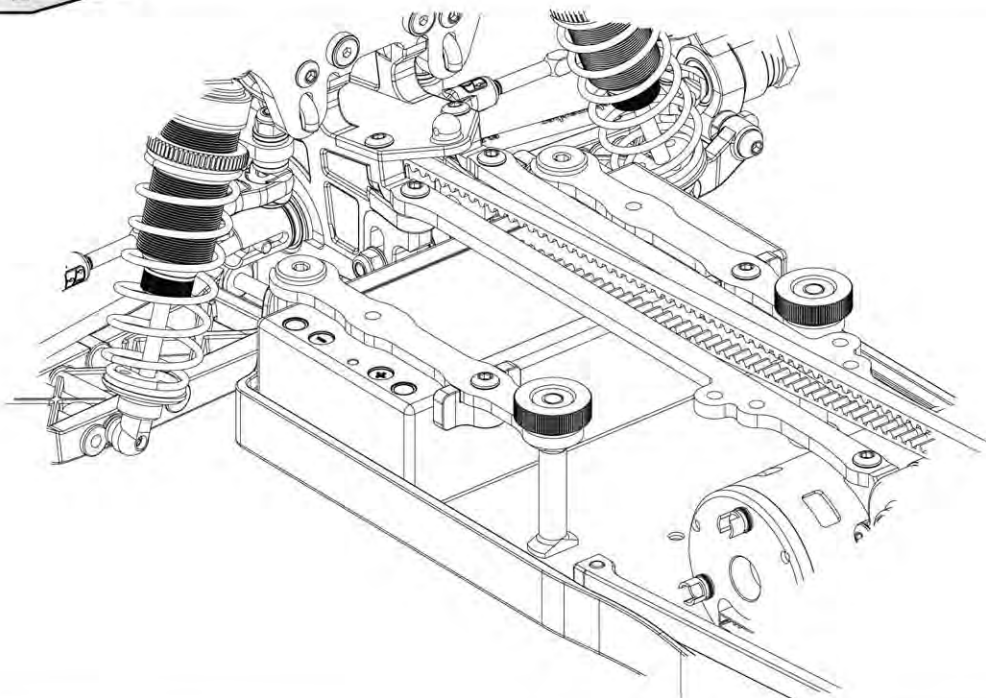
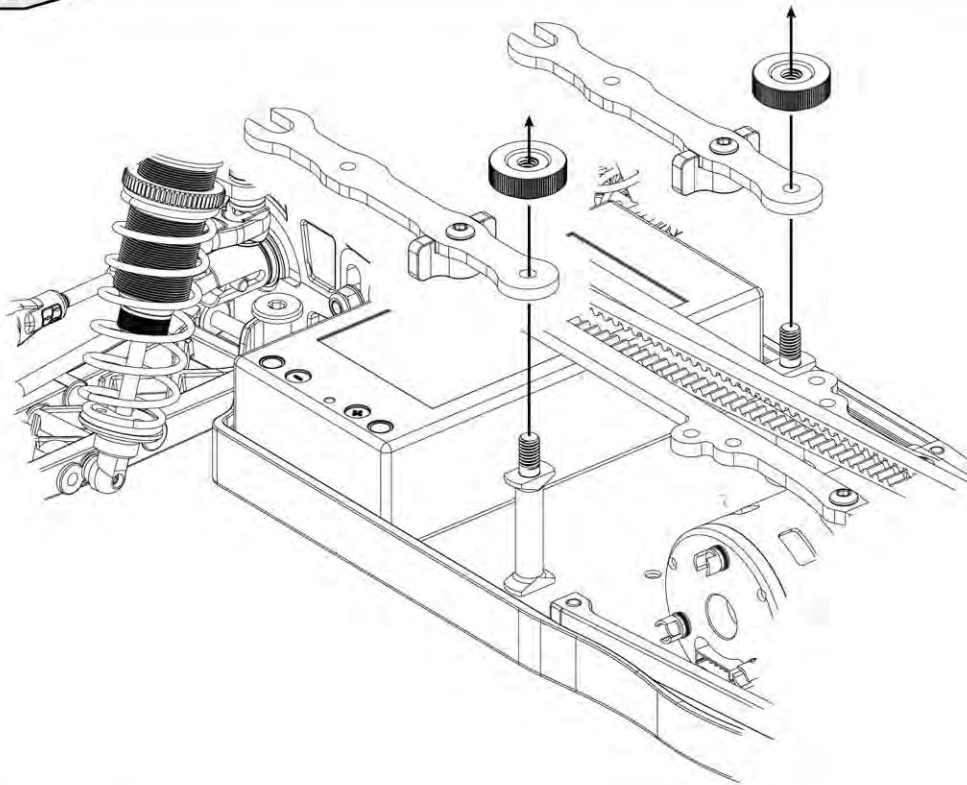
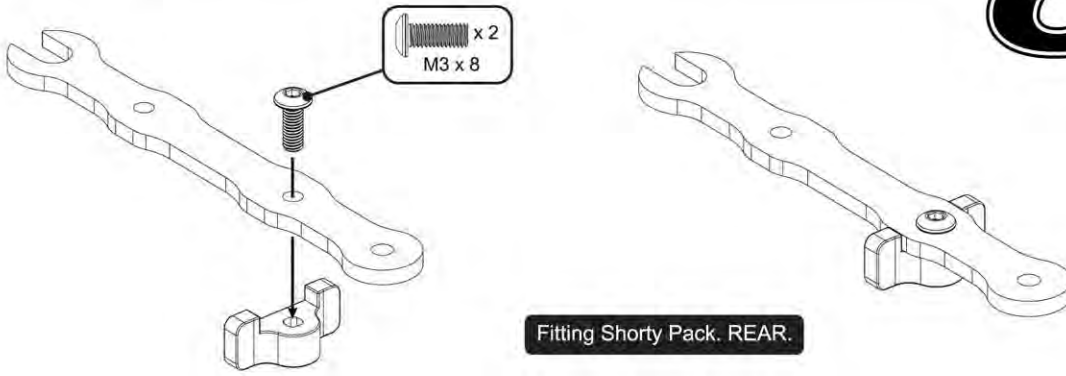


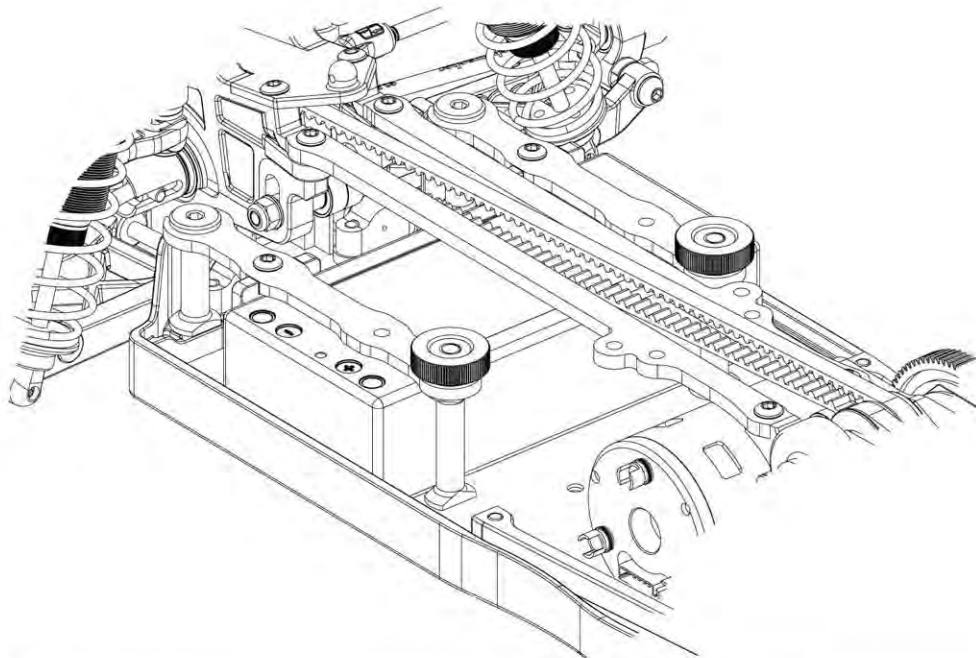
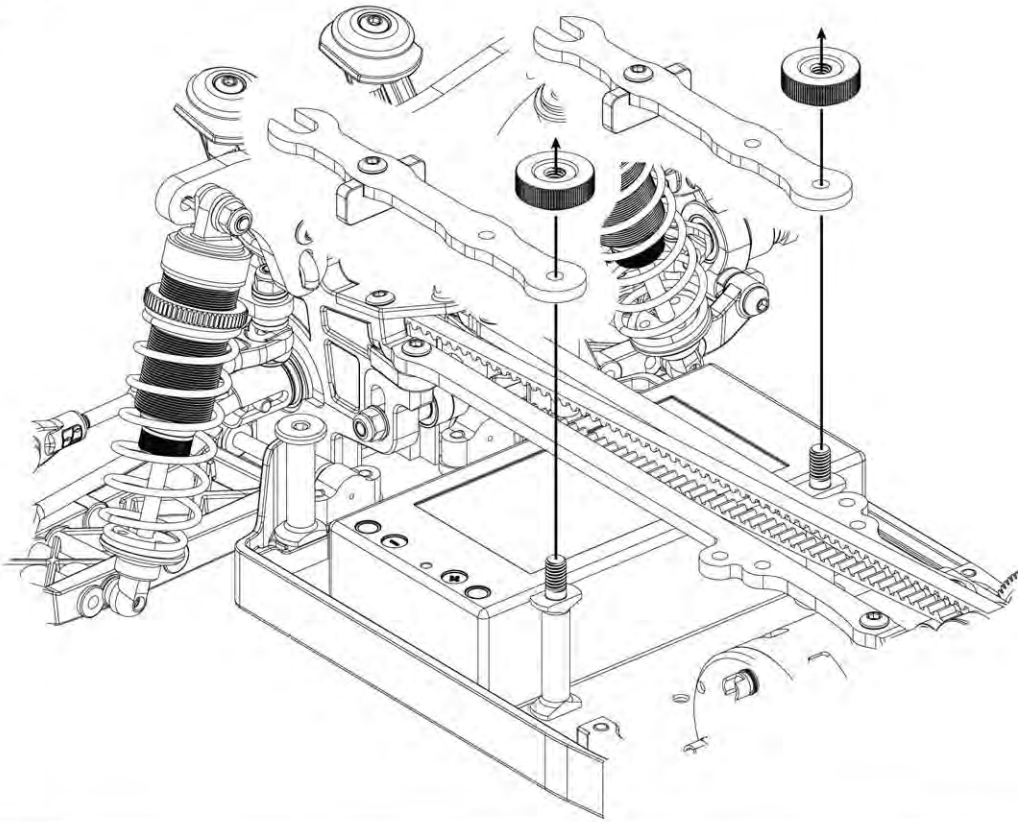
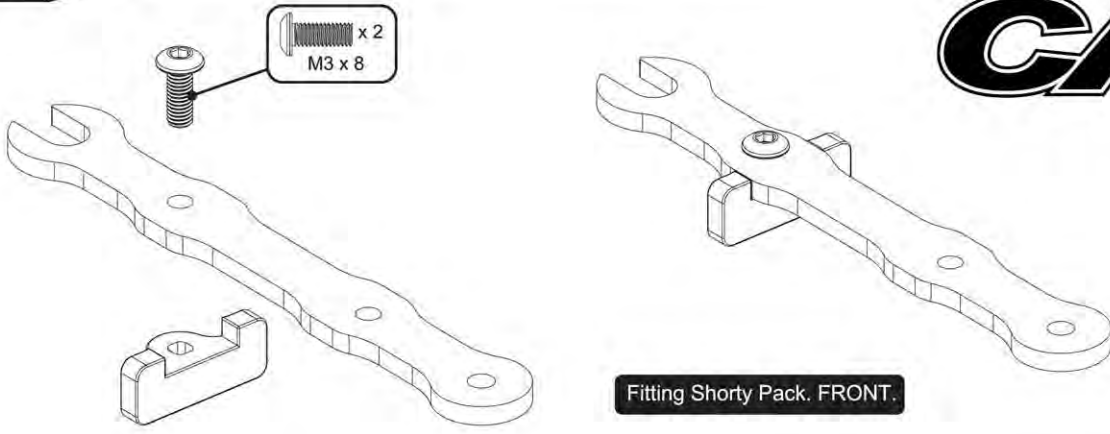
Fitting Saddle Packs.

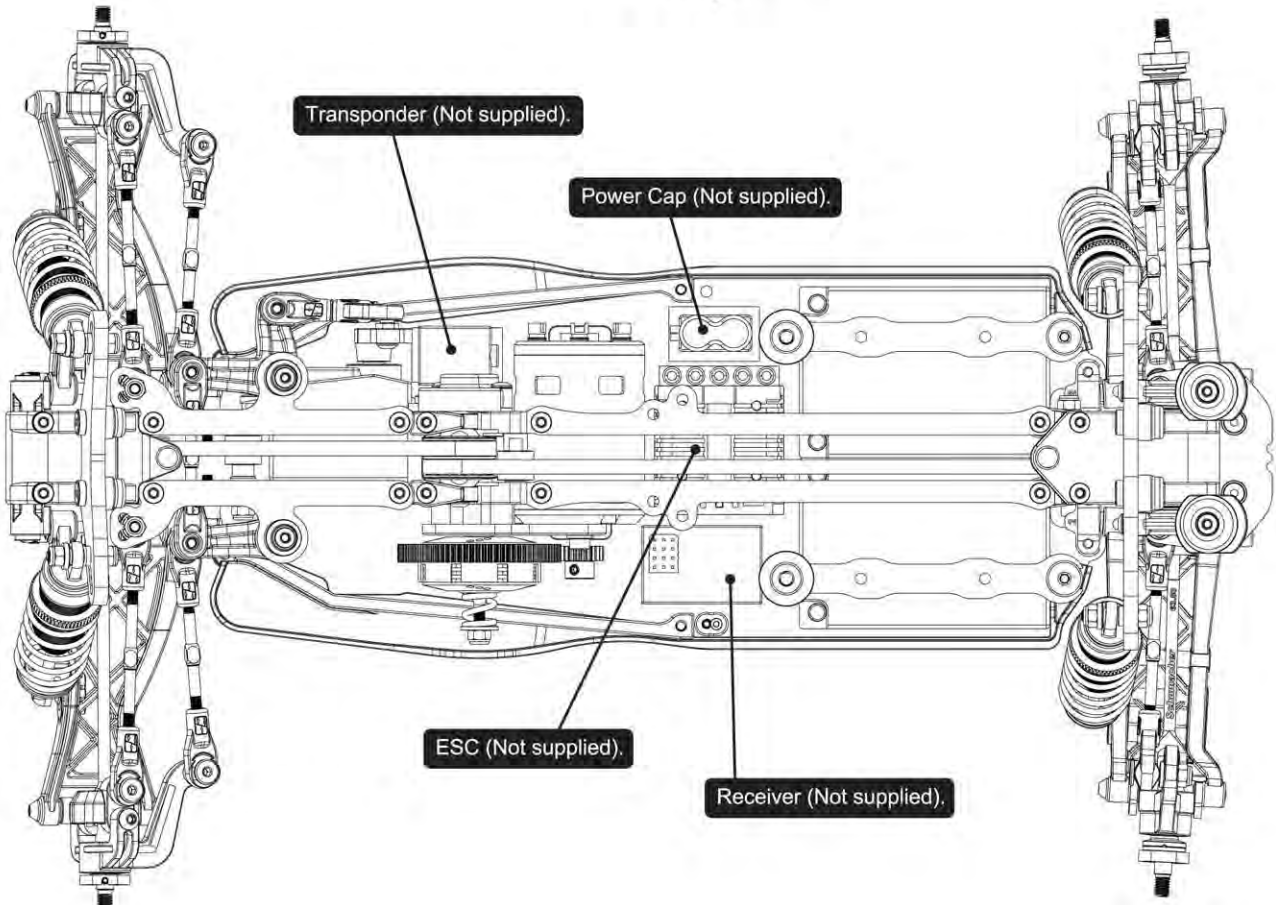
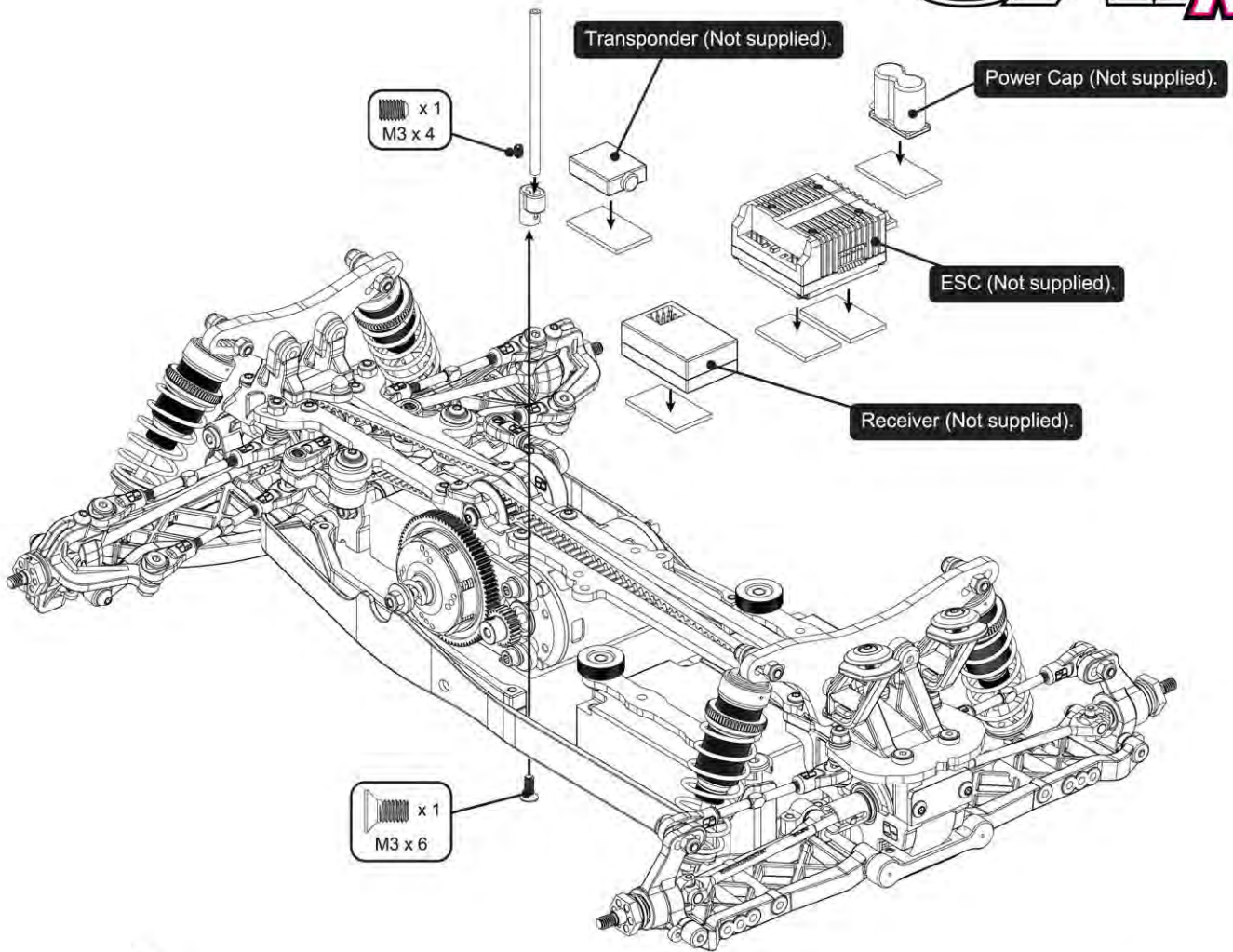


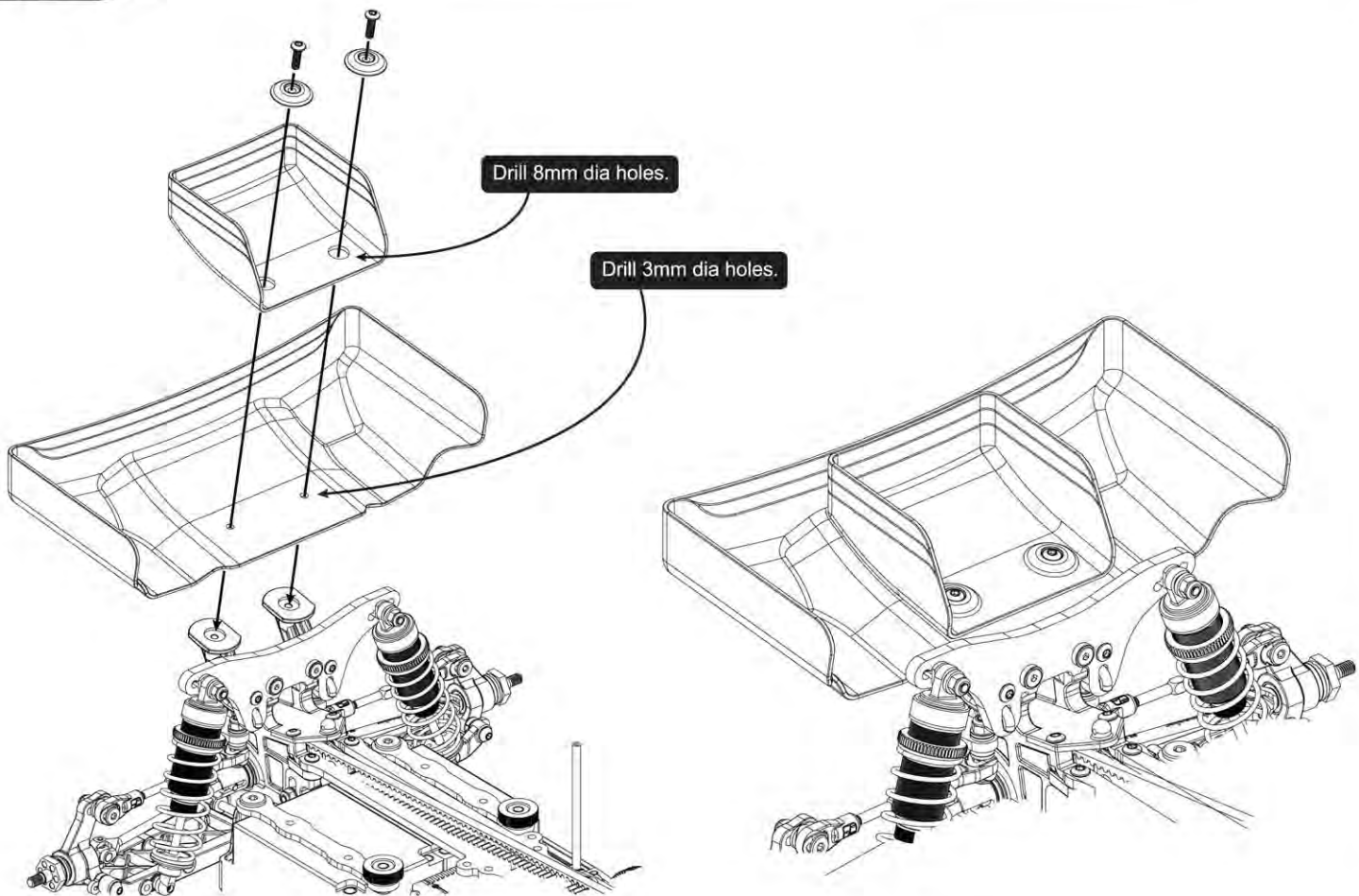
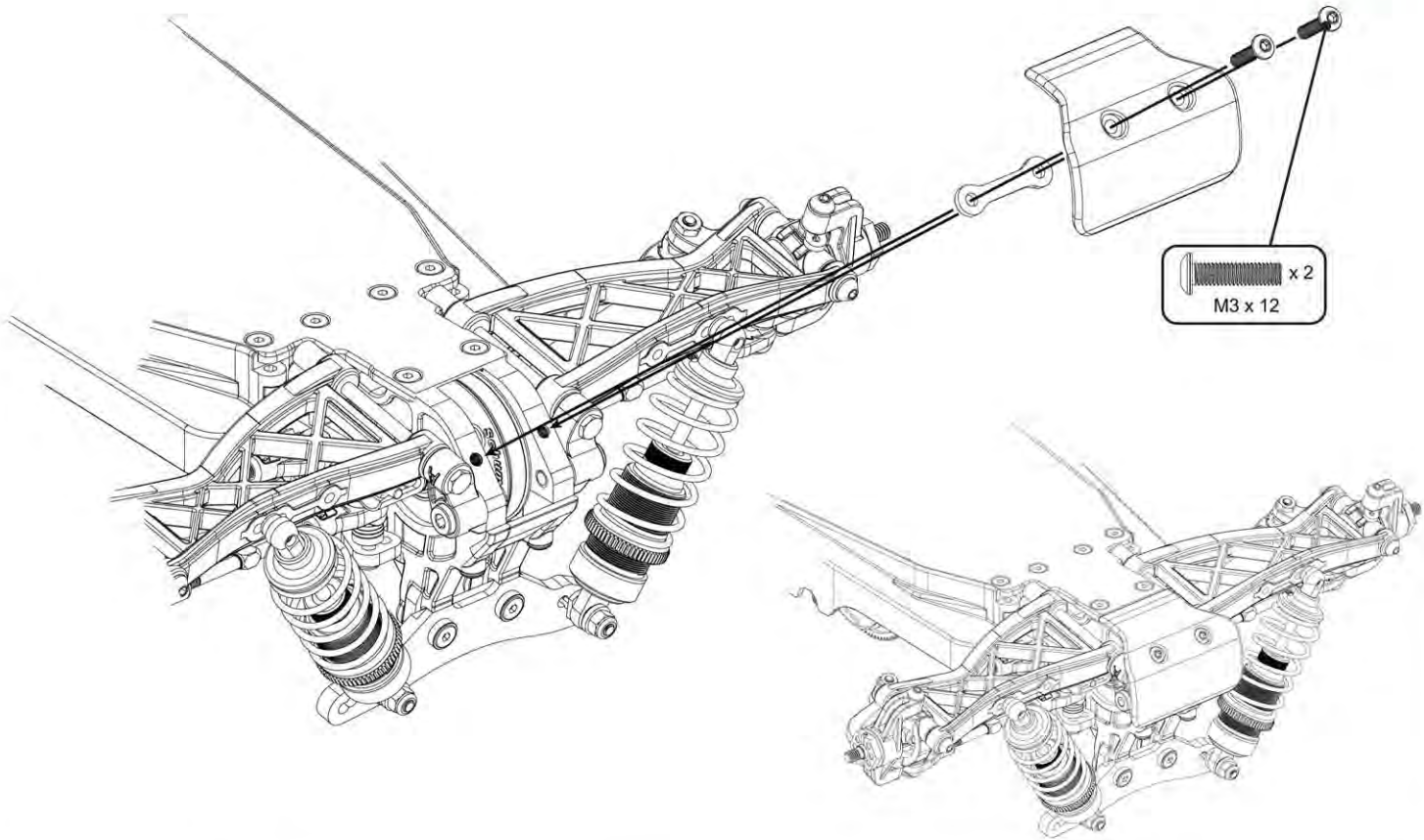
Step 37 B

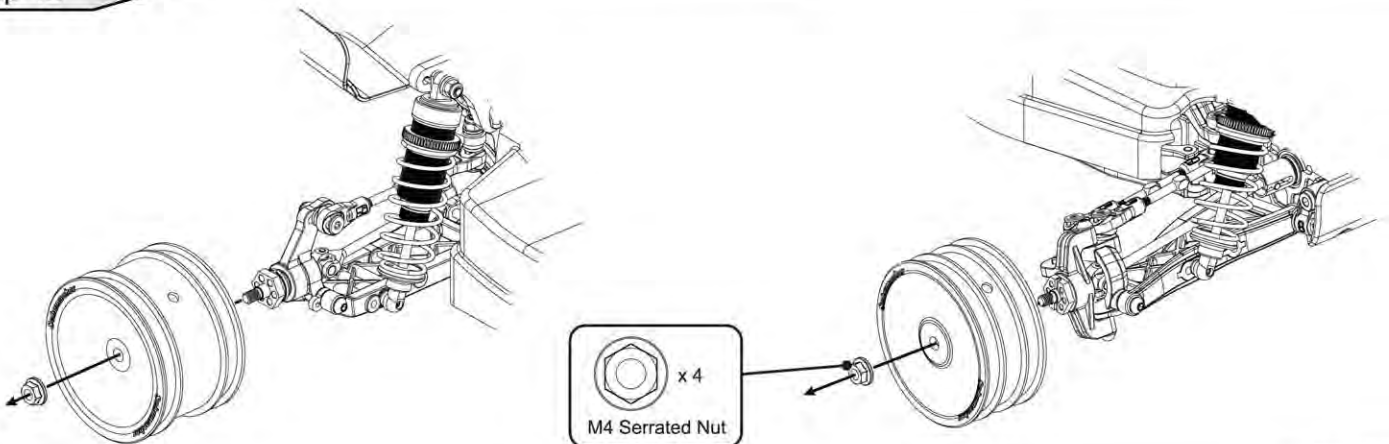
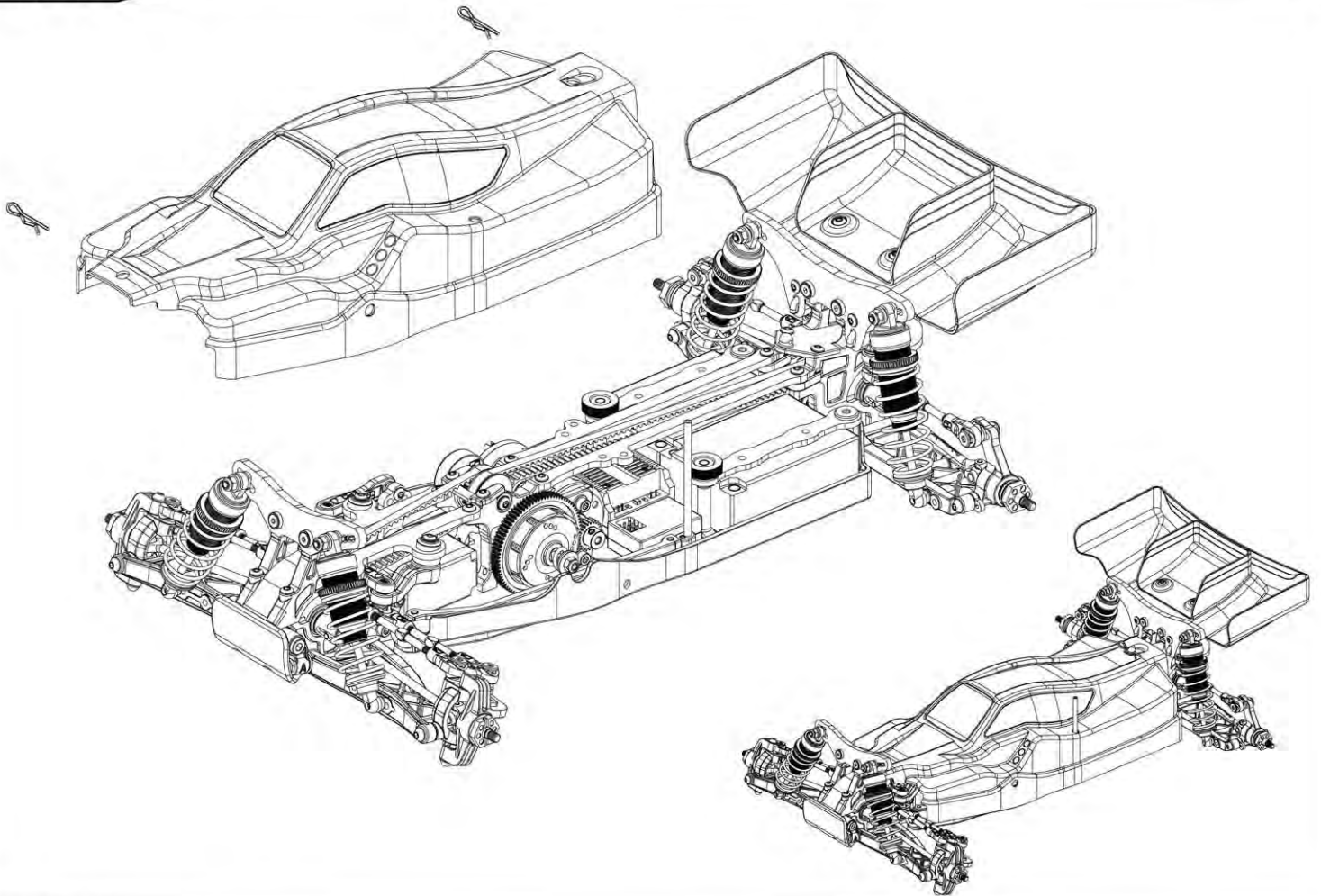
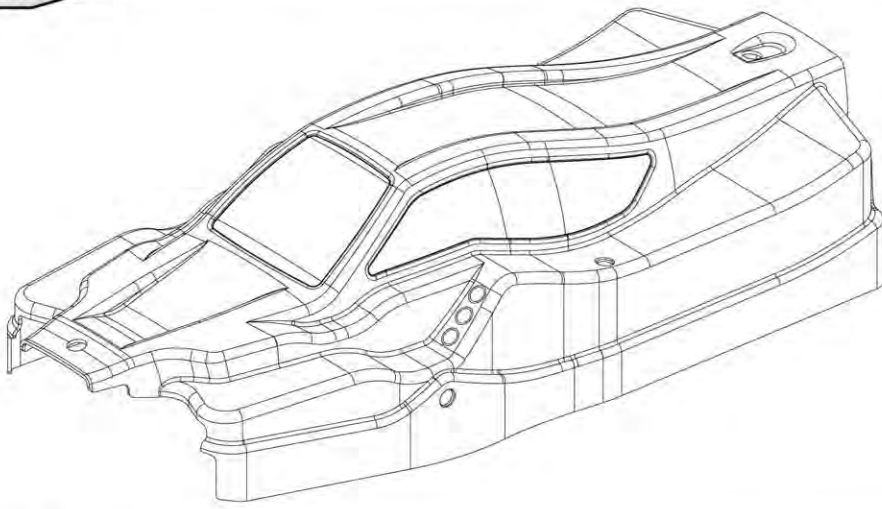




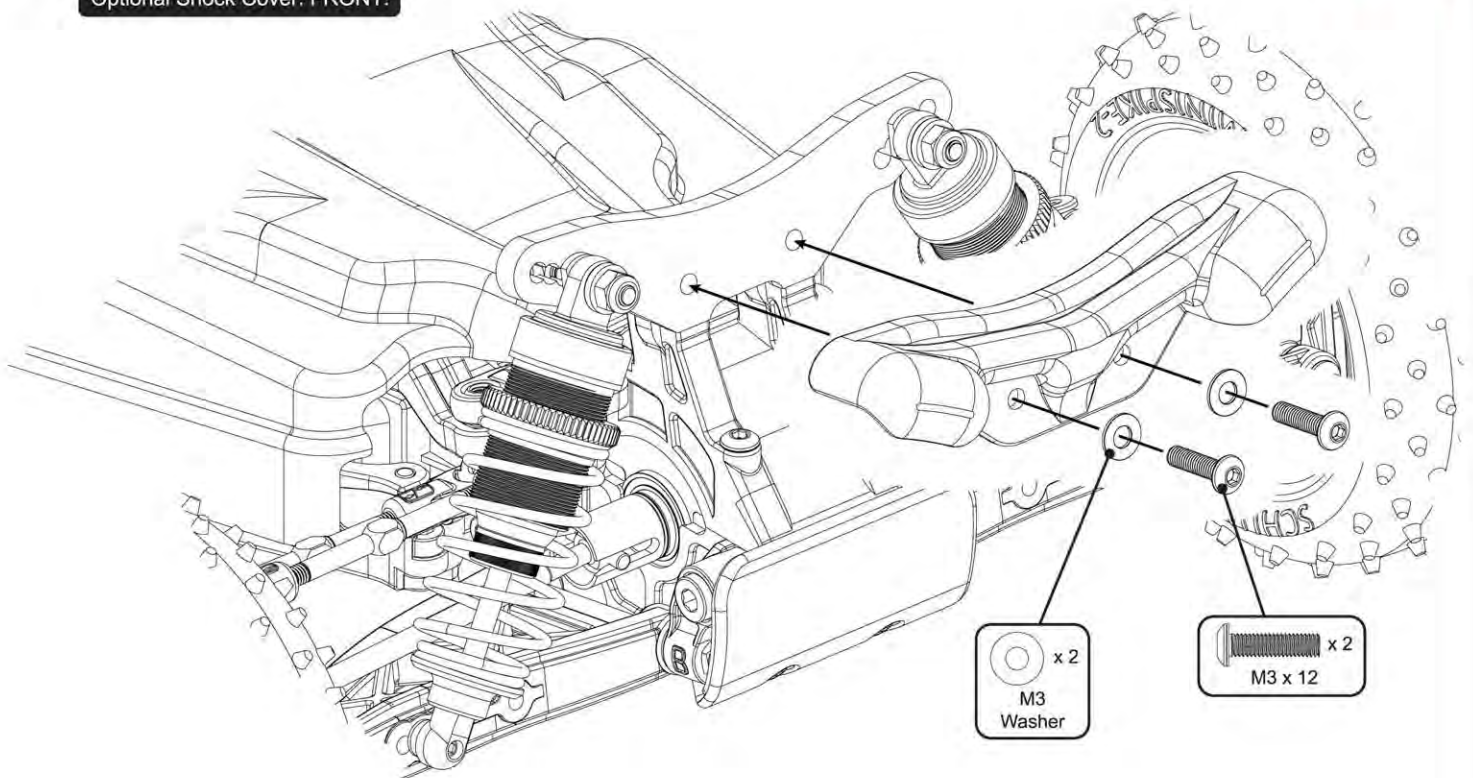




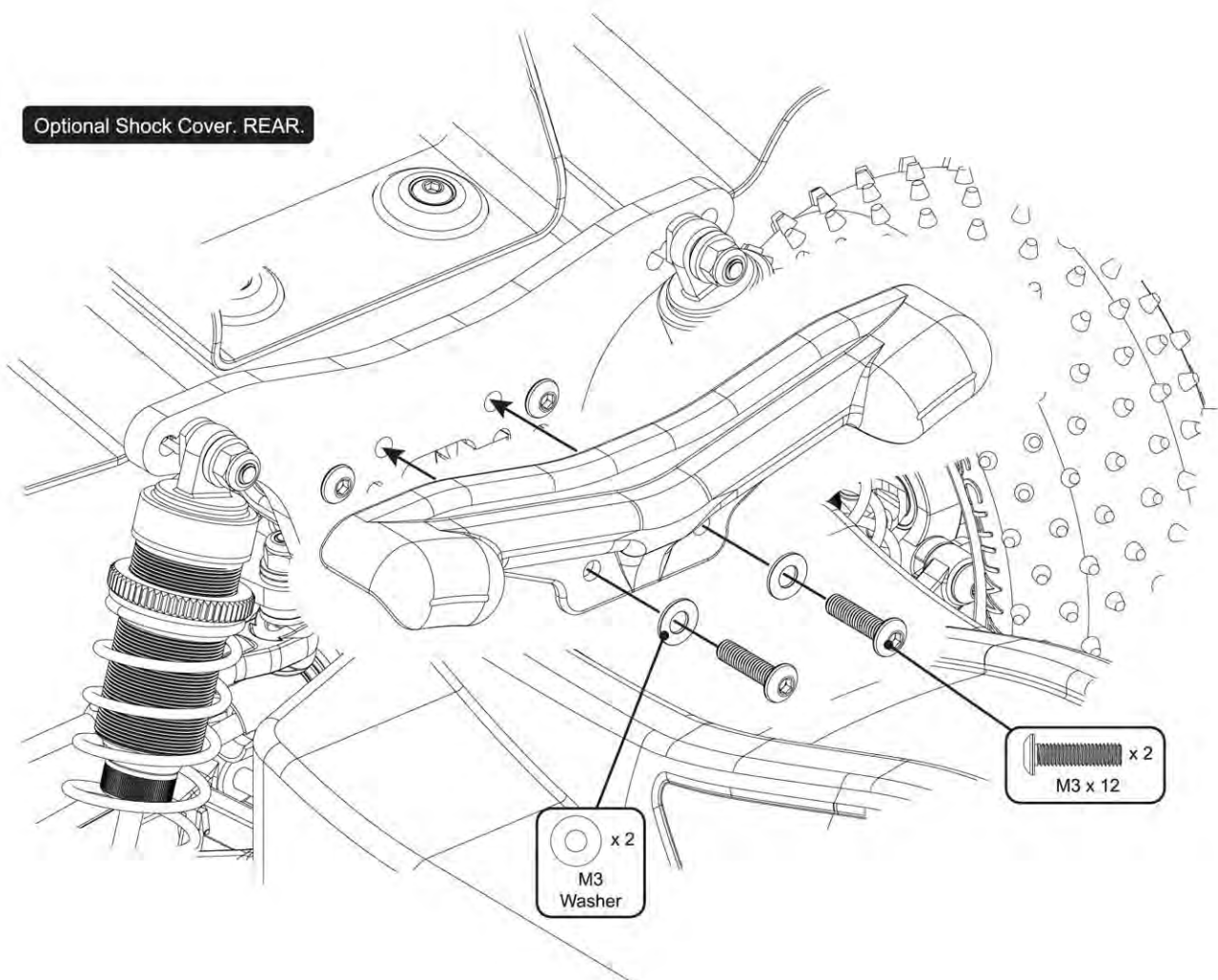


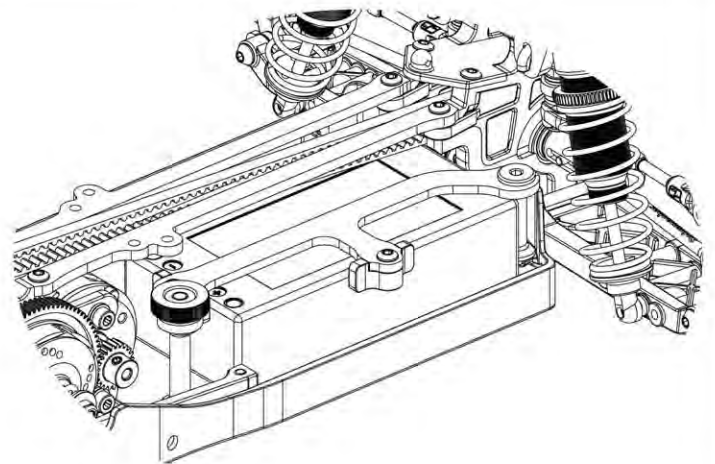
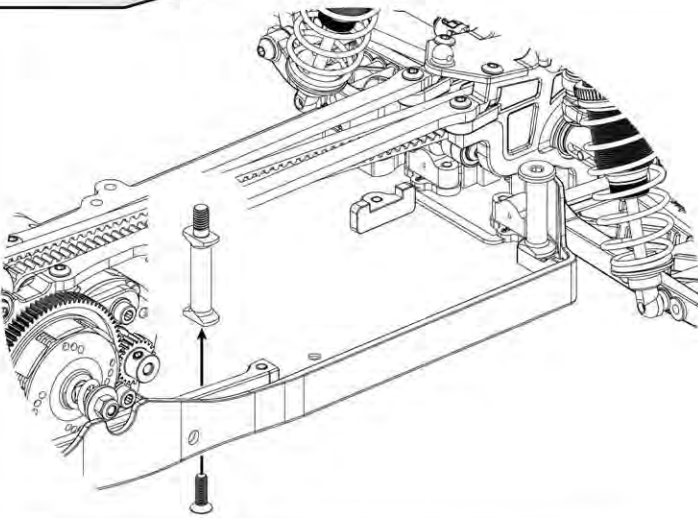
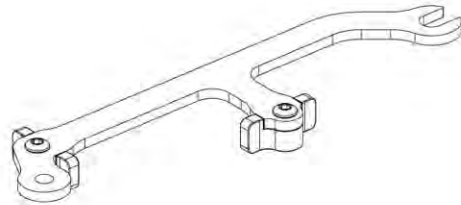
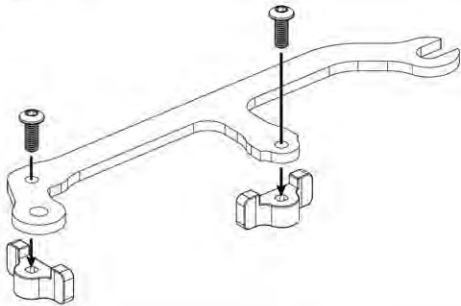
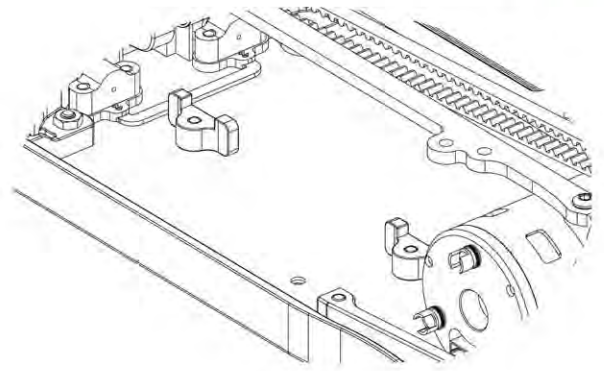
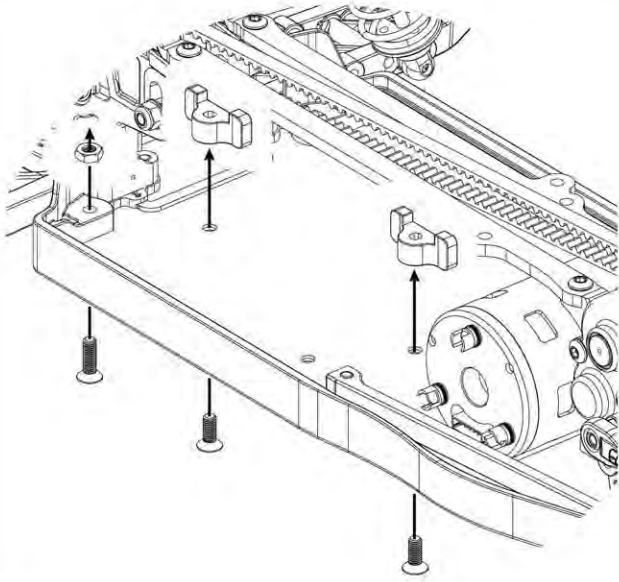


Optional Shock Cover. FRONT.



Optional Shock Cover. REAR.





Power Cap (Not supplied).

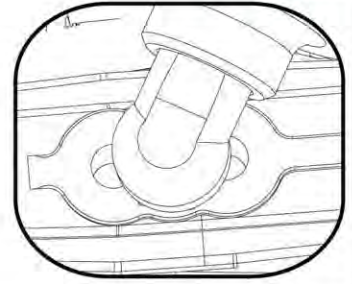
ESC (Not supplied).

Receiver (Not supplied).

Transponder (Not supplied).

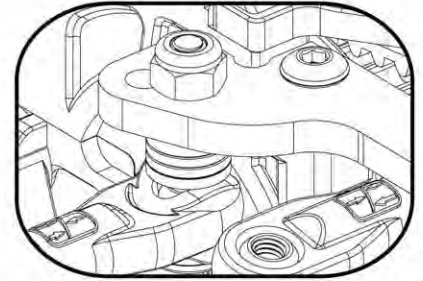
Front Wishbone Shock Mounting Hole

The middle hole in the wishbone is the standard setting for the lower shock absorber mounting. Moving the shock absorber to the outer hole increases the reaction of the steering as well as increasing the suspension stiffness. This position may cause a little too much initial turn in on corner approach. Using the inside hole will soften the suspension and also increase the total suspension travel, and will probably need spring and damping changes to make the best use of it. Anti roll bars are a good tuning aid when using different shock absorber positions on the wishbone.



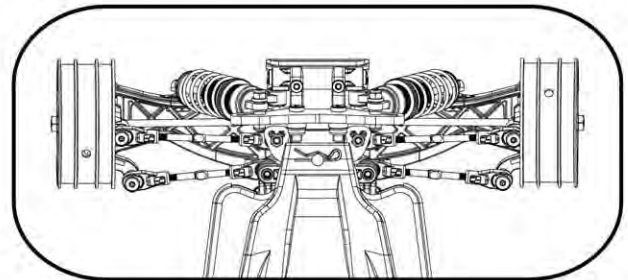
Front Camber Links

The kit front camber link position and length are the settings the Team recommend for most tracks. Using a long front link makes the front of the car roll more and will give less steering reaction at high speed. It is also not quite as good on very bumpy tracks. We would probably recommend this on fairly smooth high grip tracks. A shorter front link will make the car roll less and quicken the initial steering response. This is a better choice for bumpy low grip tracks. Lowering the inside ball stud will give a similar result to shortening the link, and raising it will give a similar result to lengthening the camber link, but with less total effect.



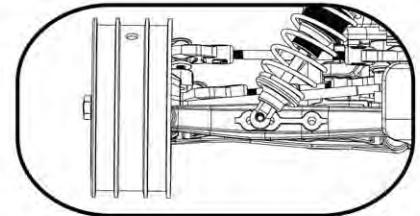
Front Toe in

Front toe in should be set to 0° (both front wheels pointing straight ahead) this will be the best setting for most track conditions. Adding slight toe out will increase initial turn in. Whereas slight toe in will make this initial turn in a little softer.



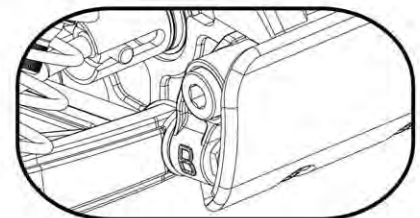
Front Camber

The usual team setting for static front camber is 1° negative at ride height (the top of the wheel is leaning inwards towards the car). Increasing the static camber will generally increase the mid corner steering, whereas decreasing the static camber usually makes the car smoother to drive by reducing the steering response.



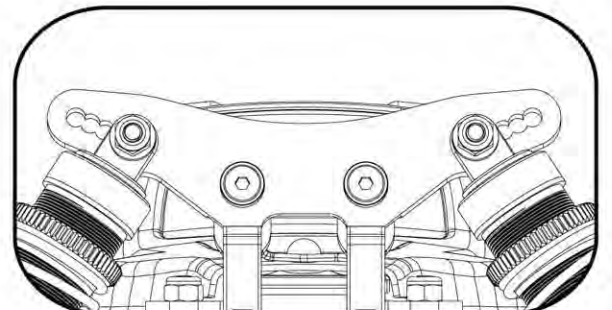
Front Rake

The std rake angle (kick up) is 10° on the Cat and needs adding to the castor block angle to get the total castor angle. The standard car uses a 10° castor block making the standard car 20° in total; this can be decreased to 17.5° by using the optional 7.5° castor block. Using less castor gives better corner entry steering but less power on steering at corner exit, and will make the steering feel a little sharper



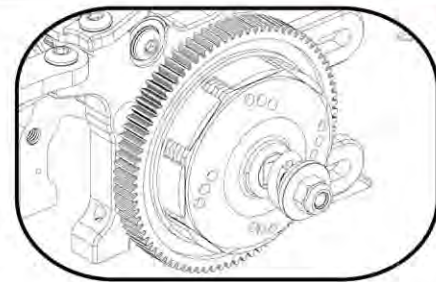
Front Shock Mount

The middle hole on the front shock mount is the most widely used position. Moving the shock to the outer position will make the car react faster and increase the initial steering response, it will however, stiffen the suspension which may require an oil and spring change so that the cars suspension feels the same. By moving the shock to the inner hole will soften the suspension and slow down the steering reaction and make the car smoother on bumpy tracks. You may need to alter the oil and spring combination to get the suspension correct again.



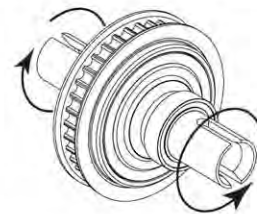
Slipper Clutch

On most tracks it is best to start with the slipper on a LOOSE setting, and gradually tighten the spring tension, until you achieve the most consistent drive away from turns without spinning the car or pulling wheelies. Make sure you still have enough drive when launching the car from the up ramps. **WARNING**, do not run the slipper too loose as it could melt the plastic spur gear, also too tight may damage the transmission parts.



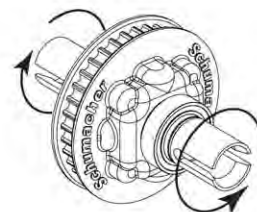
Ball Differential

For consistent performance it is vital that the differential action should be smooth and free. Diff adjustment is not a tuning aid and the diff should never be allowed to slip. A loose diff can usually be recognised by a "chirping" sound when powering away from turns or landing under power from large jumps. When rebuilding your ball differential we recommend using a U1954 thrust race and U3019 Ceramic Nitride balls for ultimate reliability and weight saving.



Gear Differential

Geared Diffs can give different driving characteristics. The handling of the diff is tuned by changing the oil. A recommended starting point is 10,000 cSt (CR222). Recommended option oils would be 20,000 cSt (CR223) and 15,000 cSt (CR230).



Gear Ratio (2.52:1)

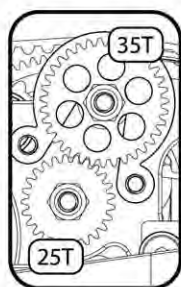
Tooth Sum 99 Minimum 114 Maximum

Pinion Gear

	17	18	19	20	21	22	23	24	25	26	27	28	29
83	12.30	11.62	11.01	10.46	9.96	9.51	9.09	8.72	8.37	8.04	7.75	7.47	7.21
82	12.16	11.48	10.88	10.33	9.84	9.39	8.98	8.61	8.27	7.95	7.65	7.38	7.13
81		11.34	10.74	10.21	9.72	9.28	8.87	8.51	8.16	7.85	7.56	7.29	7.04
80			10.61	10.08	9.60	9.16	8.77	8.40	8.06	7.75	7.47	7.20	6.95
76							8.33	7.98	7.66	7.37	7.09	6.84	6.60
71													6.17

Pinion Gear

	30	31	32	33	34	35	36	37	38	39	40	41	42
83	6.97	6.75											
82	6.89	6.67	6.46										
81	6.80	6.58	6.38	6.19									
80	6.72	6.50	6.30	6.11	5.93								
76	6.38	6.18	5.99	5.80	5.63	5.47	5.32	5.18	5.04				
71	5.96	5.77	5.59	5.42	5.26	5.11	4.97	4.84	4.71	4.59	4.47	4.36	4.26

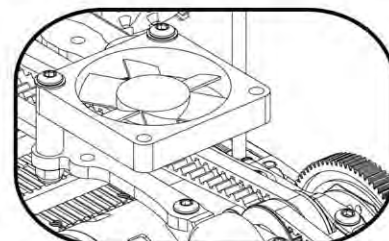


Spur Gear

Spur Gear

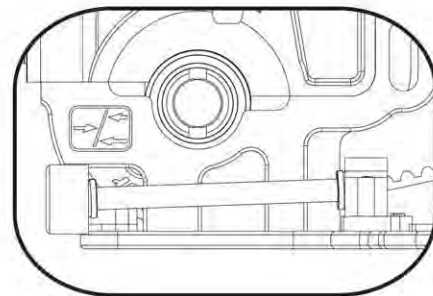
Fan Mounting (Requires U4787)

The Topdeck can accept both 40mm and 30mm Fans. We recommend the use of fans on high temperature conditions where additional cooling is required.



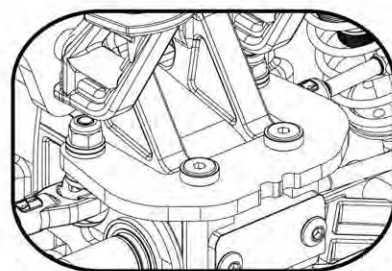
Rear Anti Squat

The standard anti squat is set at 2° . The team have found that this works best on most tracks, and with optional parts this can be increased or decreased. Generally less anti squat allows the suspension to work better over the large bumps but usually gives less power on traction. Adding more antisquat gives more forward traction up to the point where the car starts to pull wheelies. Backing off the slipper is not always an option to compensate for this as good initial bite is needed to clear big jumps. Adding more antisquat seems to make the car handle better over small ripples but not so good on the tracks with large bumps.



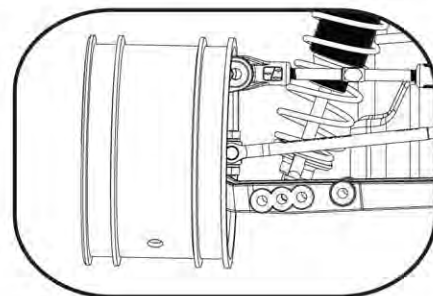
Rear Camber Link

The kit build rear camber link setting is the best compromise for most tracks. This is the middle link option and gives good stability and straight line traction while allowing the rear of the car to free up on high speed turns. This reduces power on under steer on high grip tracks. Shortening the rear camber link will make the rear of the car roll less in the corners, and square up faster when accelerating away from tight turns, longer links are generally used on high grip tracks and shorter links on low grip tracks. Lowering the inside ball stud will give a similar result to shortening the link, and raising it will give a similar result to lengthening the camber link, but with less total effect.



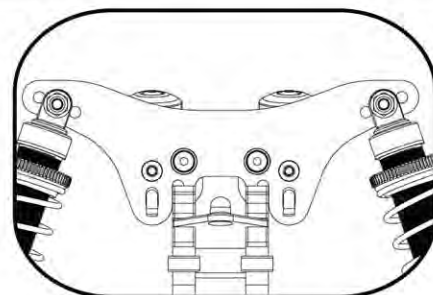
Rear Camber

The usual team setting for static rear camber is 1° negative at ride height (the top of the tyre leaning inwards towards the car). Increasing the static rear camber will increase the traction when exiting the turns, but will be less stable at high speed. Decreasing the camber will reduce stability and traction in the turns but will be more stable at high speed. (Some drivers believe that adding slight positive camber where the tyre leans out at the top away from the car, will improve straight line traction on loose surfaces)



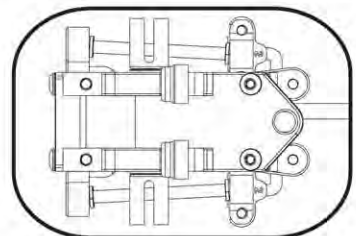
Rear Shock Mount

The middle hole on the shock mount gives best all round results. Moving the shock to the outer hole will stiffen the suspension and increase the reaction of the steering. The downside is less compliance over bumpy sections of the track. Moving the shock to the inboard position softens the suspension and will slow the steering reaction making the car smoother over the bumps. Moving the shock to these holes may require an oil or spring change to maintain the suspension performance.



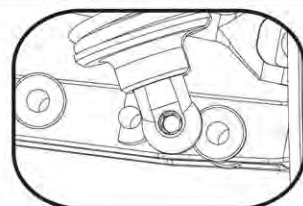
Rear Toe-In

The standard rear toe in is 3° this is a good compromise between forward traction and the car binding in the turns, this setting is fine for most tracks. You can alter the toe in by flipping the alloy blocks so that the flats face inward. If you are running too much toe in your car may suffer from instability at high speeds, decreasing the toe in will reduce forward traction but will free the car up in the turns. Usually the team use less toe in on high grip tracks and more for low grip tracks.



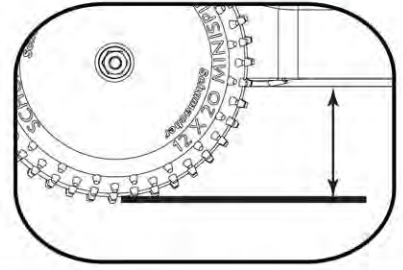
Rear Wishbone Shock Mounting Hole

The middle hole works best for most track conditions giving good traction and drive through the turns whilst maintaining good stability over the bumps. Moving to the outer hole on the wishbone will decrease traction but will allow the rear to free up more in the turns. This setting would usually only get used on high grip tracks and when moving the shock out you may have to change the oil and spring settings to get the same suspension feel.



Ride Height

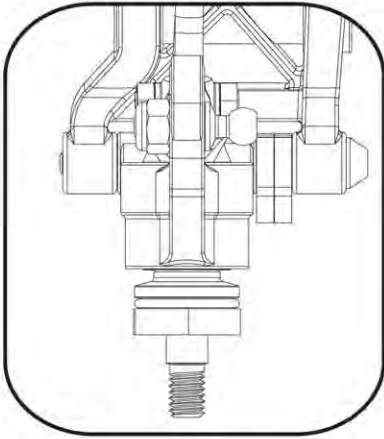
Use the spring adjusters on the shock absorbers to adjust the front and rear ride heights. We would recommend setting the ride height to around 19mm with the car level. This is measured between the bottom of the chassis and the ground with the car in running trim. First press the car down on to the ground and release it once or twice to settle the suspension before adjusting the ride height. The chassis should be level when viewed from the side. Adjusting the spring collars does not increase or decrease the spring stiffness only the preload. So if the suspension needs to be softer or harder change the spring.



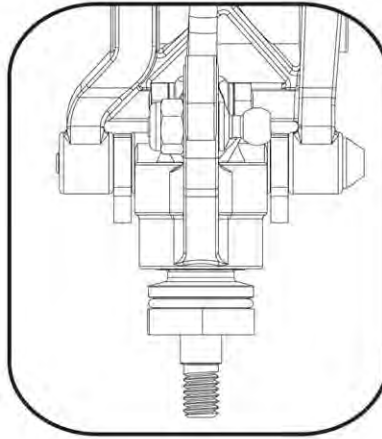
Wheel Base Adjustment

The Cat K2 has 3 wheelbase options at the rear, short, med and long. The adjustment is provided by re positioning the quick clips on the outer wishbone pin. Moving the rear hub carrier forwards will give more traction at the expense of stability over rough sections of the track, and moving the hub carrier to the middle or rear position usually improves stability over the rough sections, running the car in long wheelbase form also free's up the car on sweeping sections of the track.

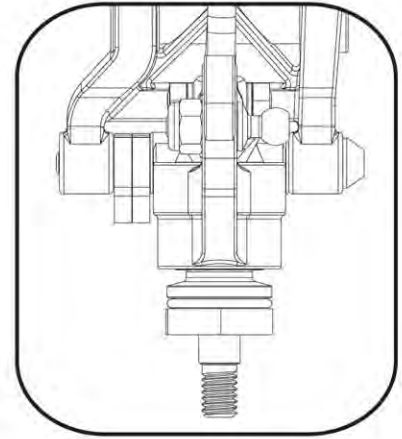
LONG



MED

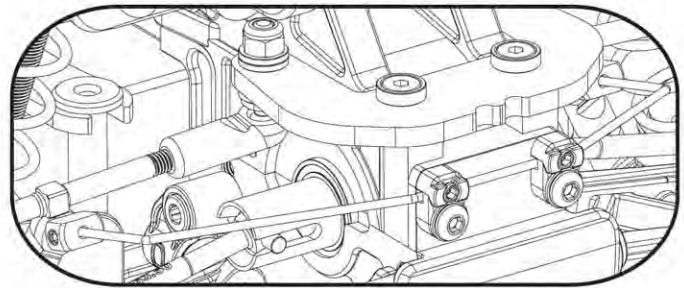


SHORT



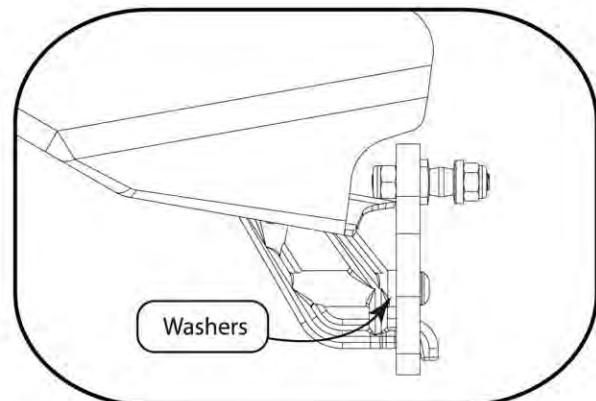
Rear Roll Bar

Anti roll bars are an often overlooked set up aid that allows fine tuning of the suspension without major changes to the shock and spring settings. They are mainly used to add roll stiffness to the car without affecting the handling on bumps and jumps. Running roll bars allows you to run softer suspension on bumpy tracks while reducing the roll in corners thus maintaining stability through the turns.



Rear Wing Angle

Removing the washers at the front of the wing mount will give the wing more angle and increase rear downforce, adding washers will level the wing out giving less downforce.



4WD Front Mini Pin (pr)



- U6607 - Yellow Compound
- U6601 - Blue Compound
- U6777 - Silver Compound
- U6741 - Yellow Compound Pre-Glued Pin Drive
- U6791 - Yellow Compound Pre-Glued 12mm Hex Drive

Rear Mini Pin & Mini Pin 2 (pr)



- U6608 - Yellow Compound - (Mini Pin)
- U6804 - Yellow Compound - (Mini Pin 2)
- U6803 - Blue Compound - (Mini Pin 2)
- U6805 - Silver Compound - (Mini Pin 2)
- U6806 - Yellow Compound - (Mini Pin 2) - Pre-Glued 12mm Hex Drive

Off-Road Inserts

- U6653 - GREY Foam Tyre Insert; Hard - Rear - CAT (pr)
- U6667 - GREY Foam Tyre Insert; Hard - Slim 2WD (pr)
- U6668 - WHITE Foam Tyre Inserts; Soft - Ultra Wide (pr)
- U6669 - GREY Foam Tyre Inserts; Hard - Ultra Wide (pr)
- U6733 - BLUE Foam Tyre Insert; Med - Front - CAT (pr)
- U6734 - BLUE Foam Tyre Insert; Med - Rear - CAT (pr)
- U6746 - BLUE Tubby Insert; Med Front - CAT (pr)
- U6747 - BLUE Tubby Insert; Med Rear - CAT (pr)
- U6738 - BLUE Foam Tyre Insert; Med - Slim 2WD (pr)

2WD Slim Mini Spike 2 (pr)



- U6581 - Yellow Compound
- U6550 - Green Compound
- U6549 - Blue Compound
- U6761 - Silver Compound
- U6753 - Yellow Compound Pre-Glued Pin Drive

Front Mini Spike 2 (pr)



- U6557 - Yellow Compound
- U6517 - Blue Compound
- U6515 - Green Compound
- U6762 - Silver Compound
- U6739 - Yellow Compound Pre-Glued Pin Drive
- U6793 - Yellow Compound Pre-Glued 12mm Hex Drive

Rear Mini Spike 2 (pr)



- U6558 - Yellow Compound
- U6518 - Blue Compound
- U6516 - Green Compound
- U6763 - Silver Compound
- U6740 - Yellow Compound Pre-Glued Pin Drive
- U6794 - Yellow Compound Pre-Glued 12mm Hex Drive

2WD Slim Low Profile Cut Stagger (pr)



- U6770 - Yellow Compound
- U6771 - Green Compound
- U6775 - Silver Compound
- U6776 - Blue Compound
- U6801 - Yellow Compound Pre-Glued 12mm Hex Drive

2 Row Stud (pr)



- U6797 - Yellow Compound

4WD Wide Stagger Rib (pr)



- U6810 - Yellow Compound
- U6811 - Silver Compound
- U6812 - Yellow Compound Pre-Glued 12mm Hex Drive

2.2" Front Full Spike (pr)



- U6595 - Yellow Compound

2.2" Rear Full Spike (pr)



- U6596 - Yellow Compound

4WD Front 2" Block (pr)



- T693 - Blue Compound
- U6787 - Yellow Compound

'The Original' 2" Front Full Spike (pr)



- T652 - Soft Compound

'The Original' 2" Rear Full Spike (pr)



- T650 - Soft Compound

Rear 2" Block (pr)



- T692 - Blue Compound
- U6786 - Yellow Compound



Wheels

- U4365 - Wheel Hex Rear - (black) - (pr)
- U4366 - Wheel Hex Rear - (white) - (pr)
- U4495 - Wheel Hex Front - (black) - (pr)
- U4496 - Wheel Hex Front - (white) - (pr)



3 Layer Soft Shell Team Jacket - Black

- G339XS Extra Small - 34 inch chest
- G339S Small - 38 inch chest
- G339M Medium - 41 inch chest
- G339L Large - 44 inch chest
- G339XL X Large - 46 inch chest
- G339XXL XX Large - 48 inch chest
- G339XXXL XXX Large - 50 inch chest



Team Hooded Sweatshirt - Navy Blue

- G343S Small
- G343M Medium
- G343L Large
- G343XL Extra Large



G352 Schumacher Team Umbrella



Caps - Black

- G340 Schumacher Baseball Cap
- G341 Schumacher Flat bill Cap



2013 Team Polo Shirt - Navy blue

- G344S Small
- G344M Medium
- G344L Large
- G344XL X Large
- G344XXL XX Large
- G344XXXL XXX Large
- G344XXXXL XXXX Large
- G344XXXXXL XXXXX Large



2013 Team T-Shirt - Navy blue

- G342S Small
- G342M Medium
- G342L Large
- G342XL X Large
- G342XXL XX Large
- G342XXXL XXX Large
- G342XXXXL XXXX Large
- G342XXXXXL XXXXX Large



G338 2 Tone Beanie Knitted Hat



G351 Schumacher Thermo Mug



G315 Schumacher Pit Towel



**G310 Schumacher Rubber Pit Mat
750mm x 500mm**



S500B - Team Schumacher Banner 3ft x 6ft



U3605 - Alloy Rear Hubs 1° (Pair)



U4158 - M4 x12 Alloy Cap Hd Purple



U1573 - Titanium Turnbuckle; purple - 53mm (pr)
 U1905 - Titanium Turnbuckle; purple - 35mm (pr)
 U2566 - Titanium Turnbuckle - 45mm (pr)



U4615 - Alloy Trans Housing (Reverser only) - KF/K1/Aero



U4785 - Alloy Front Upper Trans - CAT K2 (pr)



U4784 - Alloy Yokes 7.5Deg - CAT K2



U4640 - Alloy Rear Link Mount - 2WD/4WD



U4789 - FAB Front Adjustable Brake - CAT K2
 U4790 - FAB Front Pulley & One Way Bearing - CAT K2
 U4791 - FAB Idler Shaft - CAT K2
 U4792 - FAB Rear Pulley - CAT K2
 U4793 - FAB Fences - CAT K2
 U4794 - FAB Washers P.T.F.E - CAT K2 - (2 pcs)



U3556 - Pivot Block M4; Front 10 degree



U3611 - CNC Alloy Shock Spring Seat (pr)



U3597 - Wishbone; Front Stiff - Cat SX2 pr



U4774 - Alloy Lipo Nut - CAT K2 - (2pcs)



CORE RC
 CR465 - Alloy Offset Servo Arm 23T
 CR466 - Alloy Offset Servo Arm 25T



U4054 - Wishbones Rear Medium - Cougar SV2



U4776 - Alloy Radius Arms - CAT K2

U4130 - Vented Shock Caps - Small Bore - (Pr)
 U4209 - Vented Shock Caps - Big Bore - (pr)



U4169 - CF Link Mount; Rear 33.50mm
 U4138 - CF Link Mount; Rear (Kit) 38.00mm
 U4170 - CF Link Mount; Rear 42.50mm



U3782
 HD Diaphragm Big Bore - pk4



U4779 - Transverse Shorty LiPo Strap - CAT K2



Assembled Small Bore Shocks



U4152 - Front
 U4153 - Rear

Big Bore Rounded Shock Pistons
 U3770 - 3 Hole Pistons (pr)
 U3771 - 5 Hole Pistons (pr)



Big Bore Standard Shock Pistons
 U3670 - 2 Hole Pistons (pr)
 U3671 - 4 Hole Pistons (pr)
 U3672 - 6 Hole Pistons (pr)



Small Bore Taper Pistons
 U4125 1.2mm - White pr
 U4126 1.3mm (Kit) - Black pr
 U4127 1.4mm - Red pr



U2856 - Sticky Cable Clips (Pk 10)



CR043 - CORE RC - Silver X-Weights 16pcs
 CR058 - CORE RC - Black X-Weights 16pcs



U1300 - Axle Grease



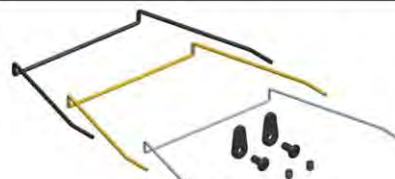
U1957 - Moly Grease



U1301 - Silicone Diff Lube



Ball Differential
 U1954 - Pro - Thrust Bearing
 U3019 - Diff Balls; Ceramic Nitride 2.5mm (pk12)
 U3852 - Diff Output; Male - CAT SX3
 U3853 - Diff Output; Female - CAT SX3
 U3854 - Diff Screw Set; HD
 U3855 - Ball Bearing 5x10x3 Open (pr)
 U4196 - Diff Pulley & Fences - CAT K1
 U4199 - Diff HD - Assembled - CAT K1



U4772 - Front Roll Bar Set - CAT K2



U4780 - Rear Roll Bar Set - CAT K2



U4786 - Roche Driveshaft - CAT K2 - (pr)

CORE Big Bore shock springs are fitted to the CAT K2 as standard. They are recommended for outdoor racing.



Part Number	Spring ID	Rate lbs/in	Wire Dia (mm)	Coils	Length (mm)
Front					
CR179	White	2.8	1.23	9.3	46.2
CR180	Red	3.1	1.23	8.8	45.5
CR181	Green	3.4	1.23	8.3	44.7
CR182	Blue	3.7	1.23	7.8	44.0
CR183	Black	4.0	1.23	7.3	43.2
CR177	Tuning set Medium 5 (prs)				
Rear					
CR184	White	1.8	1.23	13.9	64.8
CR185	Red	2.0	1.23	12.7	63.5
CR186	Green	2.2	1.23	11.8	62.2
CR187	Blue	2.4	1.23	10.8	61.0
CR188	Black	2.6	1.23	10.0	59.7
CR178	Tuning set Long 5 (prs)				



Schumacher Big Bore shock springs offer a broader range and include stiffer rates for high grips tracks. The rears are also shorter for a lower ride height.

Part Number	Rate lbs/in	Length (mm)
Front (Med)		
U3675	2.0	51.2
U3676	2.5	48.7
U3677	3.0	46.1
U3678	3.5	44.9
U3679	4.0	43.6
U3680	4.5	42.3
U3681	5.0	41.1
U3673	Front Set (7prs)	
Rear (Long)		
U3682	1.6	63.5
U3683	2.0	58.4
U3684	2.5	55.8
U3685	3.0	53.3
U3686	3.5	52.0
U3687	4.0	50.8
U3674	Rear Set (6prs)	

Driver & Event	
Name	
Date	
Event	
Weather	
Result	

Electrics & Chassis	
E.S.C	
Servo	
Receiver	
Batteries	
Shorty Position	Front <input type="checkbox"/> Back <input type="checkbox"/>
Transverse Shorty	Yes <input type="checkbox"/> No <input type="checkbox"/>
Chassis Stiffeners	Yes <input type="checkbox"/> No <input type="checkbox"/>
Chassis	Alloy <input type="checkbox"/> Carbon <input type="checkbox"/>

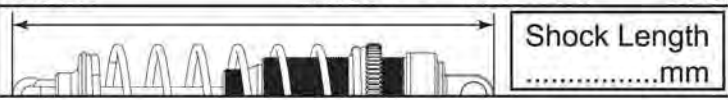
Motor & Gearing	
Motor	
Rotor Diameter	
Timing	
Spur	
Pinion	

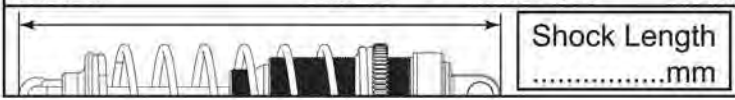
Track Conditions	
Grip Level	High <input type="checkbox"/> Med <input type="checkbox"/> Low <input type="checkbox"/>
Type	Tight <input type="checkbox"/> Open <input type="checkbox"/> Mixed <input type="checkbox"/>
Surface	Clay <input type="checkbox"/> Astro <input type="checkbox"/> Grass <input type="checkbox"/> Mixed <input type="checkbox"/> Carpet <input type="checkbox"/>
Condition	Smooth <input type="checkbox"/> Bumpy <input type="checkbox"/>

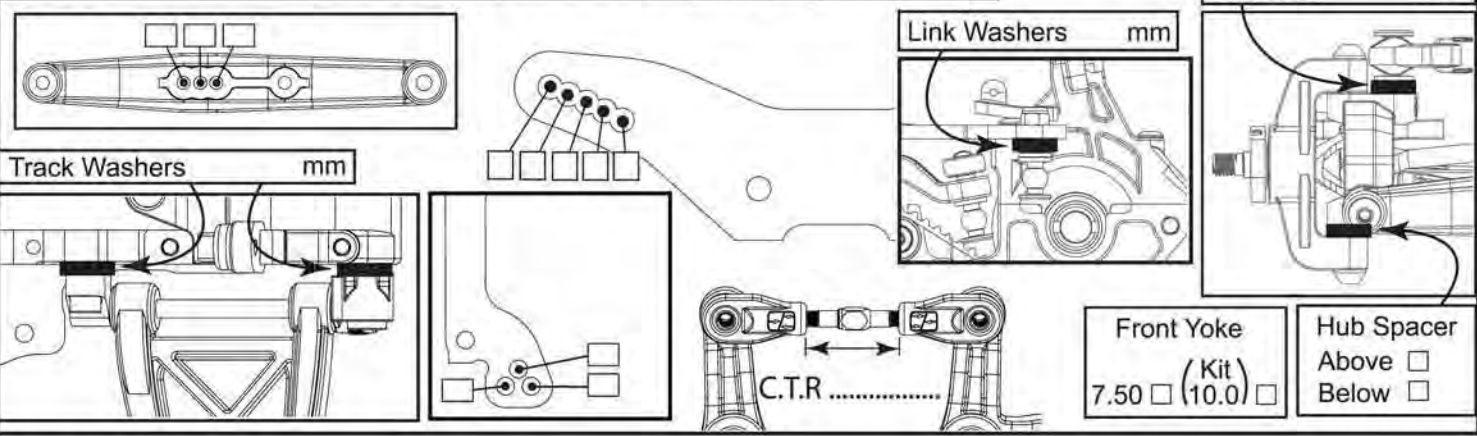
Wheels & Tyres	
Rr Tyre	
Rr Wheel	
Rr Insert	
Fr Tyre	
Fr Wheel	
Fr Insert	

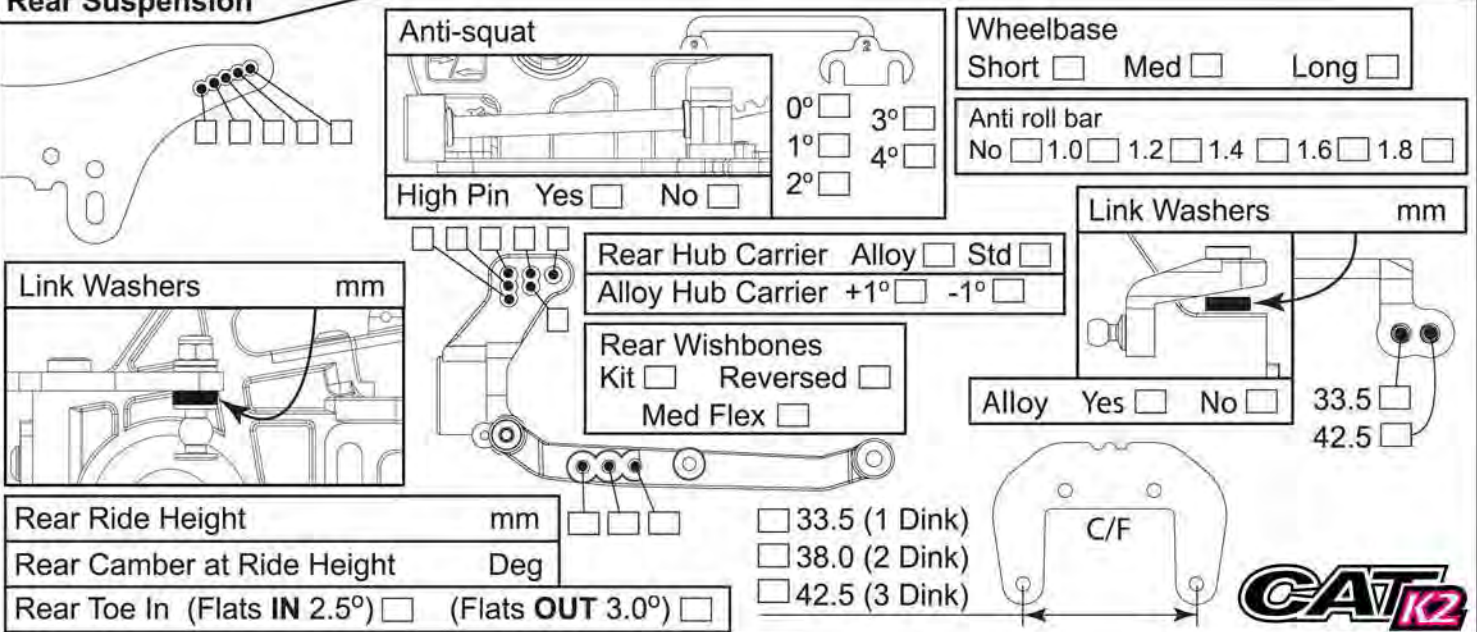
Notes	
Car weight	g
Wing Gurney Height	mm

Diff Type	
Diff Oil	
Front	Ball <input type="checkbox"/> Gear <input type="checkbox"/>
Rear	Ball <input type="checkbox"/> Gear <input type="checkbox"/>

Front Shocks	
Spring	Shock Cap Sealed <input type="checkbox"/>
Oil	Vented <input type="checkbox"/> Emulsion <input type="checkbox"/>
Piston	Drilled <input type="checkbox"/> Hole Size mm
	
Shock Lengthmm	

Rear Shocks	
Spring	Shock Cap Sealed <input type="checkbox"/>
Oil	Vented <input type="checkbox"/> Emulsion <input type="checkbox"/>
Piston	Drilled <input type="checkbox"/> Hole Size mm
	
Shock Lengthmm	

Front Suspension	
Anti roll bar	No <input type="checkbox"/> 1.4 <input type="checkbox"/> 1.6 <input type="checkbox"/> 1.8 <input type="checkbox"/> 2.0 <input type="checkbox"/>
Camber at Ride Height	Deg
Toe-In	Deg
Ride Height	mm
Washers	mm
Track Washers	mm
Link Washers	mm
Front Yoke	7.50 <input type="checkbox"/> (Kit) <input type="checkbox"/>
Hub Spacer	Above <input type="checkbox"/> Below <input type="checkbox"/>
	
C.T.R	

Rear Suspension	
Anti-squat	0° <input type="checkbox"/> 3° <input type="checkbox"/> 1° <input type="checkbox"/> 4° <input type="checkbox"/> 2° <input type="checkbox"/>
High Pin	Yes <input type="checkbox"/> No <input type="checkbox"/>
Wheelbase	Short <input type="checkbox"/> Med <input type="checkbox"/> Long <input type="checkbox"/>
Anti roll bar	No <input type="checkbox"/> 1.0 <input type="checkbox"/> 1.2 <input type="checkbox"/> 1.4 <input type="checkbox"/> 1.6 <input type="checkbox"/> 1.8 <input type="checkbox"/>
Link Washers	mm
Rear Hub Carrier	Alloy <input type="checkbox"/> Std <input type="checkbox"/>
Alloy Hub Carrier	+1° <input type="checkbox"/> -1° <input type="checkbox"/>
Rear Wishbones	Kit <input type="checkbox"/> Reversed <input type="checkbox"/>
Med Flex	<input type="checkbox"/>
Alloy	Yes <input type="checkbox"/> No <input type="checkbox"/>
Rear Ride Height	mm
Rear Camber at Ride Height	Deg
Rear Toe In (Flats IN 2.5°)	(Flats OUT 3.0°) <input type="checkbox"/>
	
C/F	
33.5 <input type="checkbox"/> 38.0 (2 Dink) <input type="checkbox"/> 42.5 (3 Dink) <input type="checkbox"/>	



Driver & Event	
Name	James Helliwell
Date	August 2015
Event	Test Day
Weather	Dry
Result	NIA

Electrics & Chassis	
E.S.C	Hobbywing V3.1
Servo	RSX2 KO Response
Receiver	KR-413FH
Batteries	Nosram 4300
Shorty Position	Front <input type="checkbox"/> Back <input checked="" type="checkbox"/>
Transverse Shorty	Yes <input type="checkbox"/> No <input checked="" type="checkbox"/>
Chassis Stiffeners	Yes <input checked="" type="checkbox"/> No <input type="checkbox"/>
Chassis	Alloy <input checked="" type="checkbox"/> Carbon <input type="checkbox"/>

Motor & Gearing	
Motor	6.5 Hobbywing
Rotor Diameter	STD
Timing	20°
Spur	83T
Pinion	22T


Track Conditions	
Grip Level	High <input type="checkbox"/> Med <input checked="" type="checkbox"/> Low <input type="checkbox"/>
Type	Tight <input type="checkbox"/> Open <input checked="" type="checkbox"/> Mixed <input type="checkbox"/>
Surface	Clay <input type="checkbox"/> Astro <input checked="" type="checkbox"/> Grass <input type="checkbox"/> Mixed <input type="checkbox"/> Carpet <input type="checkbox"/>
Condition	Smooth <input type="checkbox"/> Bumpy <input checked="" type="checkbox"/>

Wheels & Tyres	
Rr Tyre	U6558 Minispike 2
Rr Wheel	Kit STD
Rr Insert	U6734 Medium
Fr Tyre	U6770 Cut Stagger
Fr Wheel	Kit STD
Fr Insert	None

Notes	
Car weight	g
Wing Gurney Height	-7.0 mm
F.A.B	
Core Springs	
2mm Bumpsteer washer	


Diff Type	
Front	Ball <input type="checkbox"/> Gear <input checked="" type="checkbox"/> 20,000
Rear	Ball <input type="checkbox"/> Gear <input checked="" type="checkbox"/> 15,000

Front Shocks	
Oil	450 Red
Spring	Red
Shock Cap	Sealed <input type="checkbox"/> Vented <input type="checkbox"/> Emulsion <input checked="" type="checkbox"/>
Piston	Kit White Drilled <input type="checkbox"/> Hole Size 1.5 mm



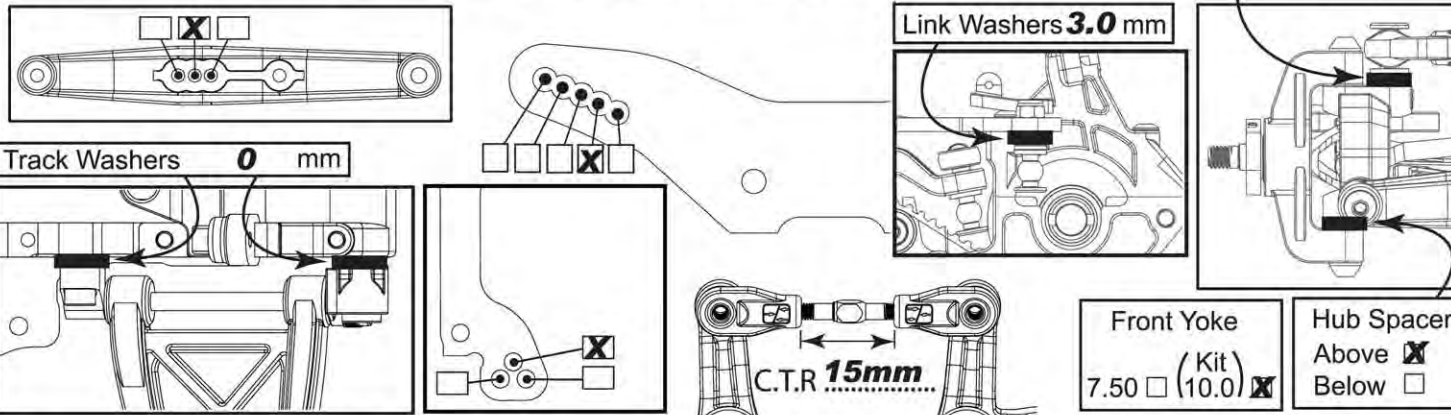
Shock Length **83.60**.....mm

Rear Shocks	
Oil	400 Red
Spring	Red
Shock Cap	Sealed <input type="checkbox"/> Vented <input type="checkbox"/> Emulsion <input checked="" type="checkbox"/>
Piston	Kit Black Drilled <input type="checkbox"/> Hole Size 1.6 mm



Shock Length **95.50**.....mm

Front Suspension	
Anti roll bar	No <input checked="" type="checkbox"/> 1.4 <input type="checkbox"/> 1.6 <input type="checkbox"/> 1.8 <input type="checkbox"/> 2.0 <input type="checkbox"/>
Camber at Ride Height	-1.0 Deg
Toe-In	-1.0 Deg
Ride Height	18 mm
Washers	0 mm



Track Washers **0** mm

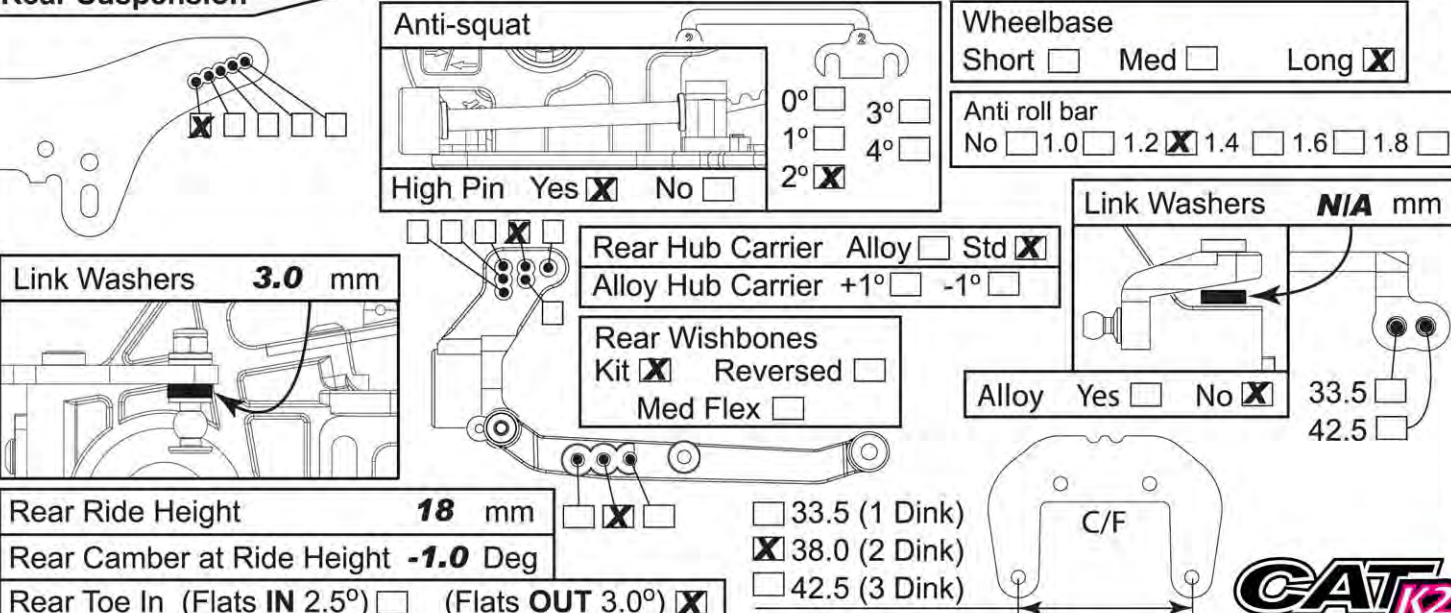
Link Washers **3.0** mm

Front Yoke 7.50 (Kit) 10.0

Hub Spacer Above Below

C.T.R **15**mm.....

Rear Suspension	
Anti-squat	0° <input type="checkbox"/> 3° <input type="checkbox"/> 1° <input type="checkbox"/> 4° <input type="checkbox"/> 2° <input checked="" type="checkbox"/>
High Pin	Yes <input checked="" type="checkbox"/> No <input type="checkbox"/>
Wheelbase	Short <input type="checkbox"/> Med <input type="checkbox"/> Long <input checked="" type="checkbox"/>
Anti roll bar	No <input type="checkbox"/> 1.0 <input type="checkbox"/> 1.2 <input checked="" type="checkbox"/> 1.4 <input type="checkbox"/> 1.6 <input type="checkbox"/> 1.8 <input type="checkbox"/>
Link Washers	NIA mm
Rear Hub Carrier	Alloy <input type="checkbox"/> Std <input checked="" type="checkbox"/>
Alloy Hub Carrier	+1° <input type="checkbox"/> -1° <input type="checkbox"/>
Rear Wishbones	Kit <input checked="" type="checkbox"/> Reversed <input type="checkbox"/> Med Flex <input type="checkbox"/>
Alloy	Yes <input type="checkbox"/> No <input checked="" type="checkbox"/>
Rear Ride Height	18 mm
Rear Camber at Ride Height	-1.0 Deg
Rear Toe In (Flats IN 2.5°)	(Flats OUT 3.0°) <input checked="" type="checkbox"/>
Alloy	33.5 <input type="checkbox"/> 38.0 <input checked="" type="checkbox"/> 42.5 <input type="checkbox"/>



Link Washers **3.0** mm

C/F



Driver & Event	
Name	Michal Orlowski
Date	August 2015
Event	Test Day
Weather	Dry
Result	NIA

Electrics & Chassis	
E.S.C	Reventon Pro 1.1
Servo	RSX2 KO Response
Reciever	Sanwa RX-451R
Batteries	Shorty
Shorty Position	Front <input type="checkbox"/> Back <input checked="" type="checkbox"/>
Transverse Shorty	Yes <input type="checkbox"/> No <input checked="" type="checkbox"/>
Chassis Stiffeners	Yes <input checked="" type="checkbox"/> No <input type="checkbox"/>
Chassis	Alloy <input checked="" type="checkbox"/> Carbon <input type="checkbox"/>

Motor & Gearing	
Motor	6.5 SP V4
Rotor Diameter	STD
Timing	STD
Spur	83T
Pinion	20T


Track Conditions	
Grip Level	High <input type="checkbox"/> Med <input checked="" type="checkbox"/> Low <input type="checkbox"/>
Type	Tight <input type="checkbox"/> Open <input type="checkbox"/> Mixed <input checked="" type="checkbox"/>
Surface	Clay <input checked="" type="checkbox"/> Astro <input type="checkbox"/> Grass <input type="checkbox"/> Mixed <input type="checkbox"/> Carpet <input type="checkbox"/>
Condition	Smooth <input checked="" type="checkbox"/> Bumpy <input type="checkbox"/>

Wheels & Tyres	
Rr Tyre	PL Holeshoot M3
Rr Wheel	Kit STD
Rr Insert	PL STD
Fr Tyre	PL Holeshoot M3
Fr Wheel	Kit STD
Fr Insert	PL STD


Notes	
Car weight	g
Wing Gurney Height	-4.0 mm
F.A.B	
Core Springs	
2mm Bumpsteer washer	

Diff Type	
Front	Ball <input type="checkbox"/> Gear <input checked="" type="checkbox"/> 10,000
Rear	Ball <input type="checkbox"/> Gear <input checked="" type="checkbox"/> 10,000

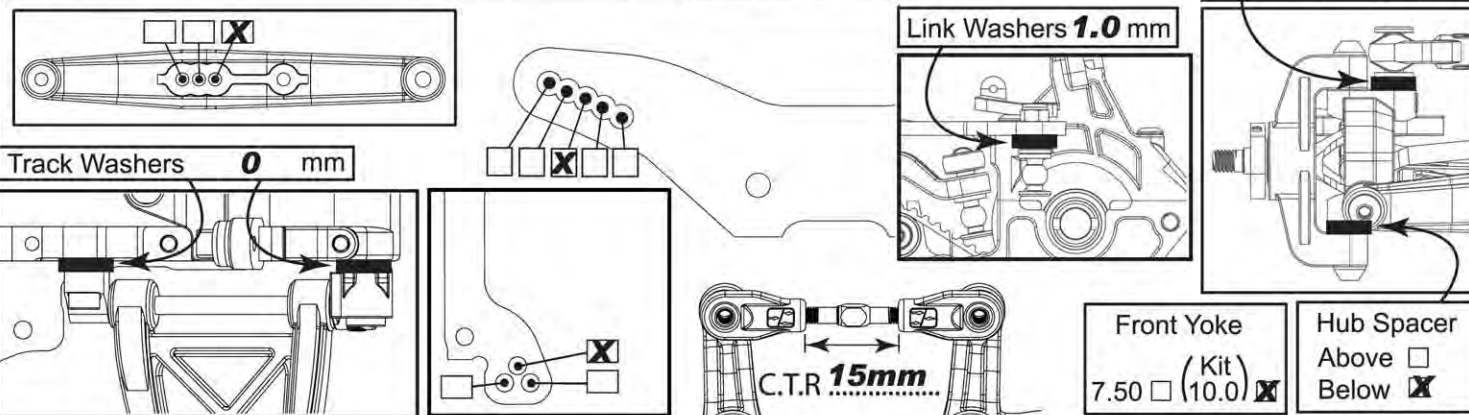
Front Shocks	
Oil	350
Spring	Green
Shock Cap	Sealed <input type="checkbox"/> Vented <input type="checkbox"/> Emulsion <input checked="" type="checkbox"/>
Piston	Kit White Drilled <input type="checkbox"/> Hole Size 1.5 mm



Rear Shocks	
Oil	350
Spring	Green
Shock Cap	Sealed <input type="checkbox"/> Vented <input type="checkbox"/> Emulsion <input checked="" type="checkbox"/>
Piston	Kit White Drilled <input type="checkbox"/> Hole Size 1.5 mm



Front Suspension	
Anti roll bar	No <input checked="" type="checkbox"/> 1.4 <input type="checkbox"/> 1.6 <input type="checkbox"/> 1.8 <input type="checkbox"/> 2.0 <input type="checkbox"/>
Camber at Ride Height	-1.5 Deg
Toe-In	0 Deg
Ride Height	20 mm
Washers	1.5 mm



Rear Suspension	
Anti-squat	0° <input type="checkbox"/> 3° <input type="checkbox"/> 1° <input checked="" type="checkbox"/> 4° <input type="checkbox"/> 2° <input type="checkbox"/>
High Pin	Yes <input checked="" type="checkbox"/> No <input type="checkbox"/>
Wheelbase	Short <input type="checkbox"/> Med <input checked="" type="checkbox"/> Long <input type="checkbox"/>
Anti roll bar	No <input type="checkbox"/> 1.0 <input type="checkbox"/> 1.2 <input checked="" type="checkbox"/> 1.4 <input type="checkbox"/> 1.6 <input type="checkbox"/> 1.8 <input type="checkbox"/>
Link Washers	3.0 mm
Link Washers	NIA mm
Rear Hub Carrier	Alloy <input type="checkbox"/> Std <input checked="" type="checkbox"/> Alloy Hub Carrier +1° <input type="checkbox"/> -1° <input type="checkbox"/>
Rear Wishbones	Kit <input checked="" type="checkbox"/> Reversed <input type="checkbox"/> Med Flex <input type="checkbox"/>
Alloy	Yes <input type="checkbox"/> No <input checked="" type="checkbox"/>
Rear Ride Height	20 mm
Rear Camber at Ride Height	-1.5 Deg
Rear Toe In (Flats IN 2.5°)	(Flats OUT 3.0°) <input checked="" type="checkbox"/>
	<input type="checkbox"/> 33.5 (1 Dink) <input checked="" type="checkbox"/> 38.0 (2 Dink) <input type="checkbox"/> 42.5 (3 Dink)

