

Driver & Event	
Name	MICHAL ORLOWSKI
Date	2016 Event EUROS
Weather	HOT
Result	3RD

Electrics & Chassis	
E.S.C	LRP
Servo	SANWA
Receiver	SANWA
Lipo	LRP
Front Top Deck	Yes <input type="checkbox"/> No <input checked="" type="checkbox"/>
Shorty LiPo	Front <input type="checkbox"/> Middle <input type="checkbox"/> Rear <input checked="" type="checkbox"/>
Chassis	Alloy <input type="checkbox"/> Carbon <input checked="" type="checkbox"/>

Motor & Gearing	
Motor	LRP
Rotor Diameter	STD mm
Timing	STD Deg
Spur	83
Pinion	22


Track Conditions	
Grip Level	High <input type="checkbox"/> Med <input type="checkbox"/> Low <input checked="" type="checkbox"/>
Type	Tight <input type="checkbox"/> Open <input checked="" type="checkbox"/> Mixed <input type="checkbox"/>
Surface	Clay <input checked="" type="checkbox"/> Astro <input type="checkbox"/> Grass <input type="checkbox"/> Mixed <input type="checkbox"/> Carpet <input type="checkbox"/>
Condition	Smooth <input type="checkbox"/> Bumpy <input checked="" type="checkbox"/>

Wheels & Tyres	
Rr Tyre	PL HOLESHOT
Rr Wheel	STD
Rr Insert	STD
Fr Tyre	PL RIB
Fr Wheel	STD
Fr Insert	STD


Other settings	
Car Weight	1505 g
Wing Gurney Height Front	mm
Wing Gurney Height Rear	5.0 mm
Front Wing	<input type="checkbox"/> small <input type="checkbox"/> big <input type="checkbox"/>
Alloy Sidepods	<input type="checkbox"/>
Front Brass Weight	<input type="checkbox"/>
Multi Plate Slipper	<input type="checkbox"/>
Narrow Rear Wheel Hex	<input checked="" type="checkbox"/>

Diff Type	
Ball <input checked="" type="checkbox"/> Gear <input type="checkbox"/>	Diff Oil cSt

Front Shocks	
Oil	300 cSt
Spring	RED 3.1 lb/in
Shock Cap	Sealed <input type="checkbox"/> Vented <input type="checkbox"/> Aeration <input checked="" type="checkbox"/>
Piston	KIT 2.HOLE Drilled <input type="checkbox"/> Hole Size.....1.6.....mm
Internal Limiters0.....mm
Small Bore Shocks	<input type="checkbox"/>
Shock Length22.0.....mm

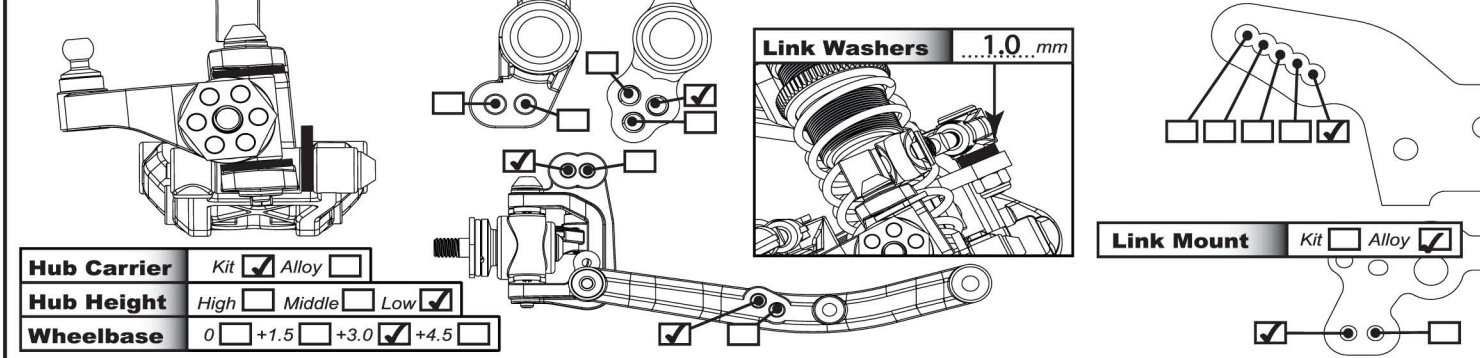


Rear Shocks	
Oil	300 cSt
Spring	BLUE 2.4 lb/in
Shock Cap	Sealed <input type="checkbox"/> Vented <input type="checkbox"/> Aeration <input checked="" type="checkbox"/>
Piston	KIT 2.HOLE Drilled <input type="checkbox"/> Hole Size.....1.7.....mm
Internal Limiters2.0.....mm
Small Bore Shocks	<input type="checkbox"/>
Shock Length25.3.....mm



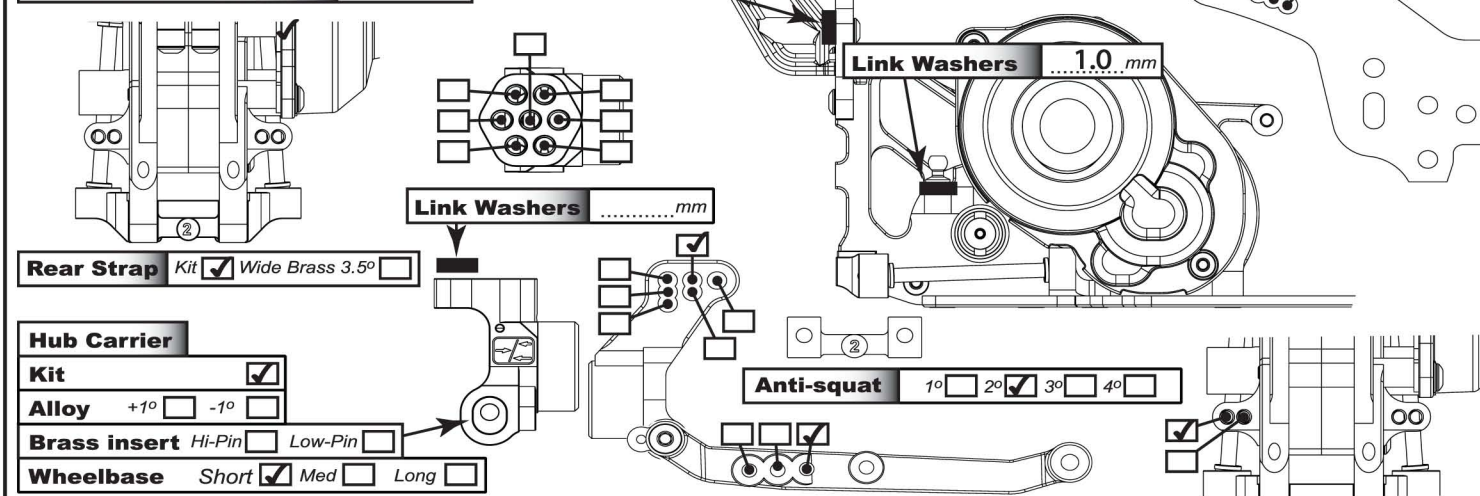
Front Suspension

Toe	0 Deg
Yoke	0° <input type="checkbox"/> 5° <input checked="" type="checkbox"/> Alloy <input type="checkbox"/>
Anti Roll Bar	No <input checked="" type="checkbox"/> 0.9 <input type="checkbox"/> 1.1 <input type="checkbox"/> 1.2 <input type="checkbox"/> 1.3 <input type="checkbox"/>
C.T.R	Kit <input type="checkbox"/> Alloy <input checked="" type="checkbox"/>
Ride Height20.0.....mm
Camber at Ride Height-1.0.....Deg
Link Washers1.0.....mm
Link Mount	Kit <input type="checkbox"/> Alloy <input checked="" type="checkbox"/>
Hub Carrier	Kit <input checked="" type="checkbox"/> Alloy <input type="checkbox"/>
Hub Height	High <input type="checkbox"/> Middle <input type="checkbox"/> Low <input checked="" type="checkbox"/>
Wheelbase	0 <input type="checkbox"/> +1.5 <input type="checkbox"/> +3.0 <input checked="" type="checkbox"/> +4.5 <input type="checkbox"/>



Rear Suspension

Ride Height20.0.....mm
Camber at Ride Height-1.0.....Deg
Anti Roll Bar	No <input checked="" type="checkbox"/> 1.2 <input type="checkbox"/> 1.4 <input type="checkbox"/> 1.6 <input type="checkbox"/>
Wing Washer	No <input type="checkbox"/> Yes <input checked="" type="checkbox"/>
Link Washers1.0.....mm
Anti-squat	1° <input type="checkbox"/> 2° <input checked="" type="checkbox"/> 3° <input type="checkbox"/> 4° <input type="checkbox"/>
Rear Strap	Kit <input checked="" type="checkbox"/> Wide Brass 3.5° <input type="checkbox"/>
Hub Carrier	Kit <input checked="" type="checkbox"/>
Alloy	+1° <input type="checkbox"/> -1° <input type="checkbox"/>
Brass insert	Hi-Pin <input type="checkbox"/> Low-Pin <input type="checkbox"/>
Wheelbase	Short <input checked="" type="checkbox"/> Med <input type="checkbox"/> Long <input type="checkbox"/>



Notes

