



CAT XLS

MASAMI

Instruction Manual



71-73 Tenter Road
Moulton Park
Northampton
NN3 6AX
U.K.

ADDITIONAL ITEMS REQUIRED (See Spares Listings in the Manual)

Radio Transmitter and Receiver
(Batteries not included)



Servo



Electronic Speed Controller



Pinion



2S Shorty LiPo Battery
or
Traditional Stick Pack Battery NiMH or LiPo



IMPORTANT MOTOR LIMITATIONS
17.5 BRUSHLESS FOR STANDARD CAR
6.5 BRUSHLESS FOR PRO TRANSMISSION UPGRADE



Battery Charger



Polycarbonate Paint



Super Glue and Threadlock



Soldering Iron



Body Reamer



Serrated Pliers



Steel Spanner - 5.50mm
Steel Spanner - 4.00mm
Steel Spanner - 1/4"

Turnbuckle Wrench 4mm



Circclip Pliers



Curved Body Scissors



Phillips Screwdriver 4.0x120mm



M3 Nut Driver



Hex Driver - 1.5mm
Hex Driver - 2.0mm
Hex Driver - 2.5mm



SEE PAGES 29 & 30 FOR COMPLETE TOOLS LISTINGS

CATXLS
MASAMI

Schumacher Racing stocks and distributes the following manufacturers products and full product listings are available on our website at www.racing-cars.com

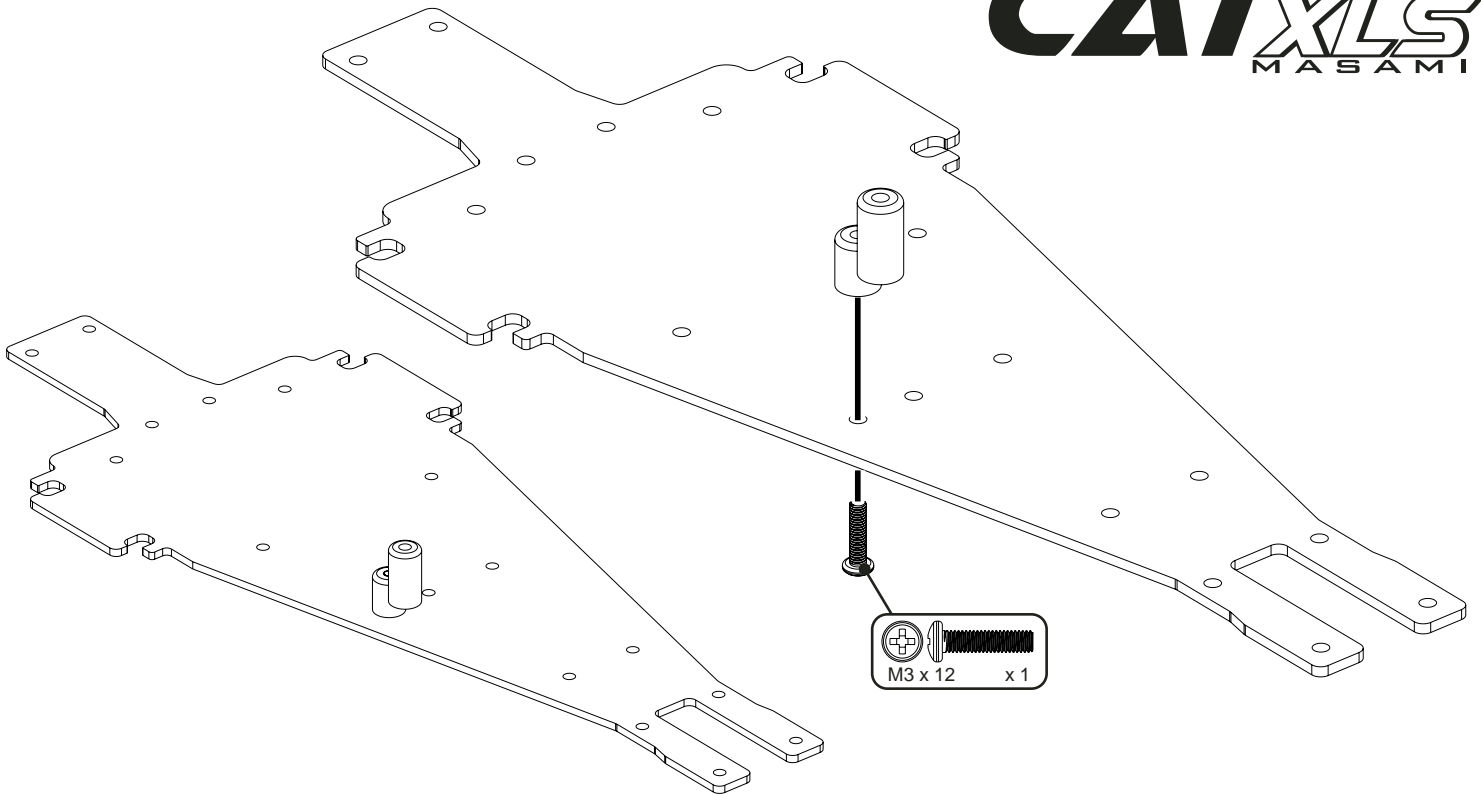
PLEASE NOTE THAT SOME OF THE PRODUCT RANGES BELOW ARE ONLY AVAILABLE IN THE UNITED KINGDOM.



IMPORTANT SAFETY NOTES

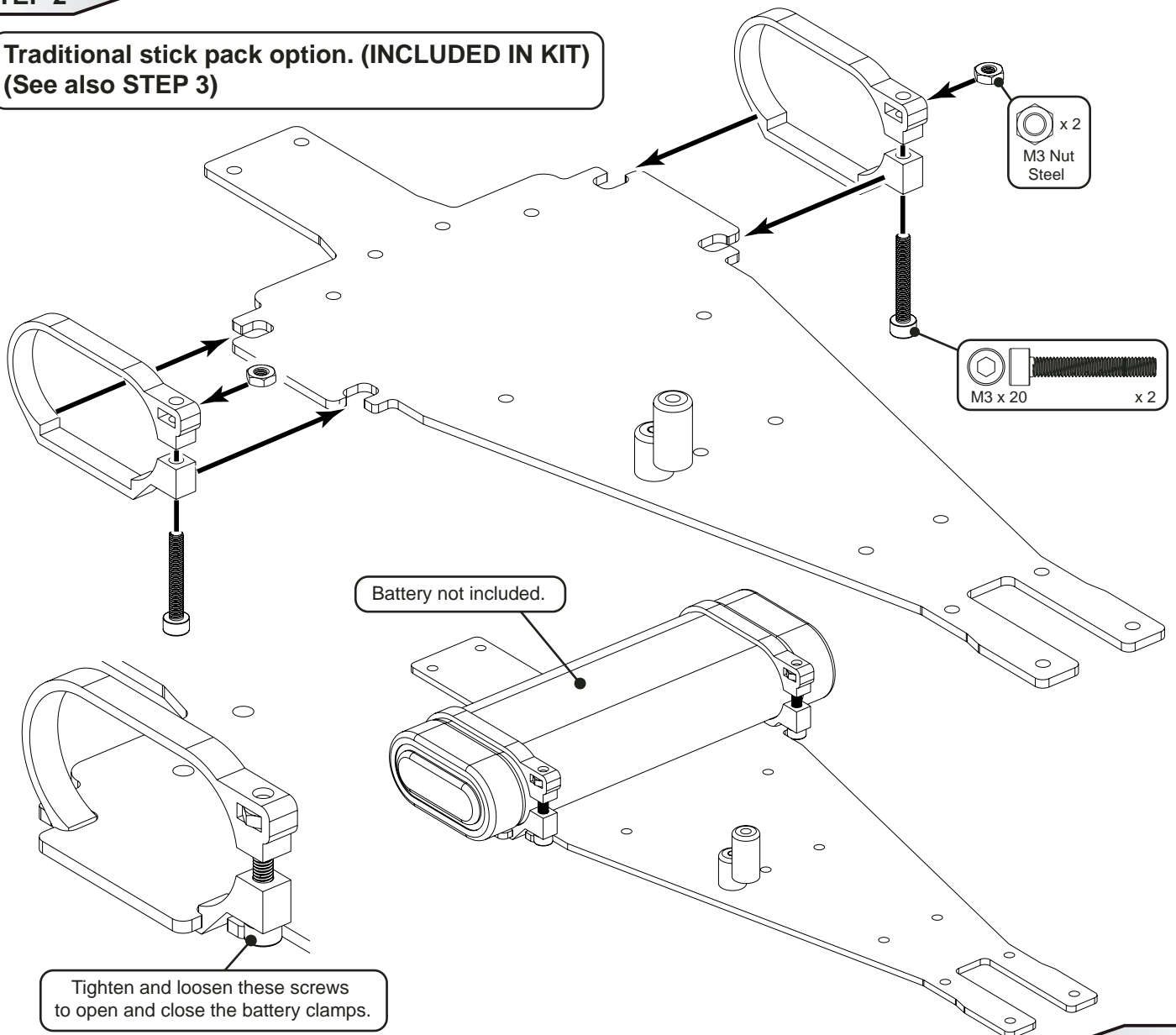
- This product is not suitable for children under the age of 14, without the direct supervision of a responsible adult.
- Select an area for assembly that is away from the reach of small children.
- The parts in this kit are small and can be swallowed by children causing choking and possible internal injuries.
- Exercise care when using hand tools and sharp instruments during assembly.
- Carefully read all manufacturers warnings and cautions for any additional items used in the construction.
- In line with our policy of continuous development the exact details of the kit may vary.
- DO NOT use this car on public roads or in places where it can interfere with traffic, people or animals.
- Always check the operation of the radio with the wheels off the ground, before using the car.
- Make sure the radio and car batteries are fully charged before use.
- Disconnect and remove the battery from the car when not in use.
- Always store and charge LiPo batteries in a fireproof container.
- DO NOT put fingers or any objects inside rotating or moving parts as this may cause injury.
- Make sure the charger is correctly set for the type of battery you are using. Incorrect charging may cause a fire.
- Insulate all exposed electrical wiring. Exposed or damaged wires can cause short circuits and fire.
- The motor and speed controller can become hot during use. DO NOT touch them immediately after using your car as this may cause injury.

STEP 1

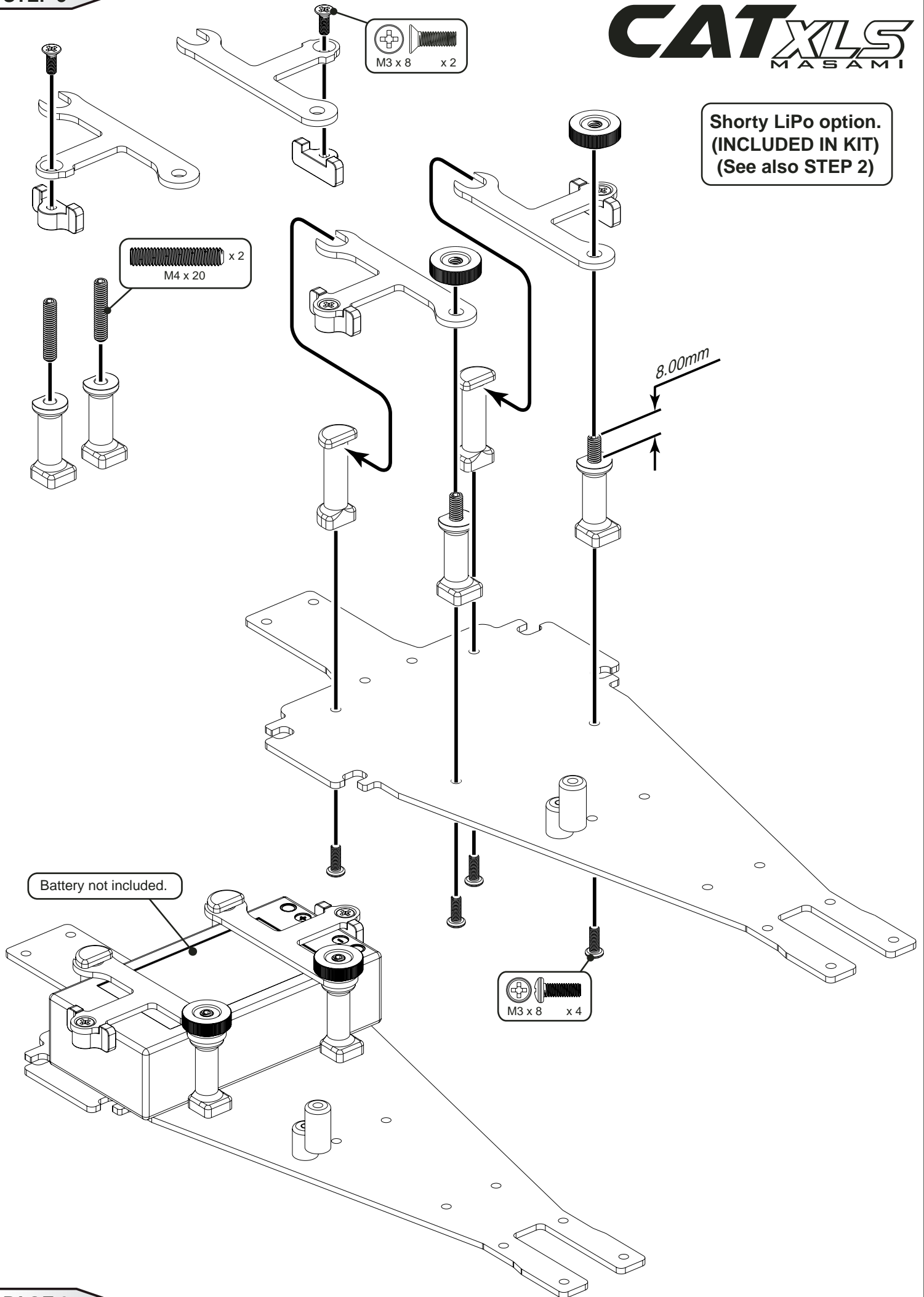


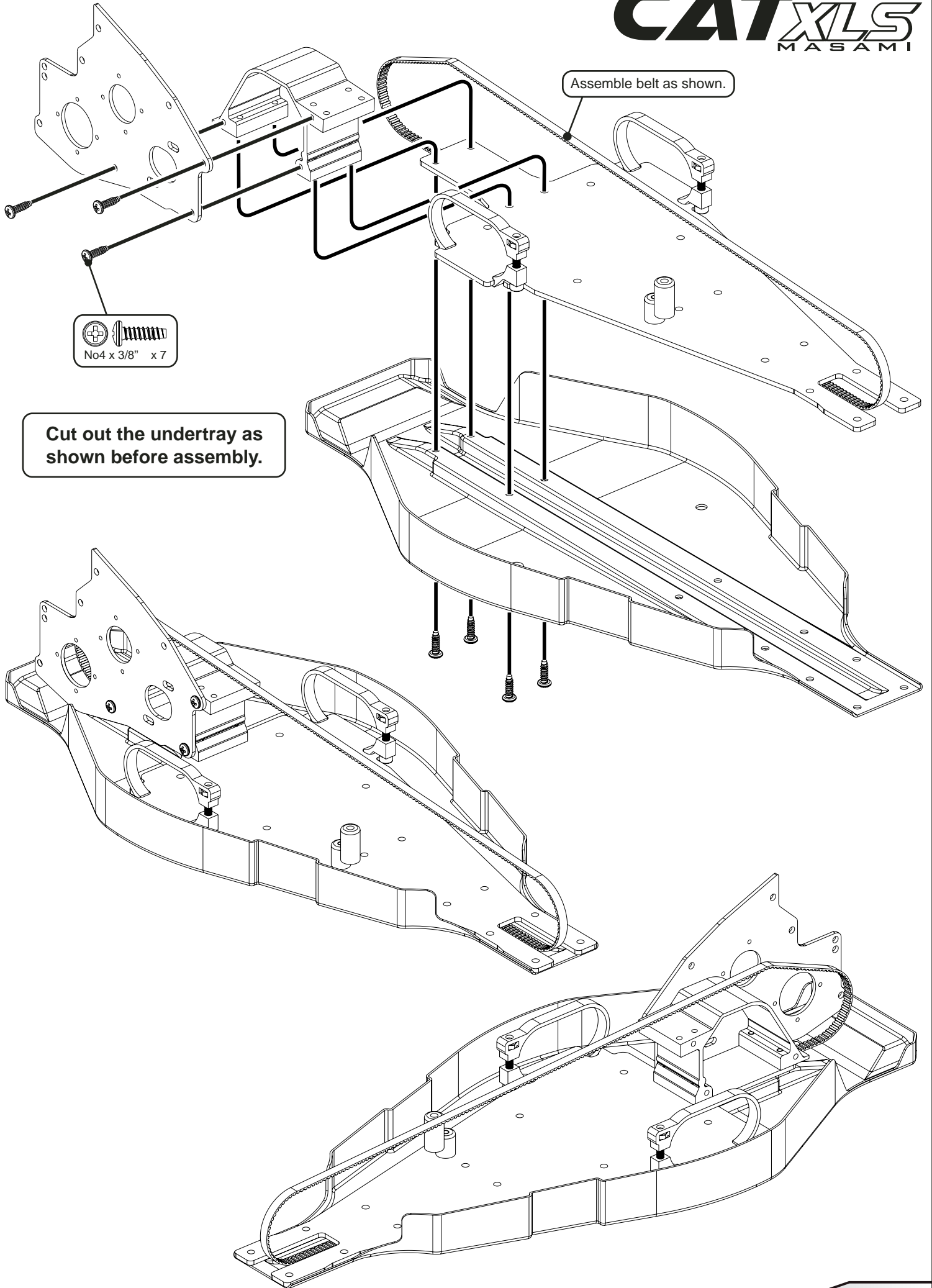
STEP 2

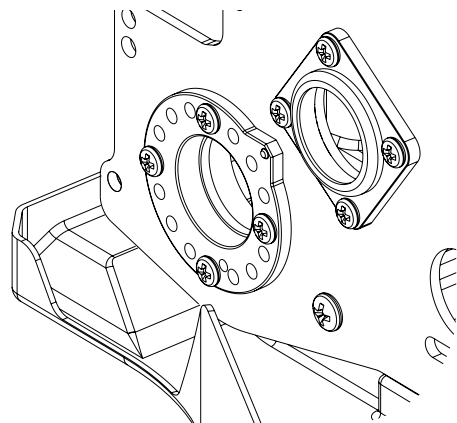
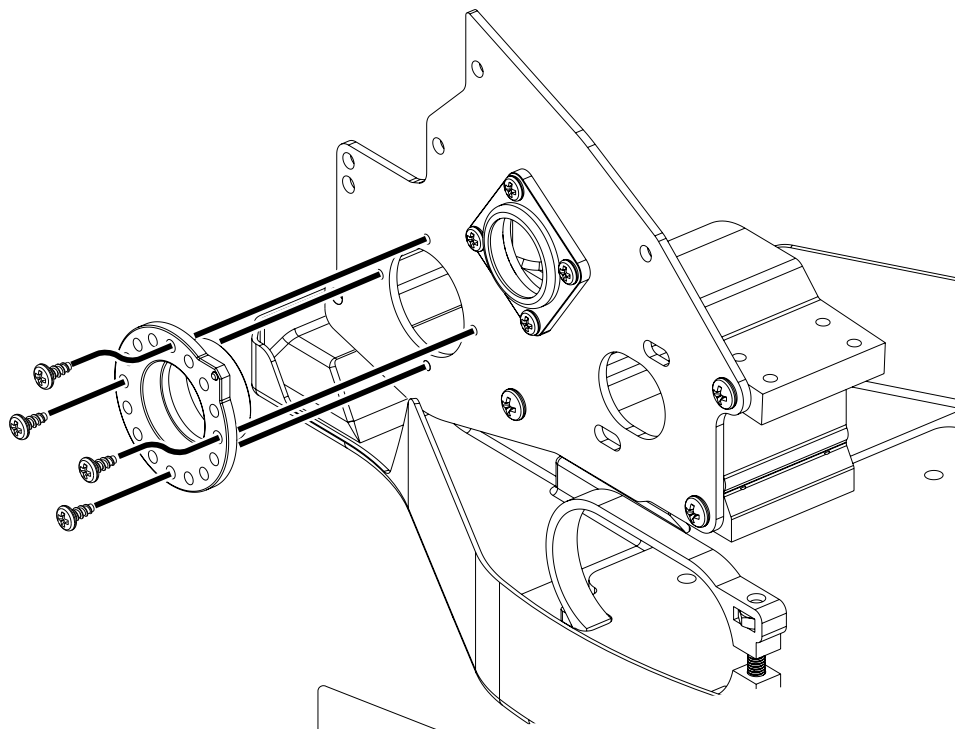
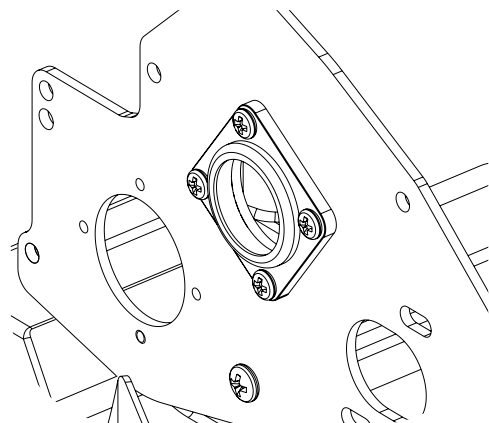
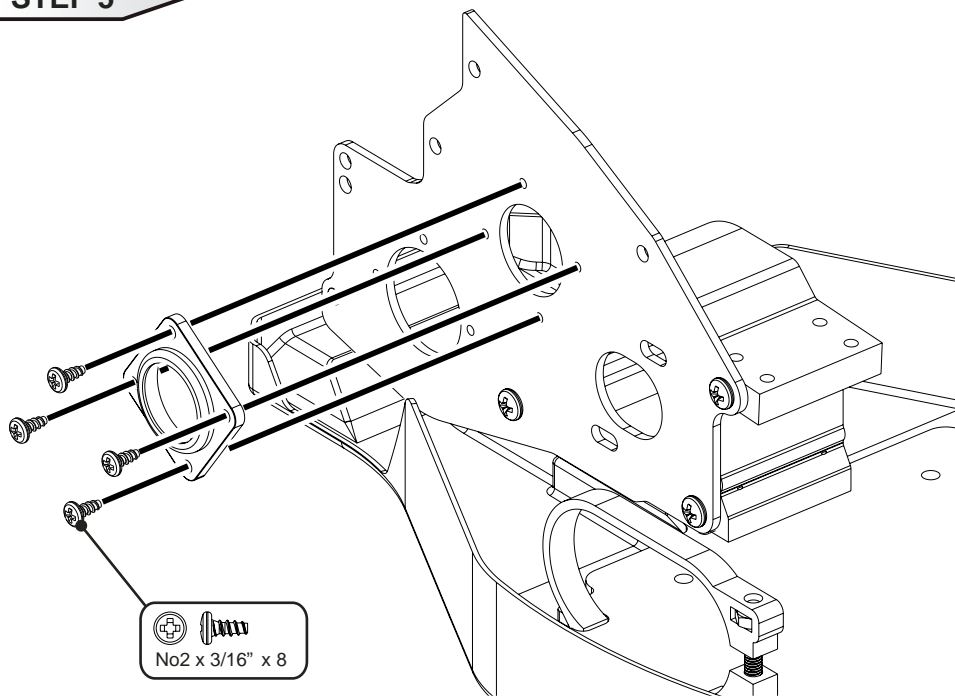
Traditional stick pack option. (INCLUDED IN KIT)
(See also STEP 3)



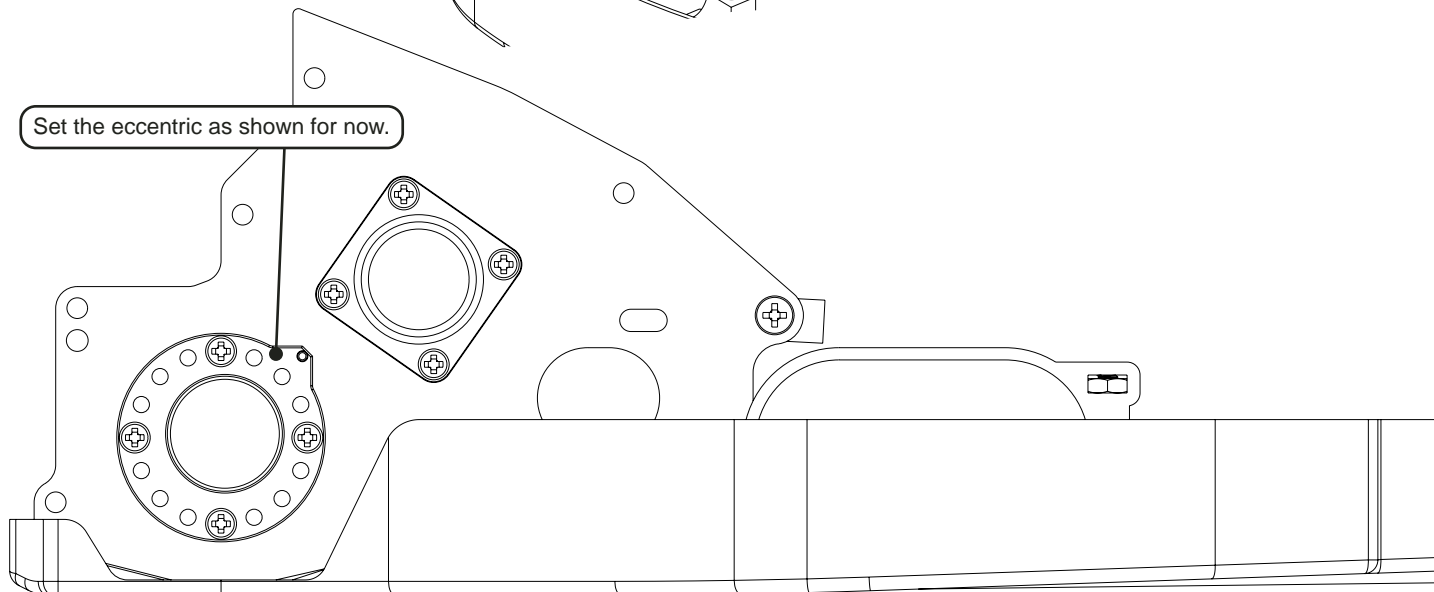
Shorty LiPo option.
(INCLUDED IN KIT)
(See also STEP 2)



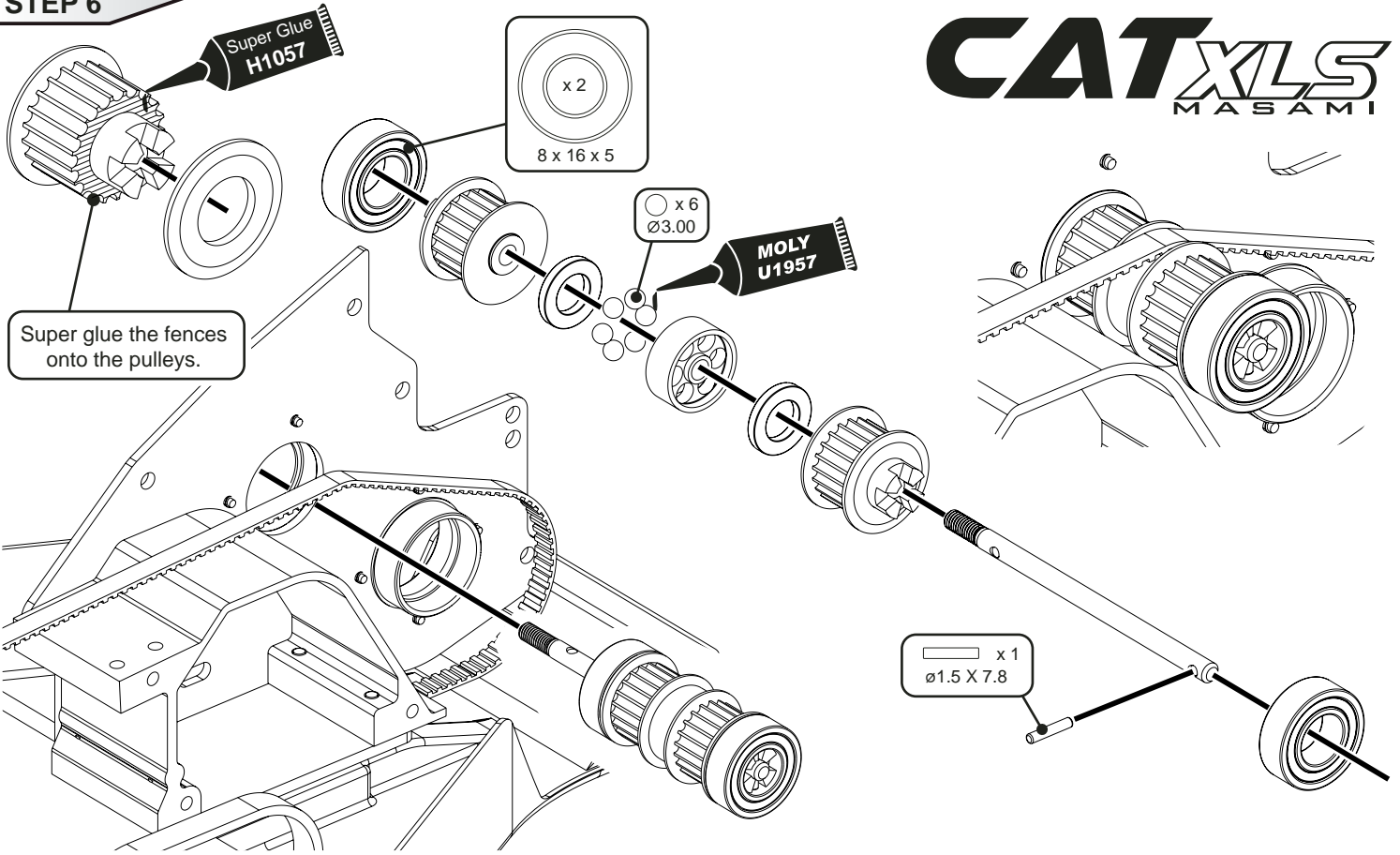




Set the eccentric as shown for now.

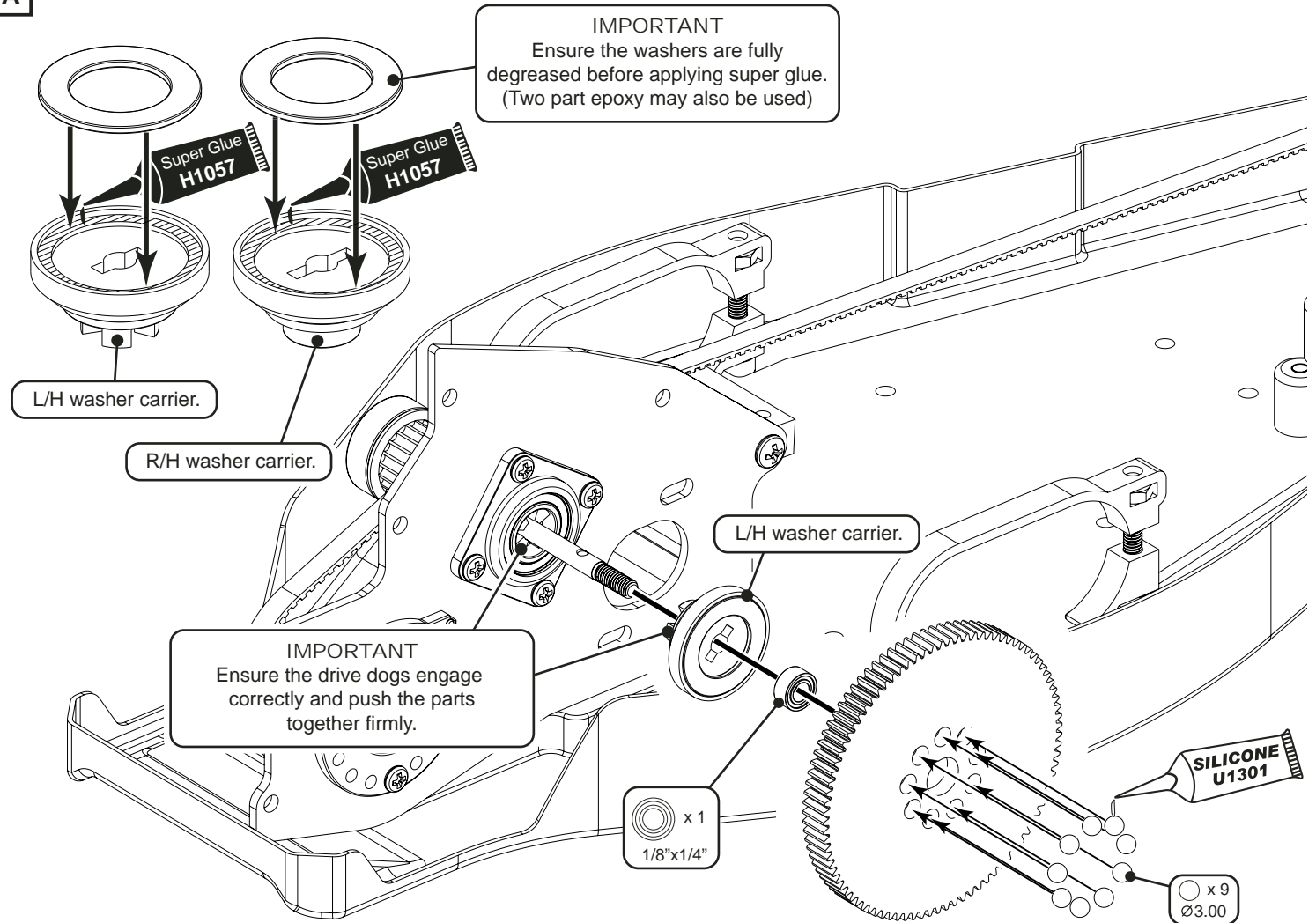


STEP 6



STEP 7

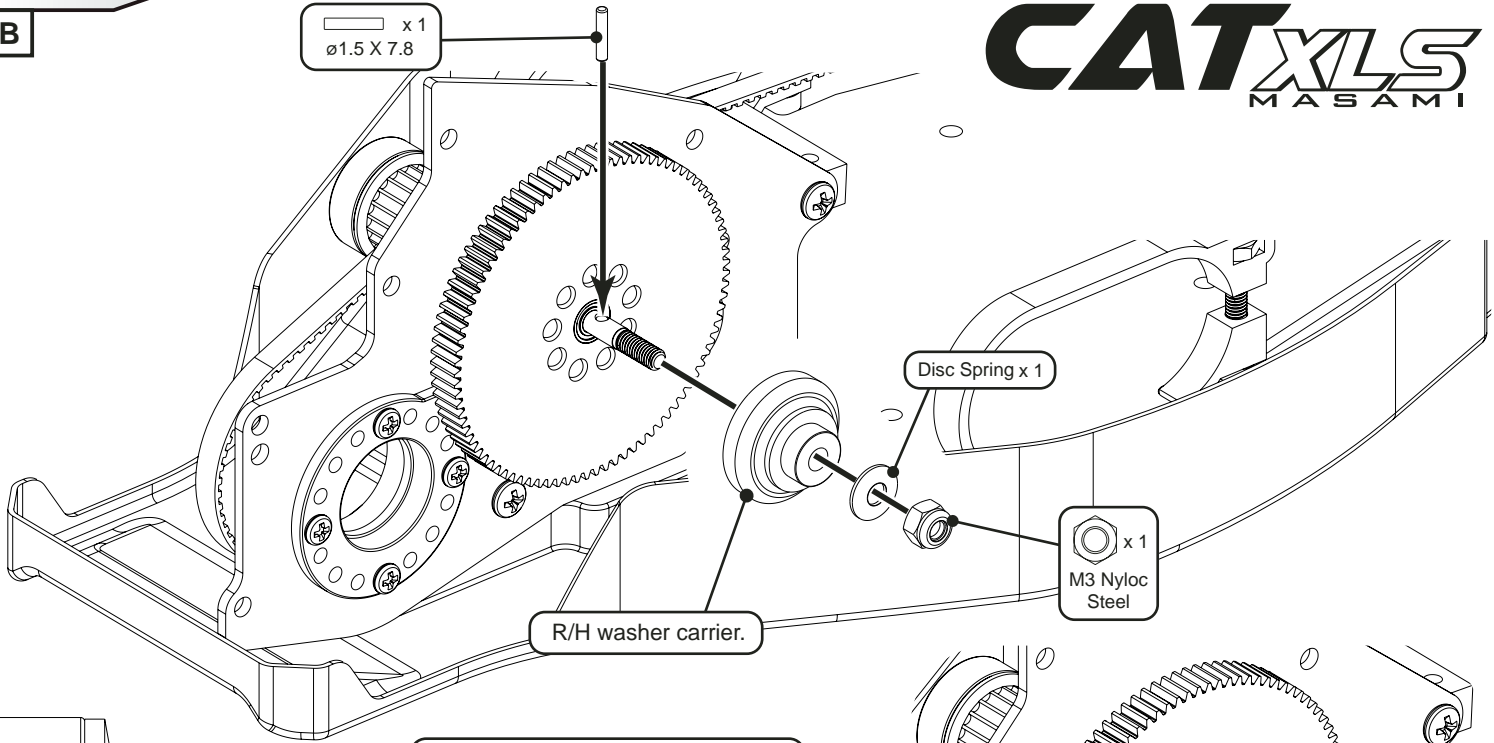
A



STEP 7

B

x 1
ø1.5 X 7.8



Disc Spring x 1

x 1
M3 Nyloc Steel

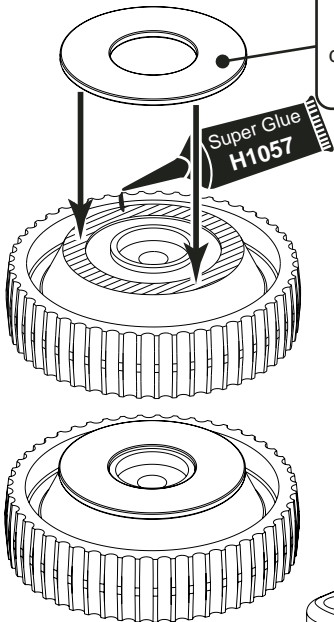
R/H washer carrier.

IMPORTANT
Tighten nut to flatten the disk spring then undo 1/4 turn.

IMPORTANT
Ensure the disk spring is assembled as shown.

STEP 8

IMPORTANT
Ensure the washer is fully degreased before applying super glue.
(Two part epoxy may also be used)



x 1
M3 Nyloc Steel

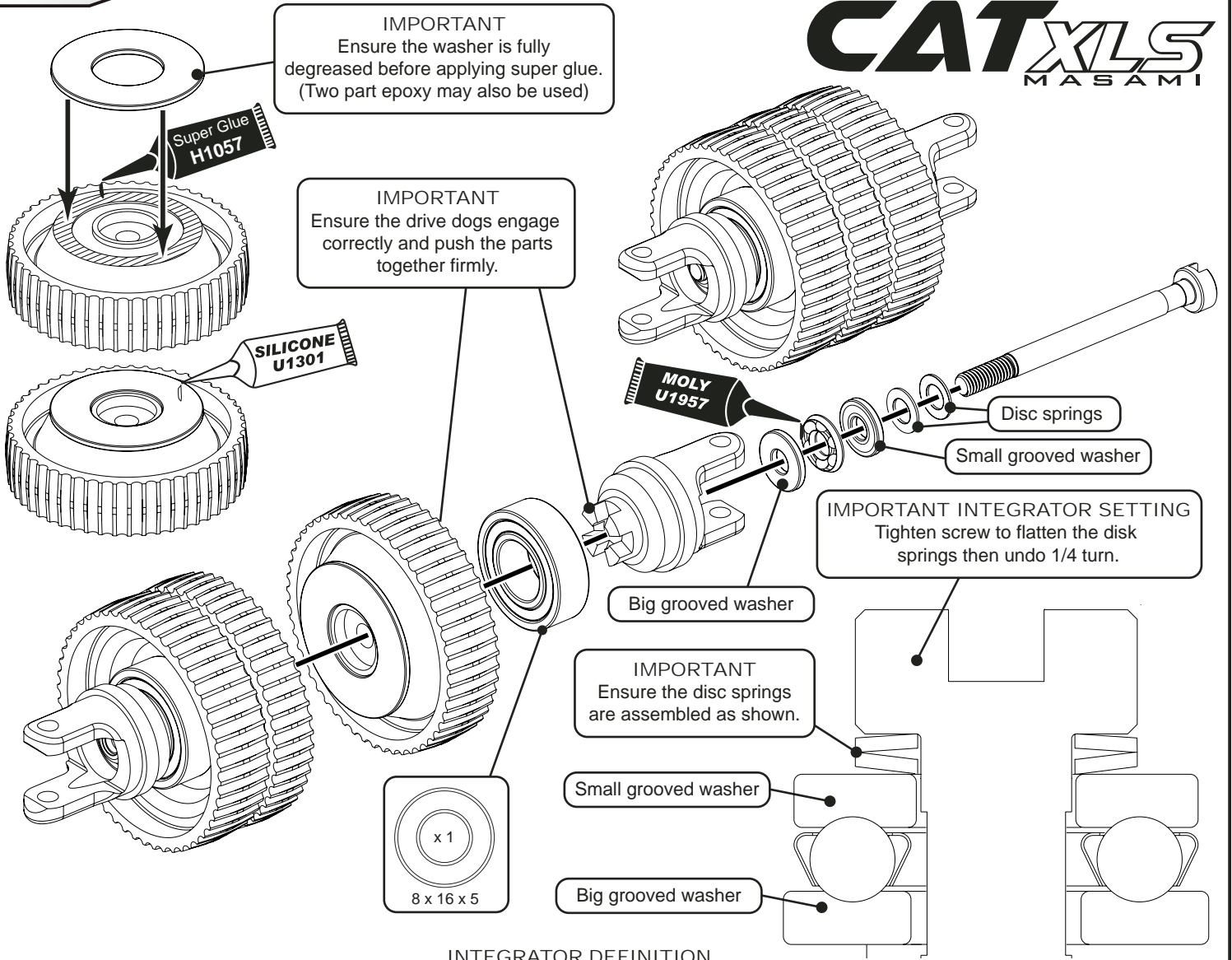
x 1
8 x 16 x 5

SILICONE U1301

x 8
ø3.00

IMPORTANT
Ensure the drive dogs engage correctly and push the parts together firmly.

STEP 9

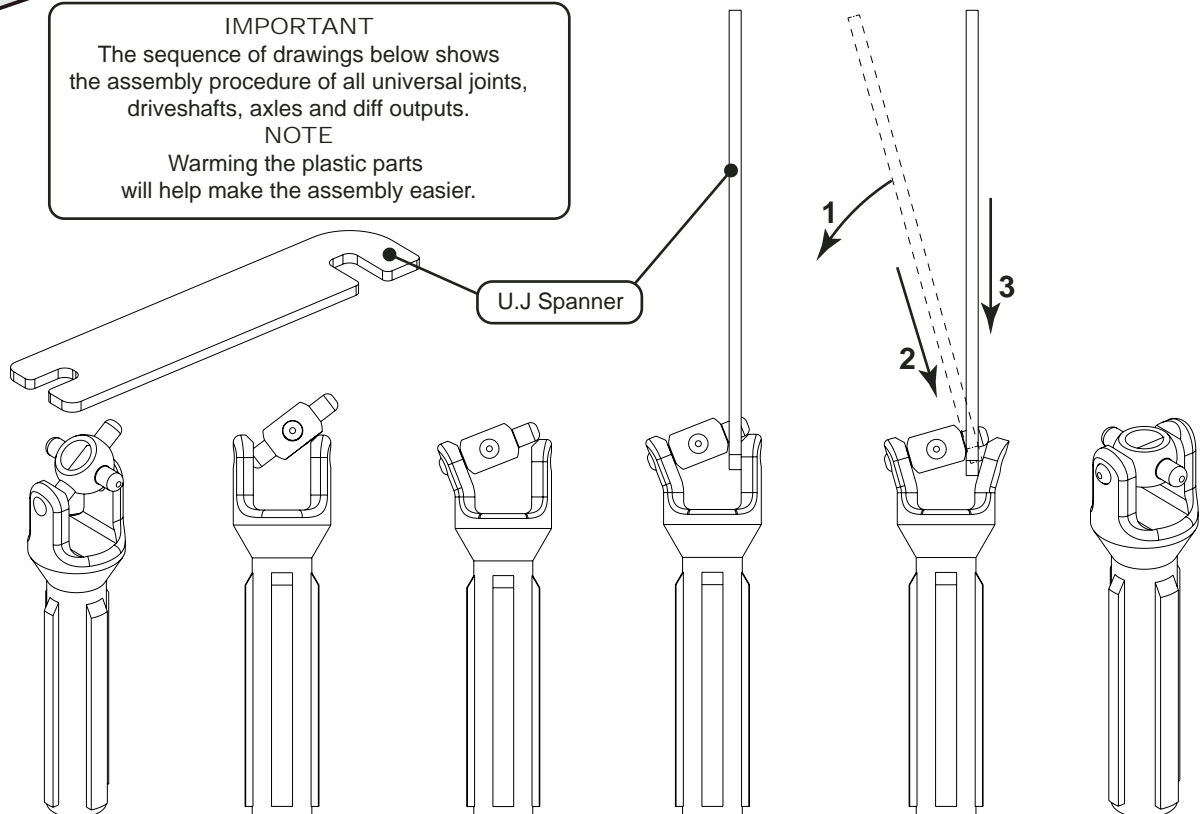


INTEGRATOR DEFINITION.

The Integrator combines the two outputs from the spur gear differential into a single drive to the front belt and drive to the rear wheels.

STEP 10

A

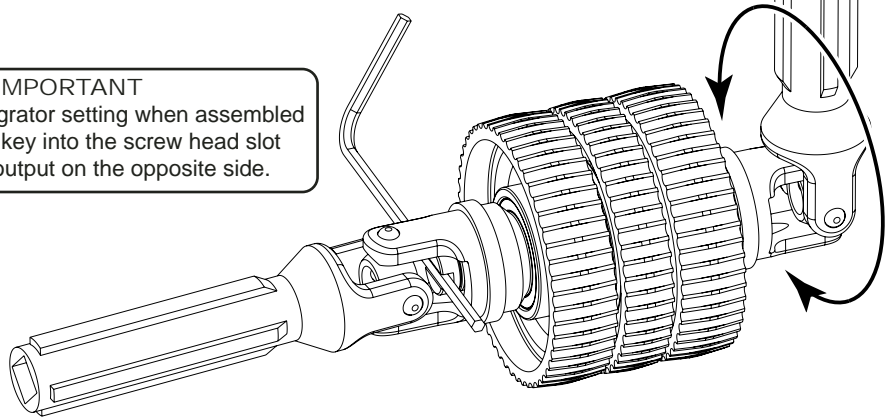
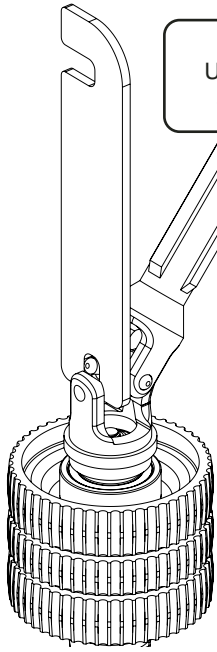


STEP 10

B

IMPORTANT
Use the same assembly procedure
as shown on page 8 STEP 10 A.

IMPORTANT
To adjust the integrator setting when assembled
place an allen key into the screw head slot
and turn the output on the opposite side.

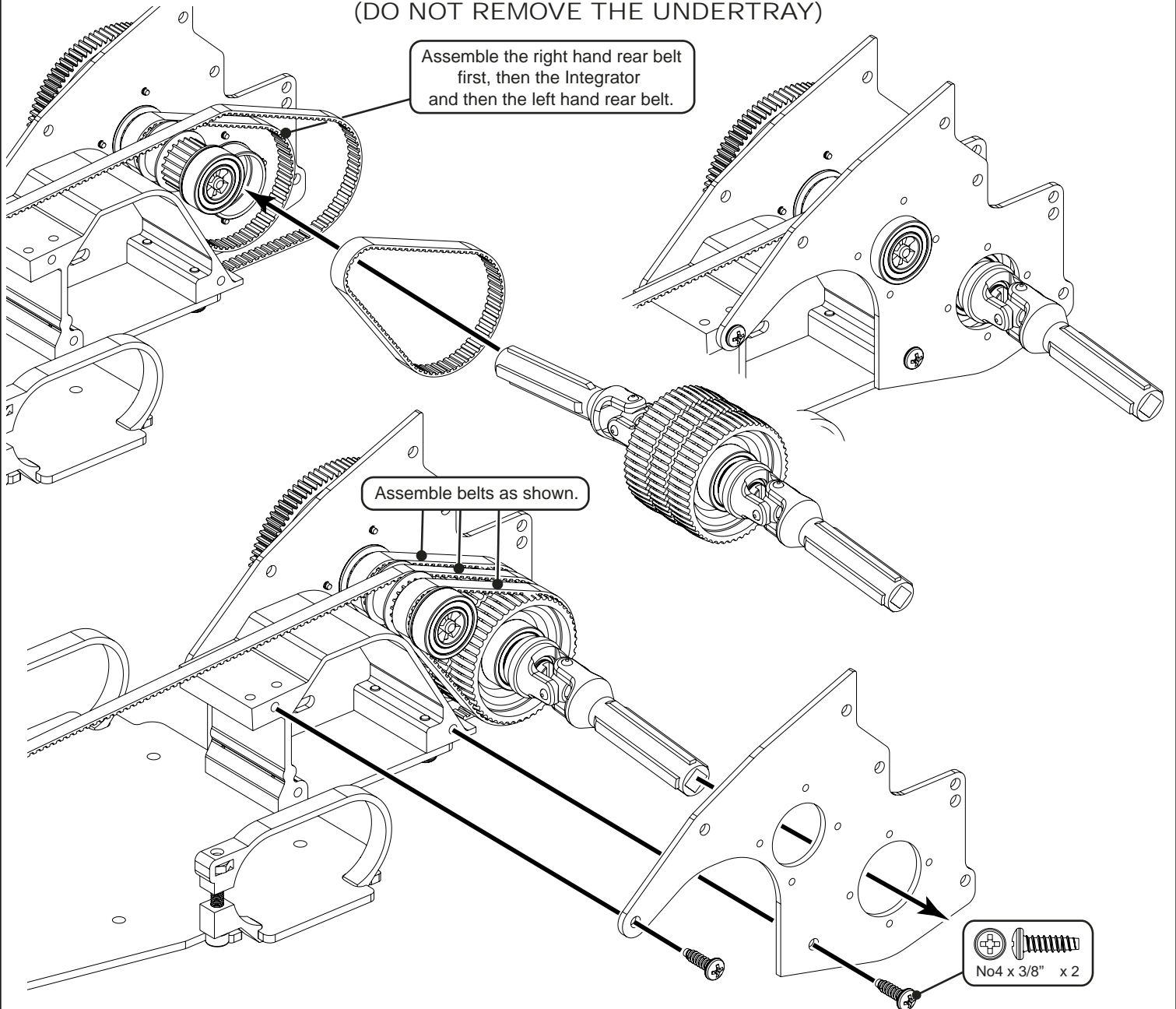


STEP 11

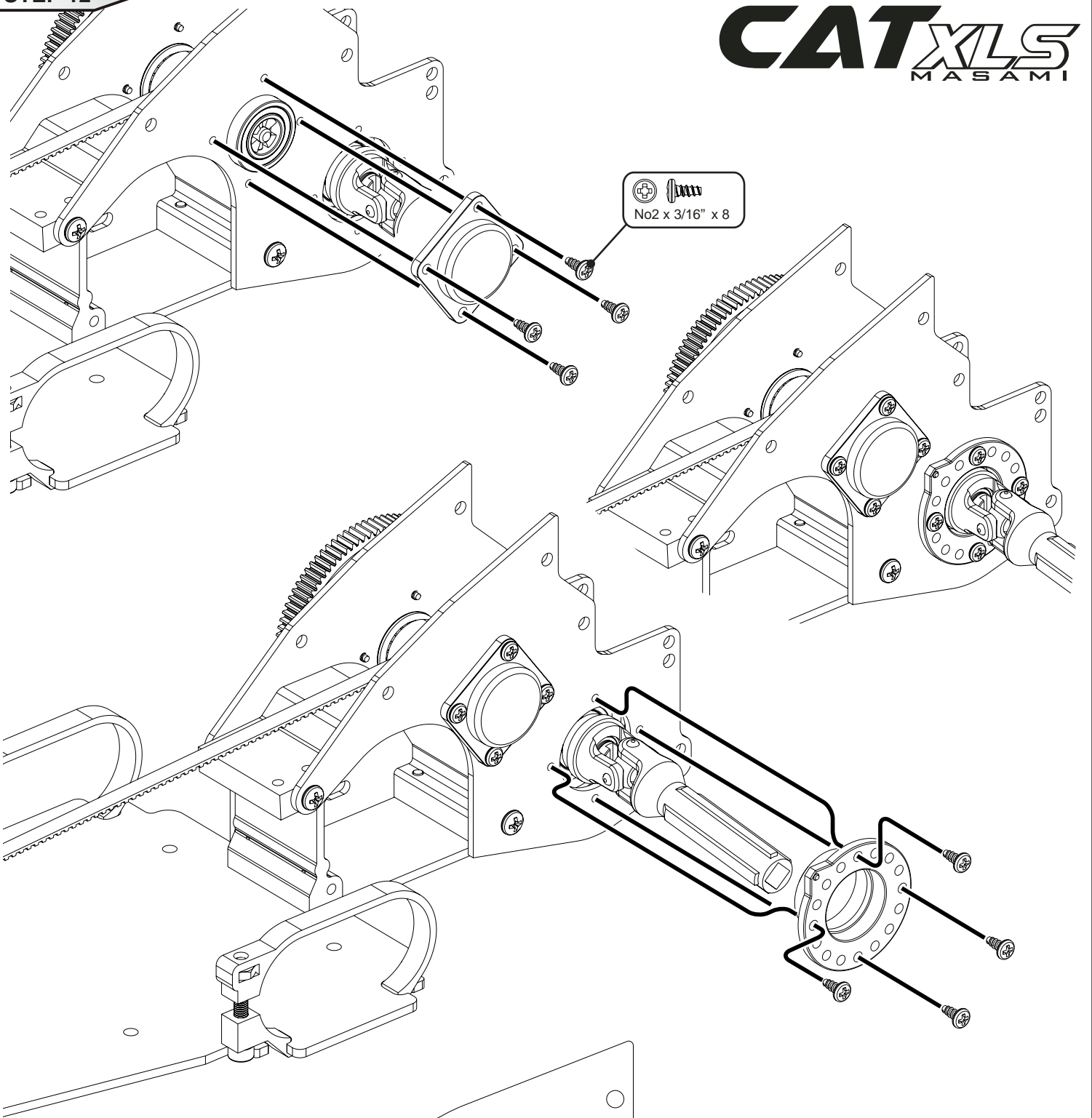
THE UNDERTRAY HAS BEEN HIDDEN FOR ILLUSTRATION PURPOSES ONLY.
(DO NOT REMOVE THE UNDERTRAY)

Assemble the right hand rear belt
first, then the Integrator
and then the left hand rear belt.

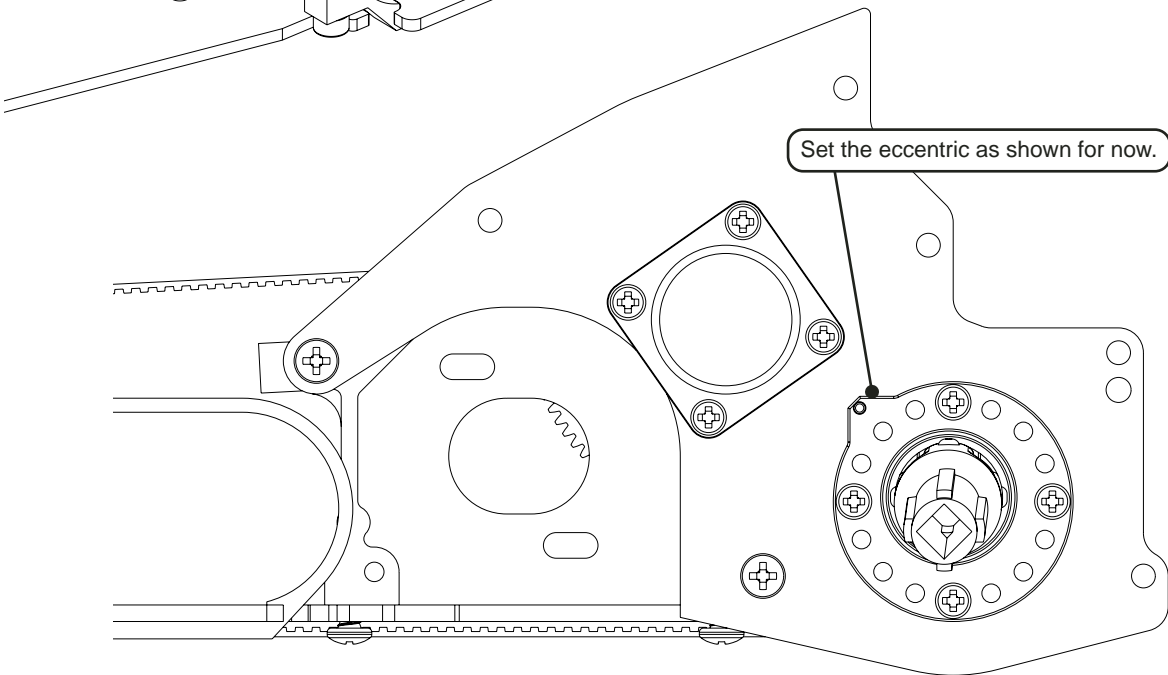
Assemble belts as shown.

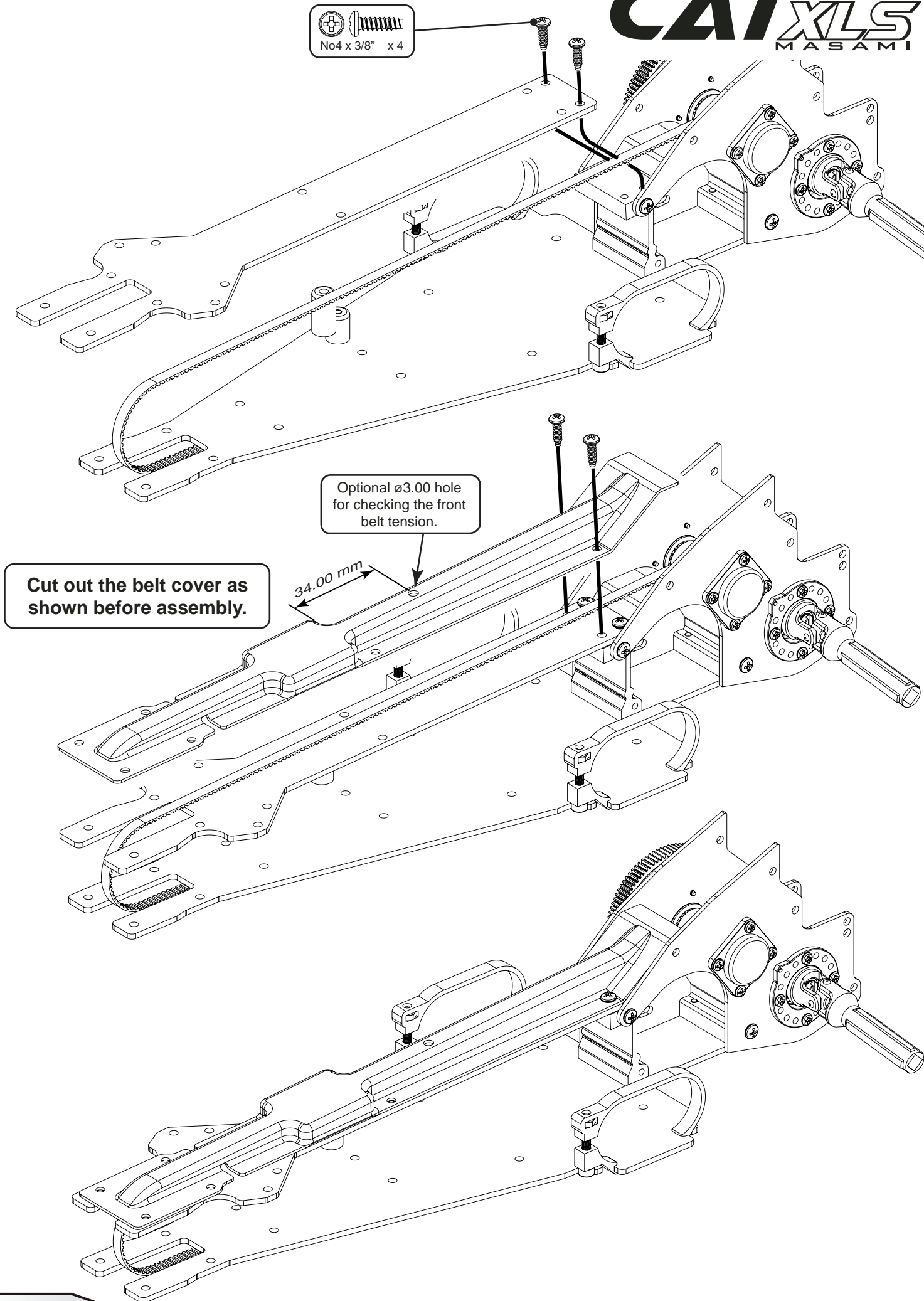
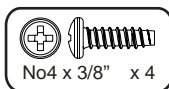


No4 x 3/8" x 2

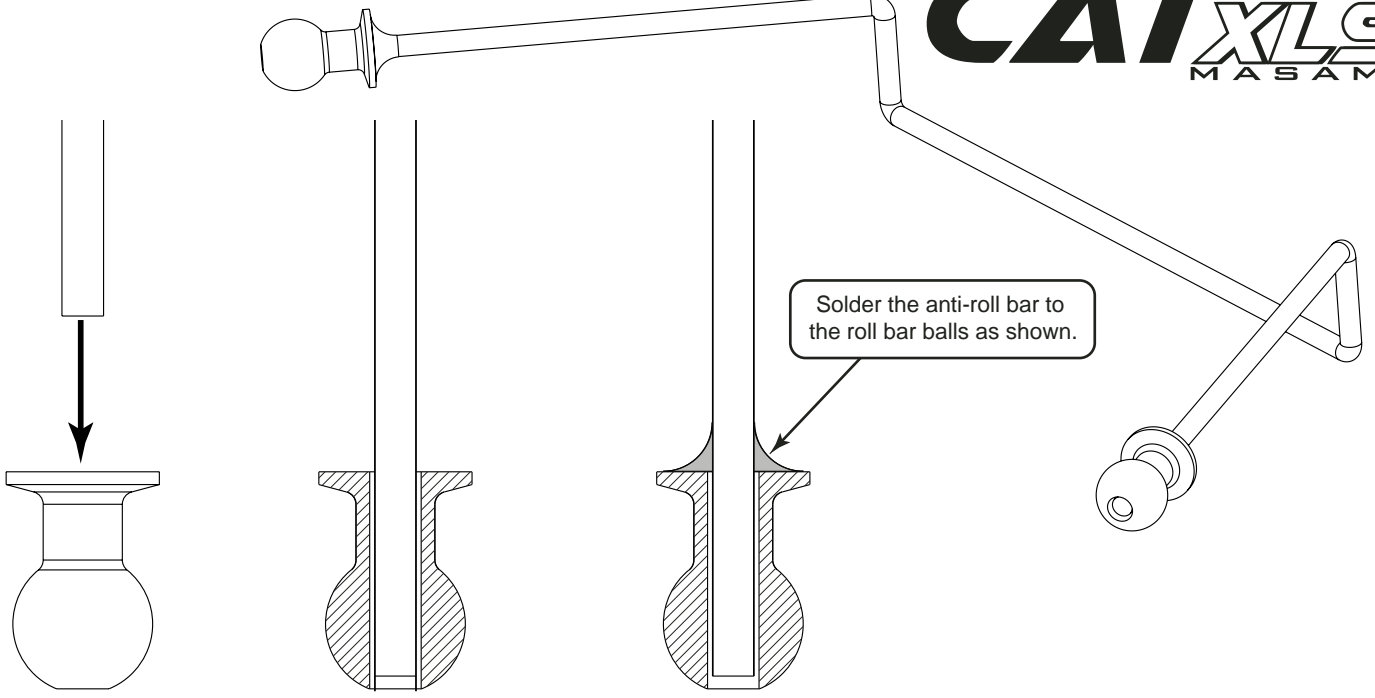


Set the eccentric as shown for now.



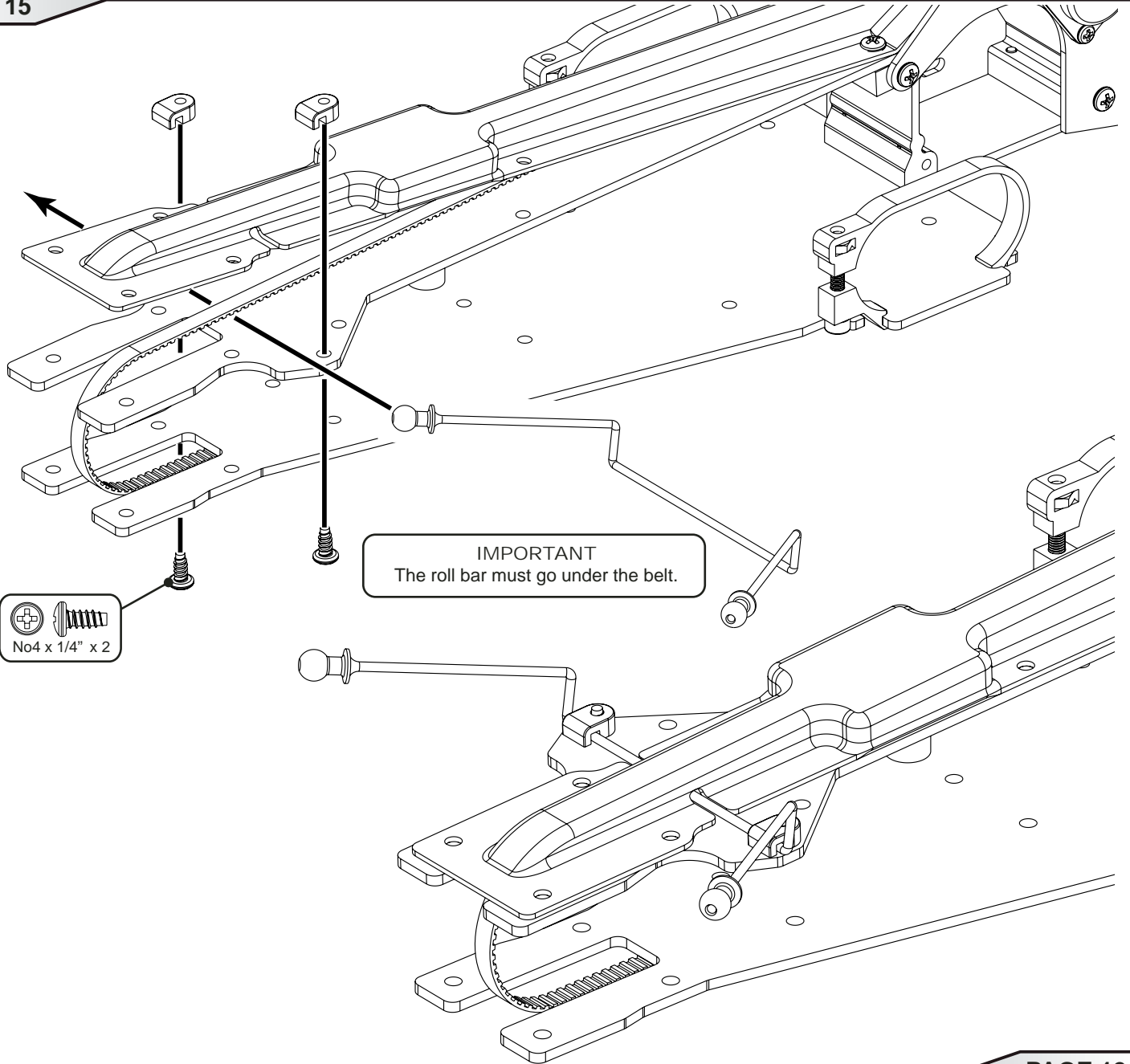


STEP 14



Solder the anti-roll bar to the roll bar balls as shown.

STEP 15

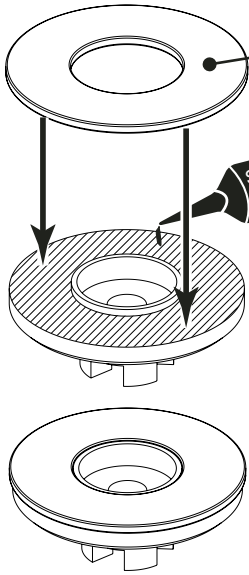


IMPORTANT
The roll bar must go under the belt.

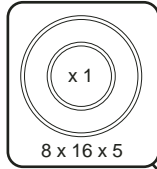
No4 x 1/4" x 2

STEP 16

IMPORTANT
Ensure the washer is fully degreased before applying super glue.
(Two part epoxy may also be used)



Super Glue
H1057



SILICONE
U1301



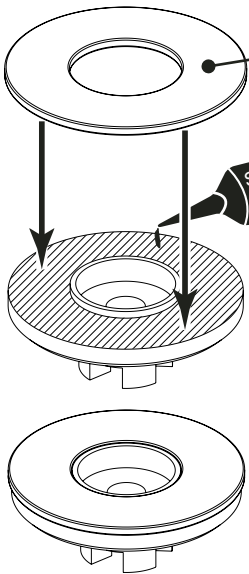
x 1
M3 Nyloc
Steel

IMPORTANT
Ensure the drive dogs engage correctly and push the parts together firmly.

x 8
Ø3.00

STEP 17

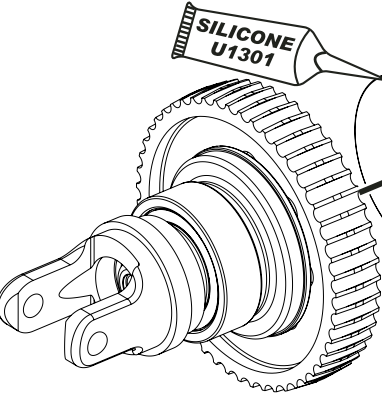
IMPORTANT
Ensure the washer is fully degreased before applying super glue.
(Two part epoxy may also be used)



Super Glue
H1057

IMPORTANT
Ensure the drive dogs engage correctly and push the parts together firmly.

SILICONE
U1301



MOLY
U1957

Disc springs

Small grooved washer

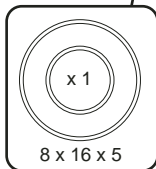
IMPORTANT FRONT DIFF SETTING
Tighten screw to flatten the disk springs then undo 1/4 turn.

Big grooved washer

IMPORTANT
Ensure the disc springs are assembled as shown.

Small grooved washer

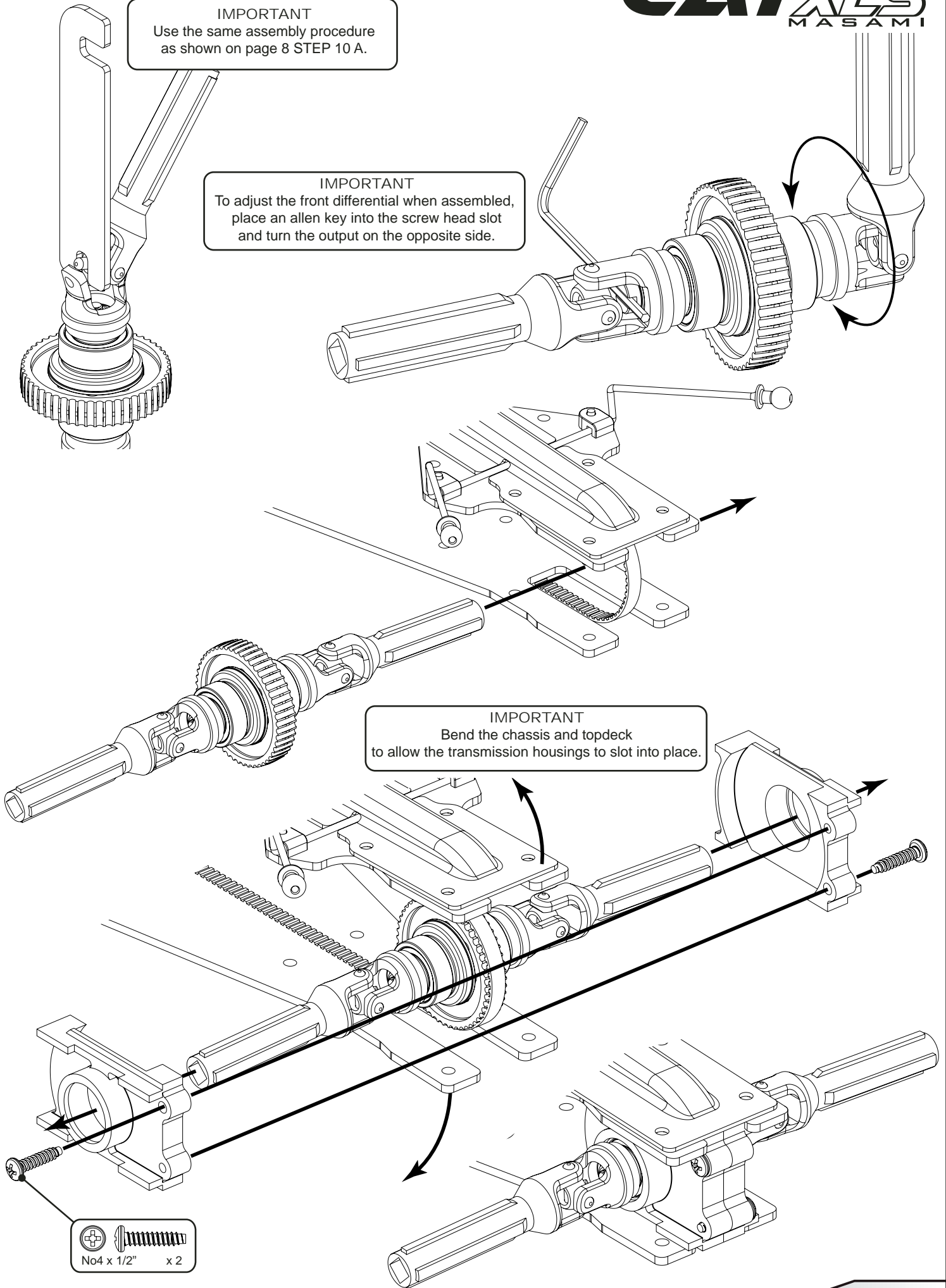
Big grooved washer


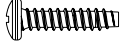


IMPORTANT
Use the same assembly procedure
as shown on page 8 STEP 10 A.

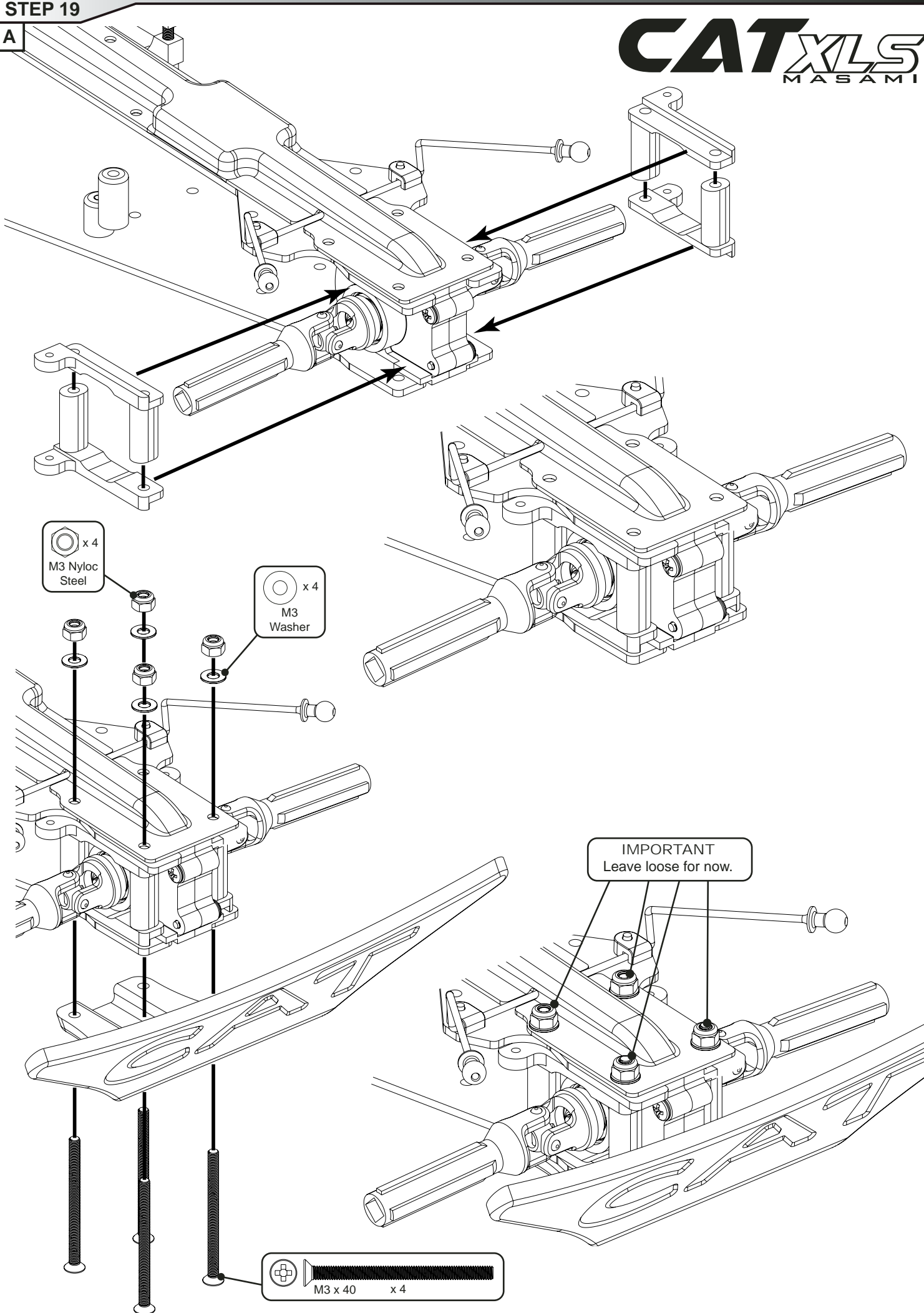
IMPORTANT
To adjust the front differential when assembled,
place an allen key into the screw head slot
and turn the output on the opposite side.

IMPORTANT
Bend the chassis and topdeck
to allow the transmission housings to slot into place.



 
No4 x 1/2" x 2

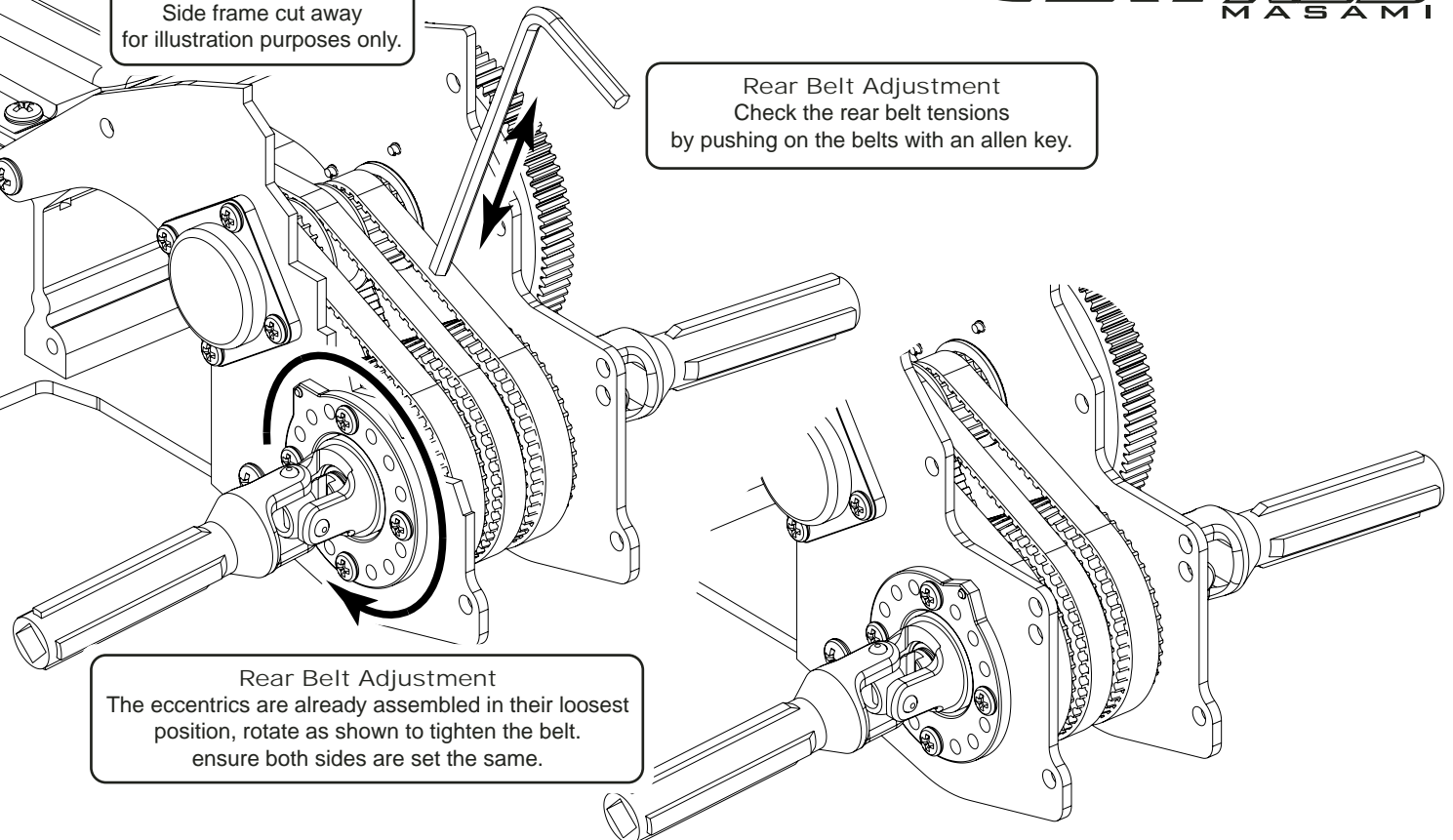
A



B

NOTE
Side frame cut away
for illustration purposes only.

Rear Belt Adjustment
Check the rear belt tensions
by pushing on the belts with an allen key.

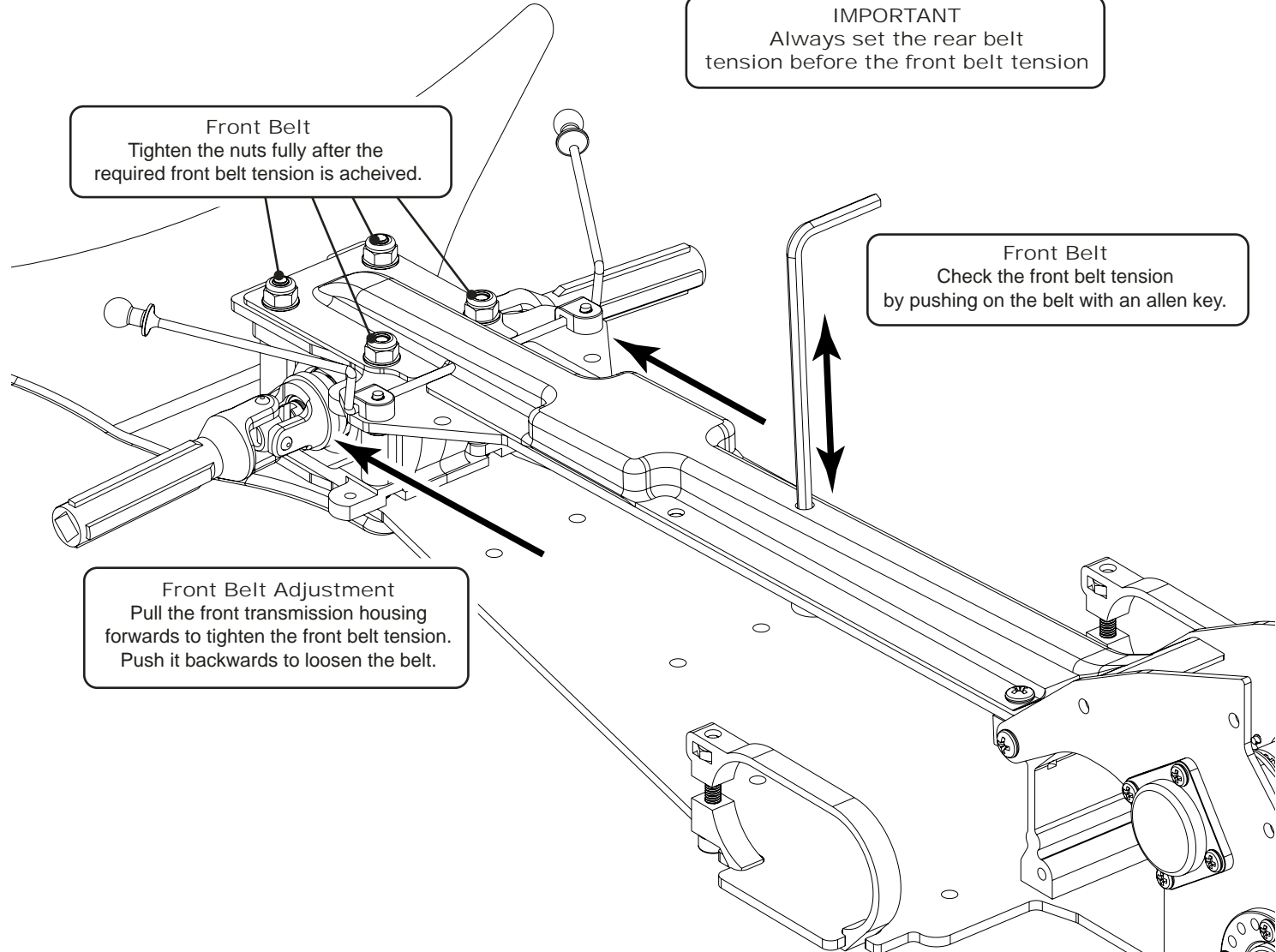


Rear Belt Adjustment
The eccentrics are already assembled in their loosest
position, rotate as shown to tighten the belt.
ensure both sides are set the same.

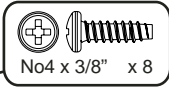
IMPORTANT
Always set the rear belt
tension before the front belt tension

Front Belt
Tighten the nuts fully after the
required front belt tension is achieved.

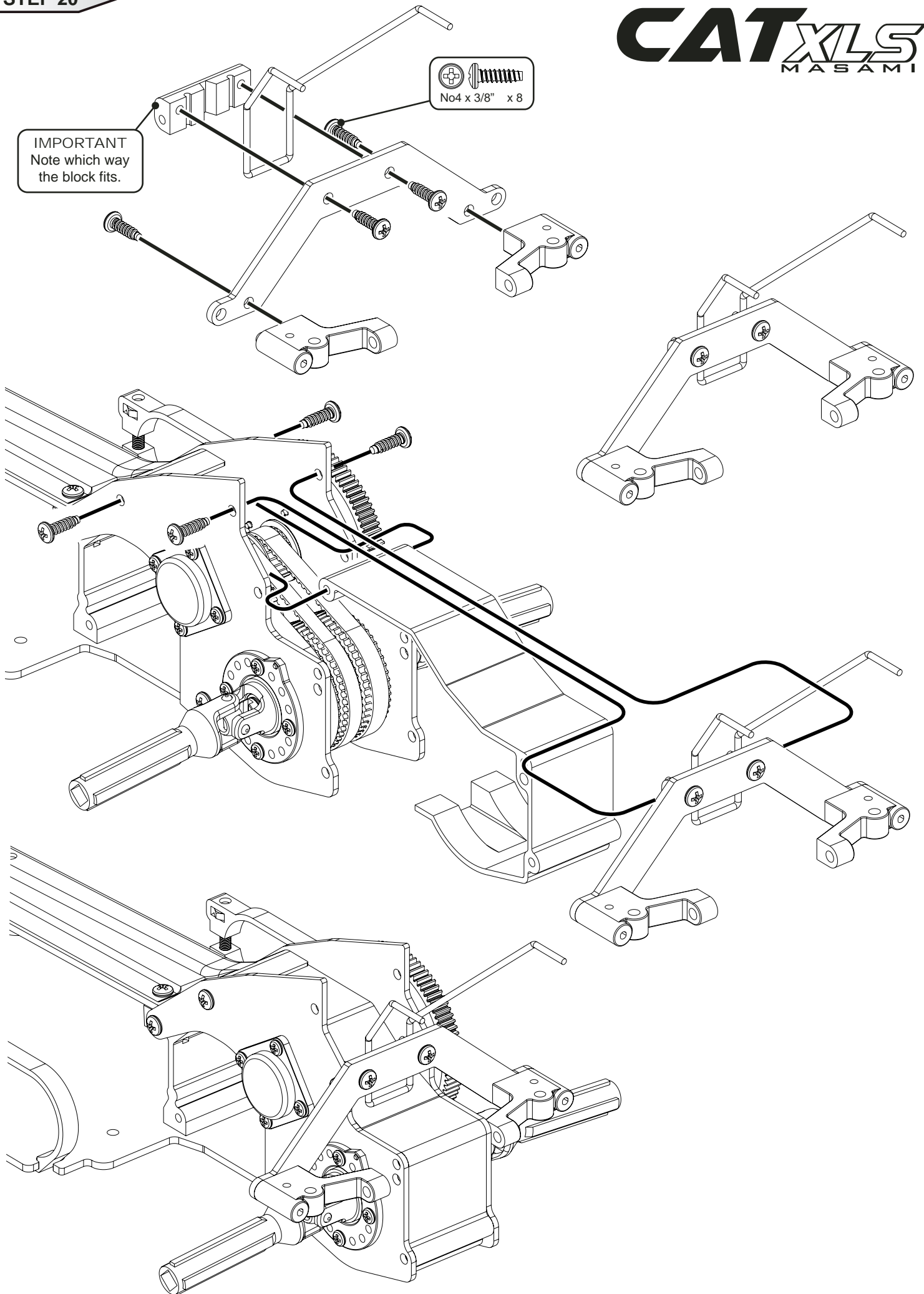
Front Belt
Check the front belt tension
by pushing on the belt with an allen key.



Front Belt Adjustment
Pull the front transmission housing
forwards to tighten the front belt tension.
Push it backwards to loosen the belt.

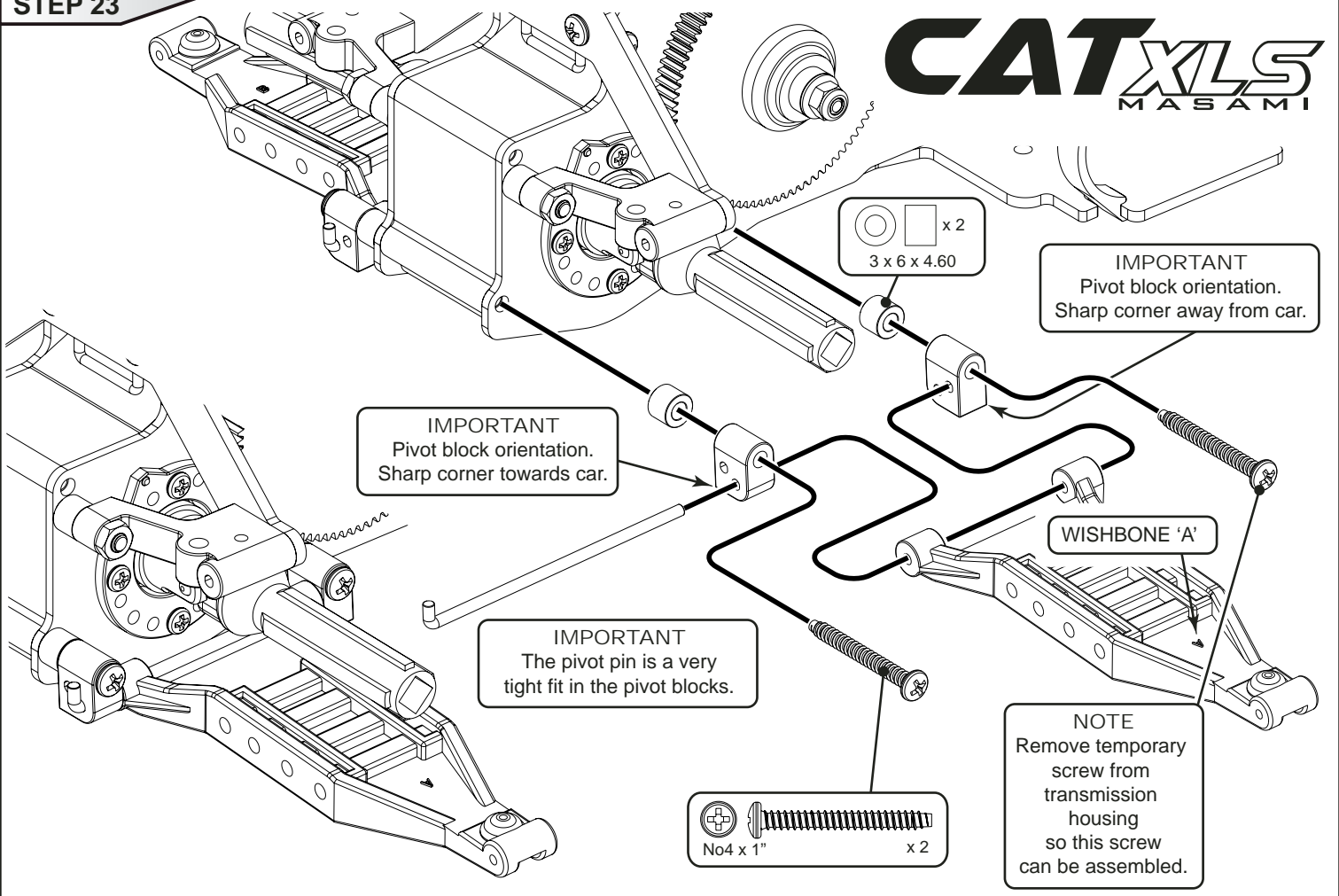


IMPORTANT
Note which way
the block fits.

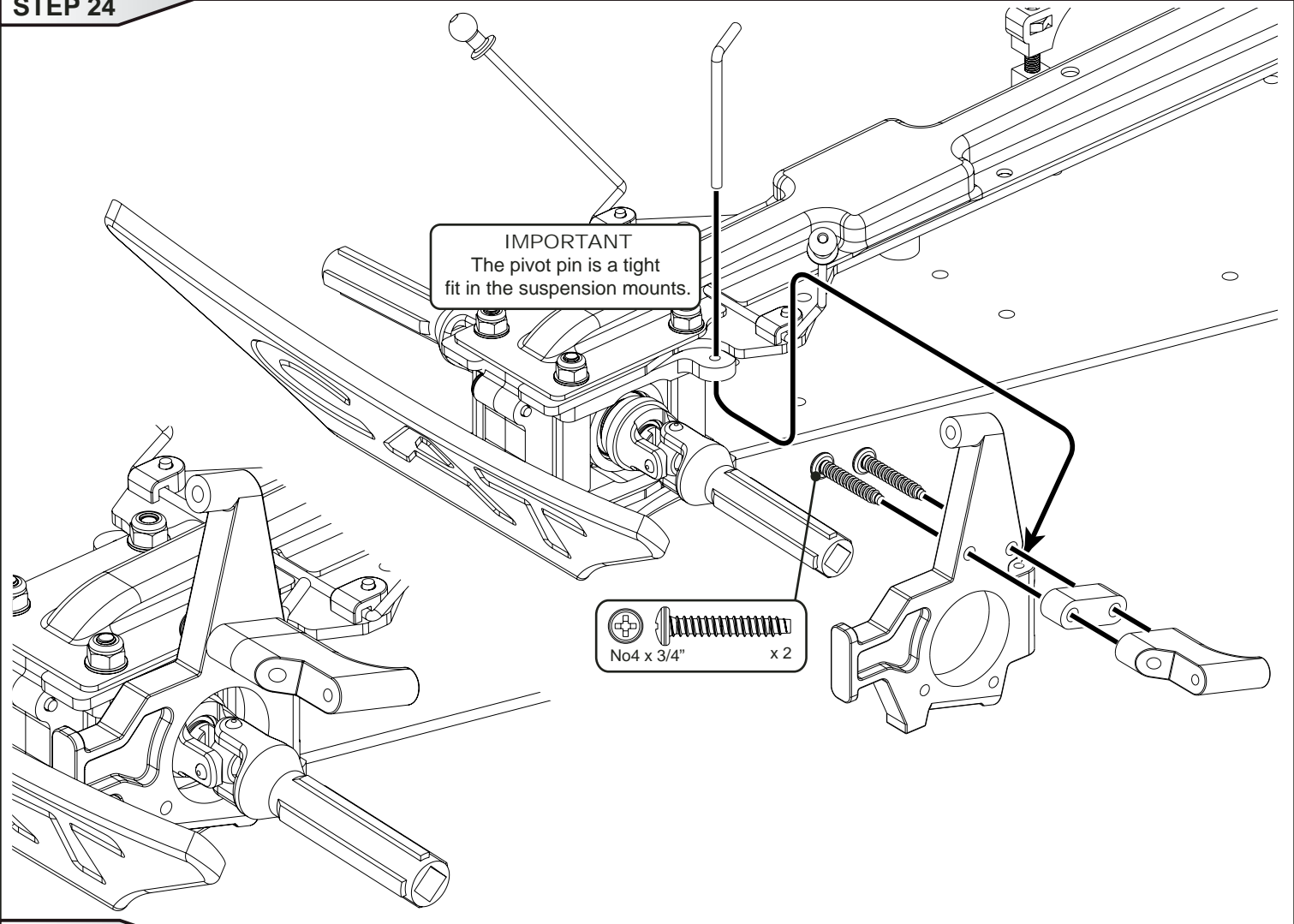


STEP 23

CAT*XLS*
MASAMI

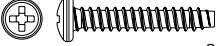


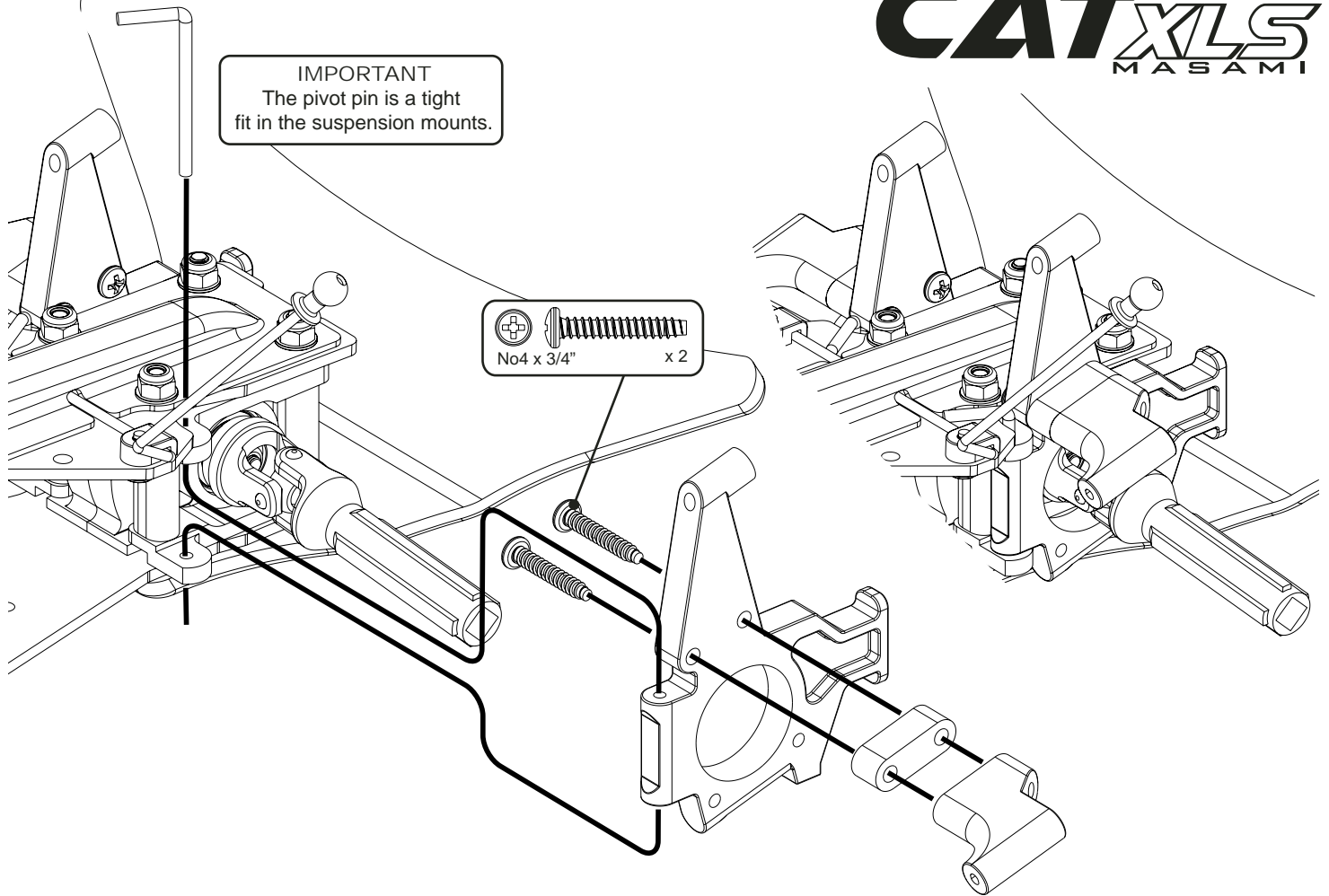
STEP 24



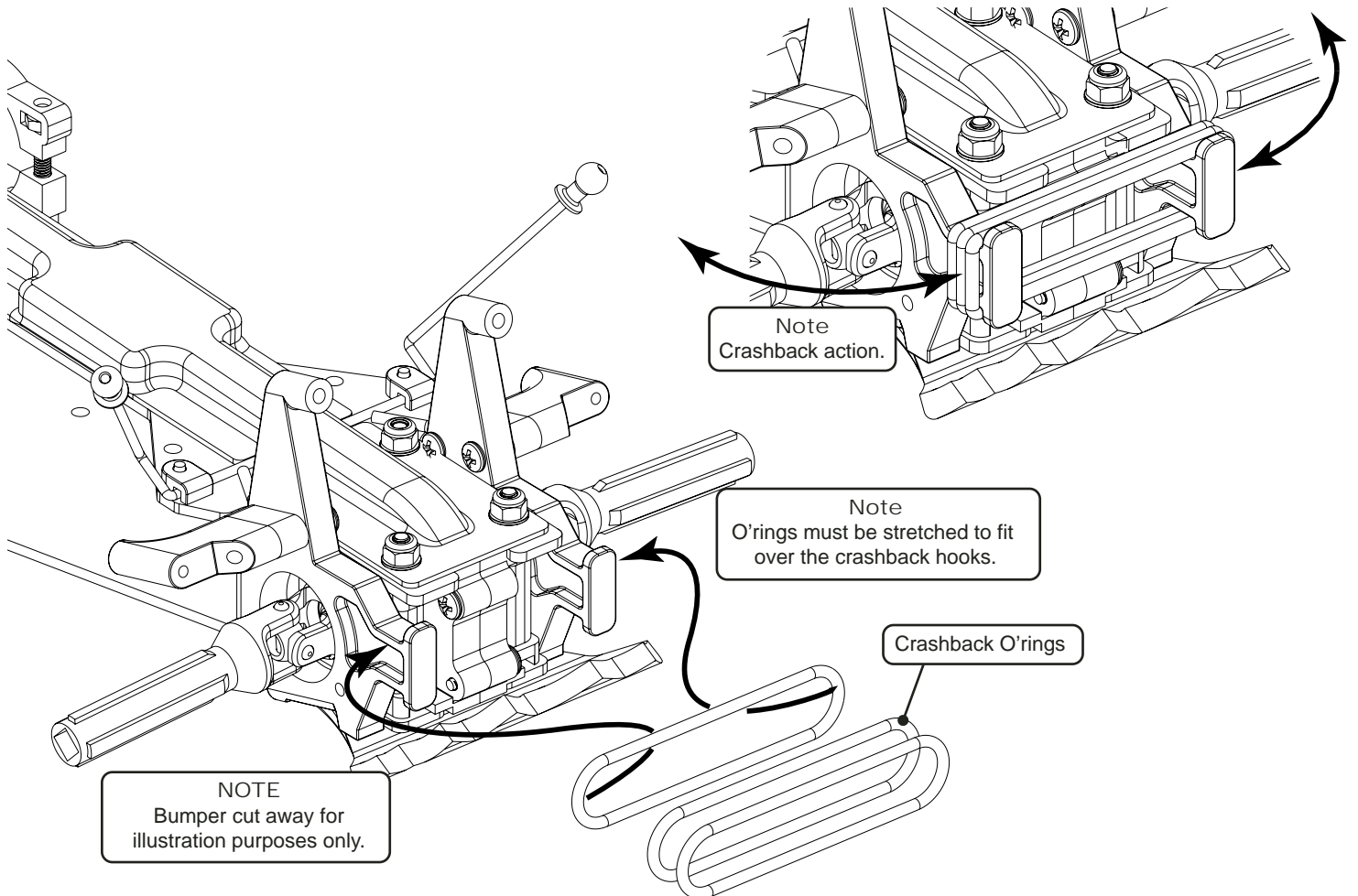
STEP 25

IMPORTANT
The pivot pin is a tight
fit in the suspension mounts.

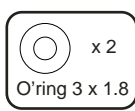

No4 x 3/4" x 2



STEP 26

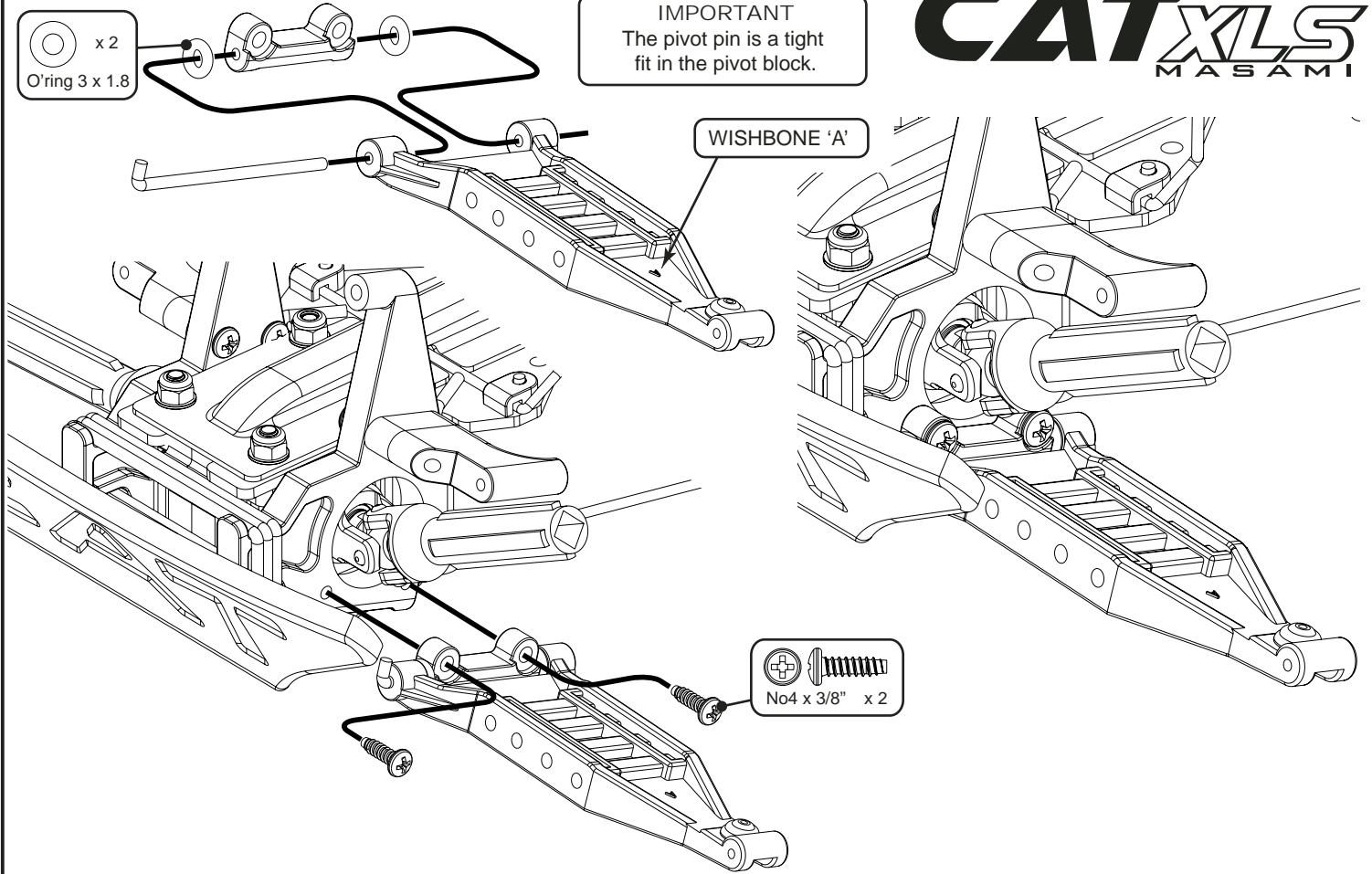


STEP 27

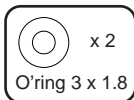


IMPORTANT
The pivot pin is a tight
fit in the pivot block.

CAT*XLS*
MASAMI

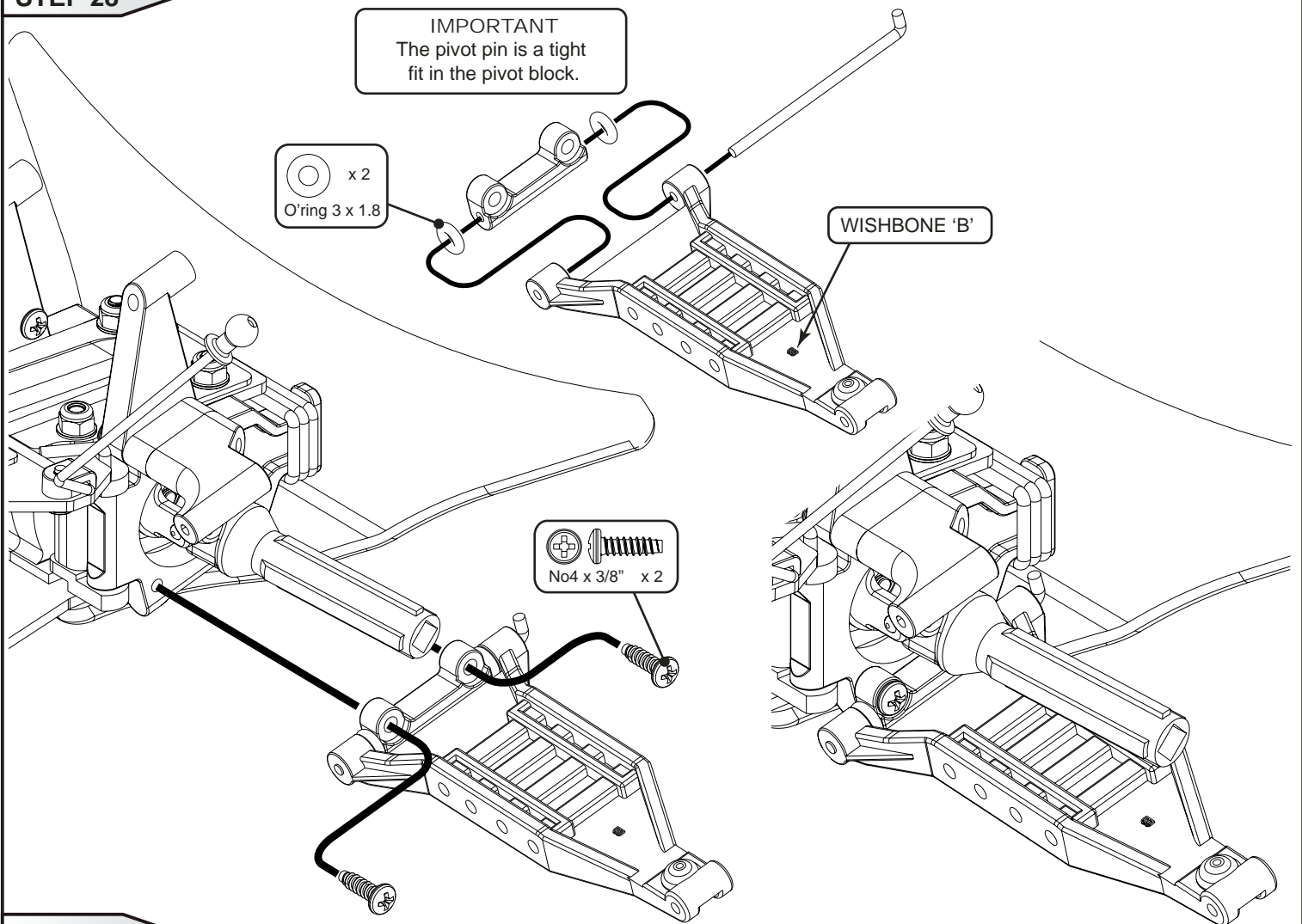
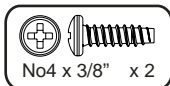


STEP 28



IMPORTANT
The pivot pin is a tight
fit in the pivot block.

WISHBONE 'B'

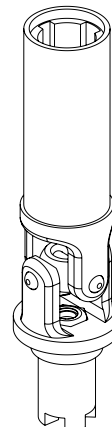
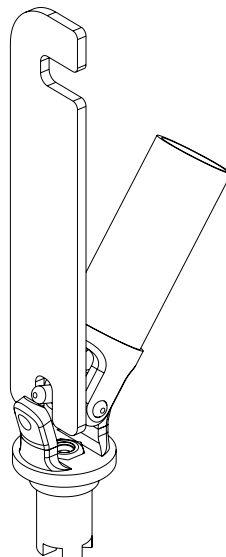
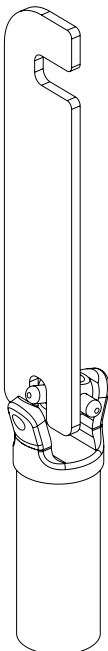
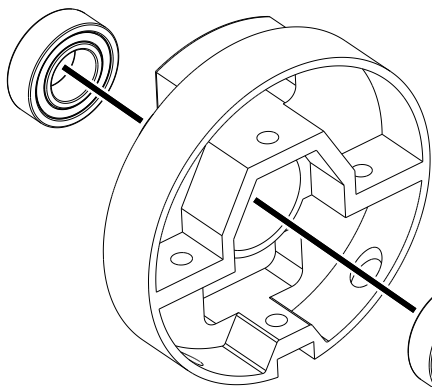


STEP 29

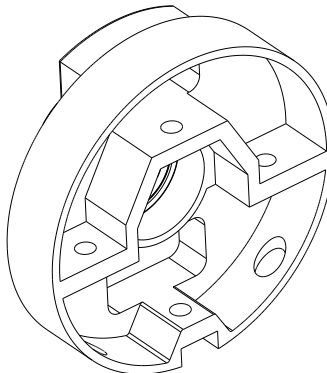
Rear left hub assembly

IMPORTANT
Use the same assembly procedure
as shown on page 8 STEP 10 A.

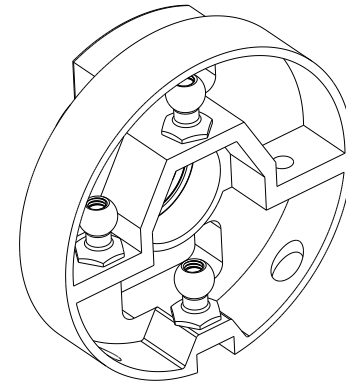
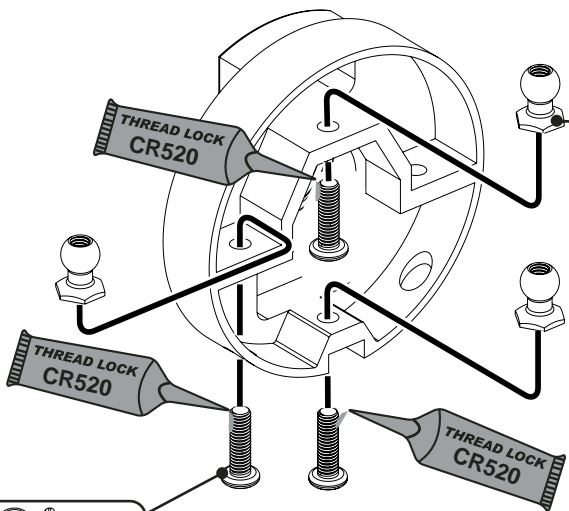
x 1
M3 Nyloc
Steel



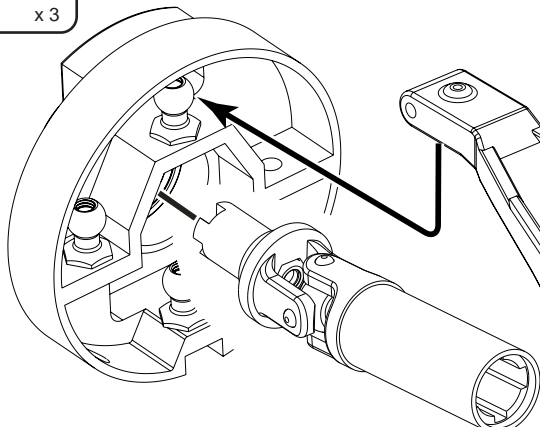
x 2
8 x 16 x 5



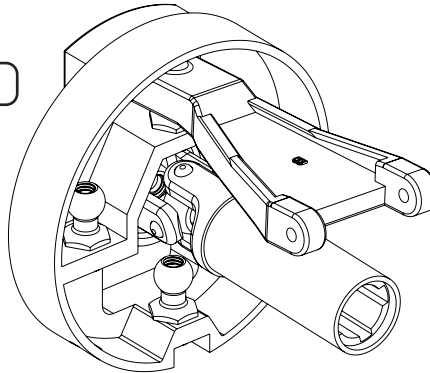
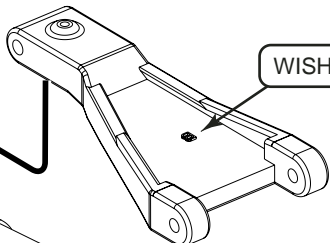
Pivot Ball x 3



M3 x 10 x 3



WISHBONE 'B'



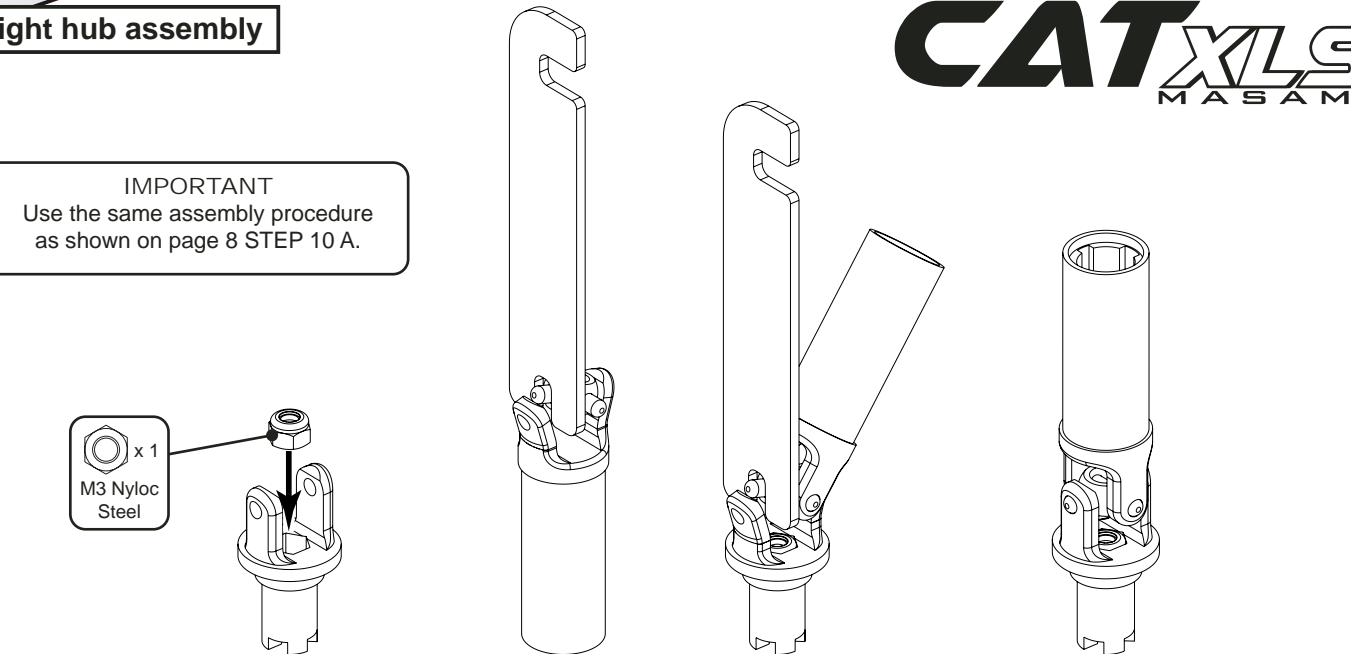
STEP 30

Rear right hub assembly

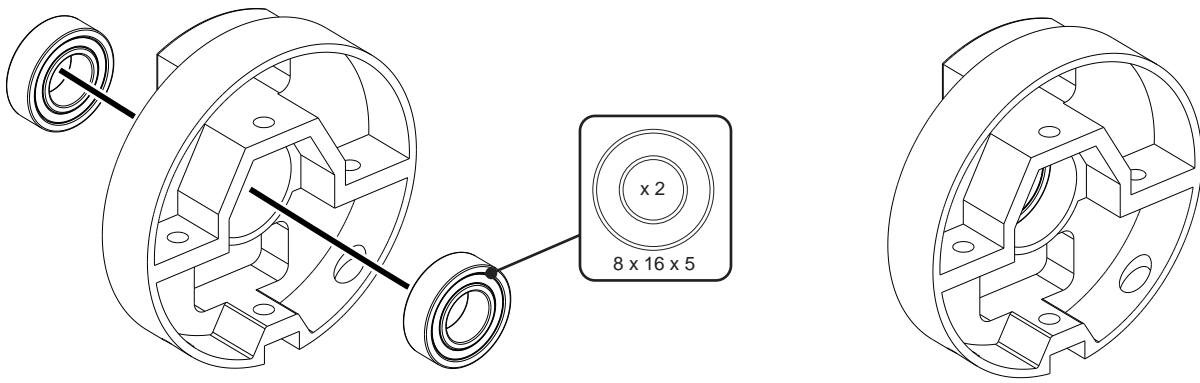
CAT*XLS*
MASAMI

IMPORTANT
Use the same assembly procedure
as shown on page 8 STEP 10 A.

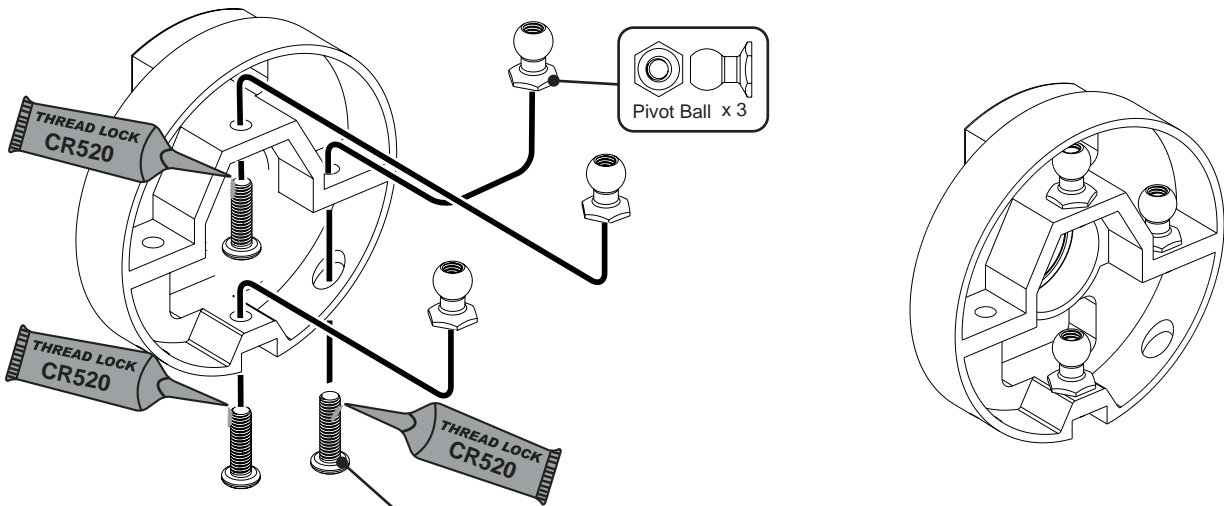
x 1
M3 Nyloc
Steel



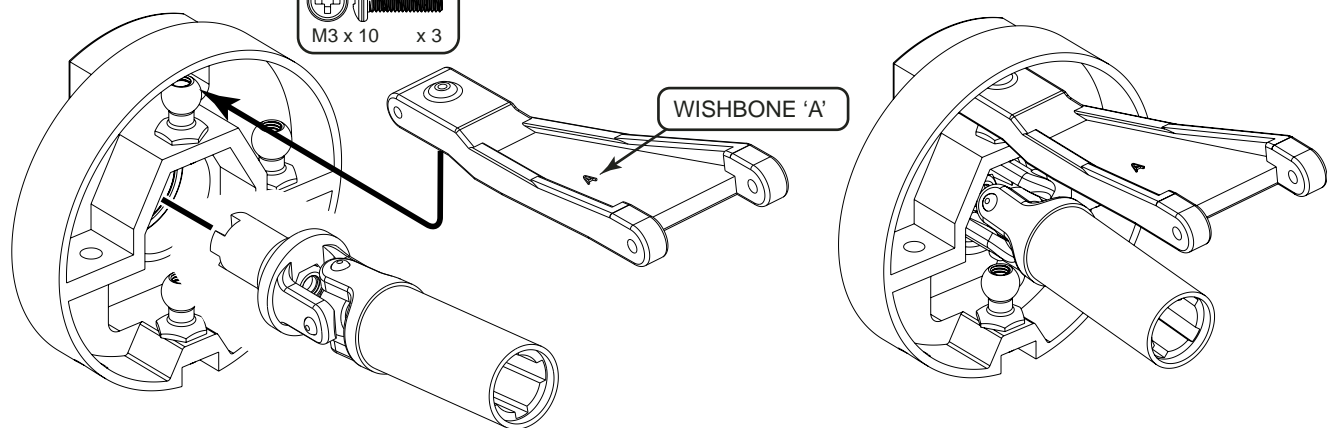
x 2
8 x 16 x 5



Pivot Ball x 3



M3 x 10 x 3

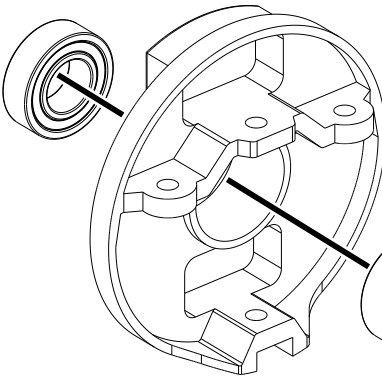
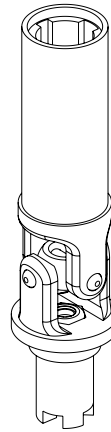
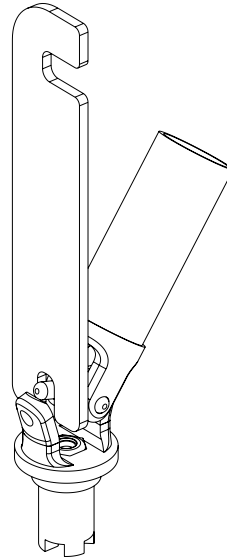
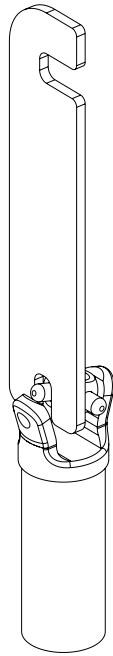
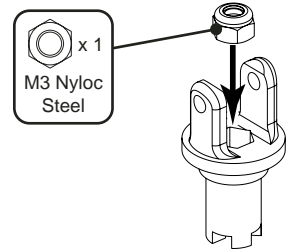


STEP 31

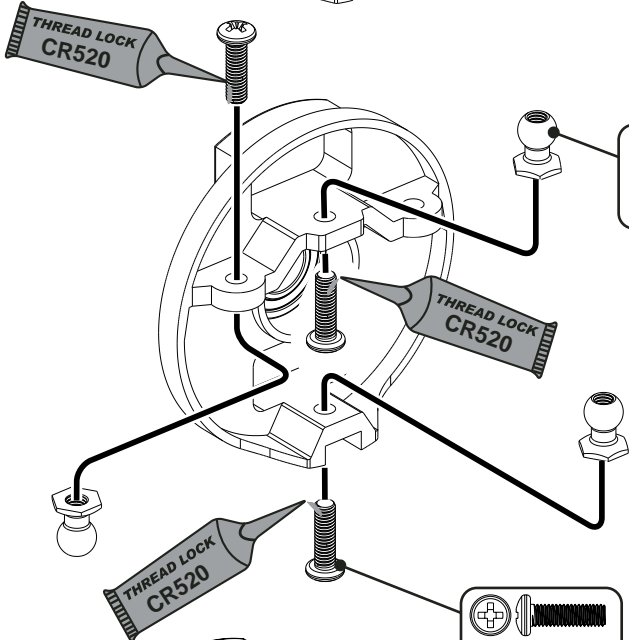
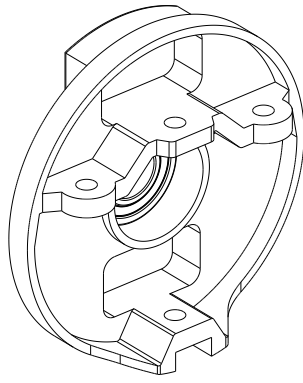
Front left hub assembly

IMPORTANT
Use the same assembly procedure
as shown on page 8 STEP 10 A.

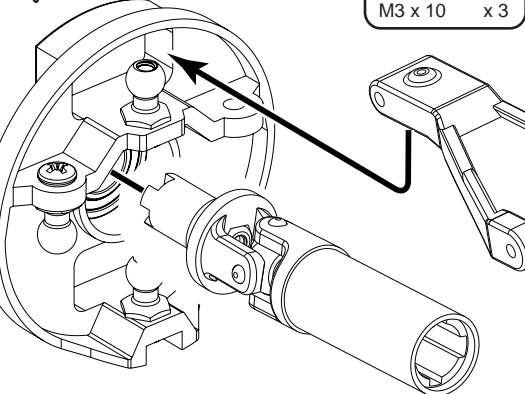
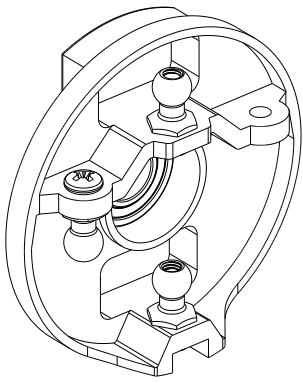
x 1
M3 Nyloc
Steel



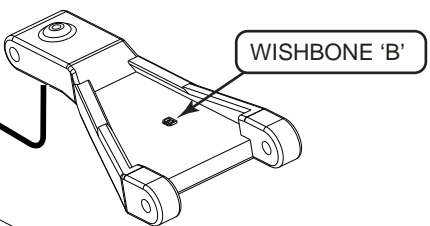
x 2
8 x 16 x 5



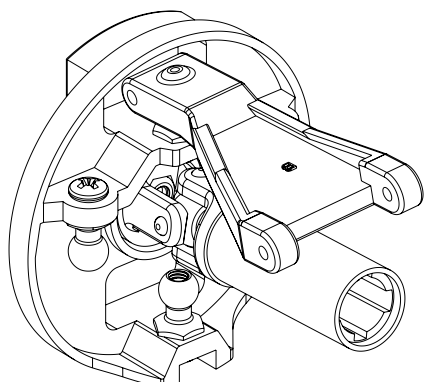
Pivot Ball x 3



M3 x 10 x 3



WISHBONE 'B'

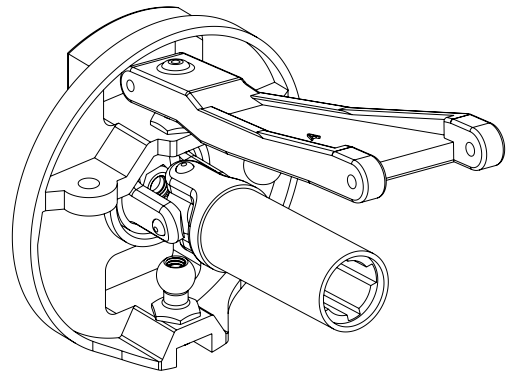
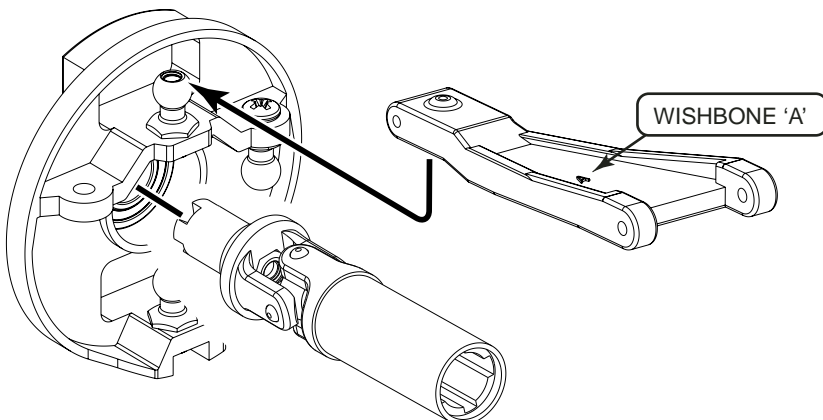
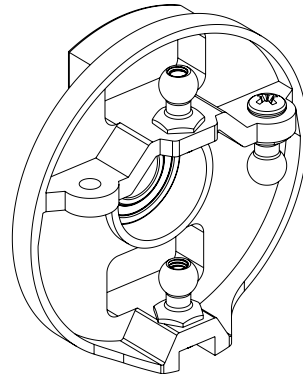
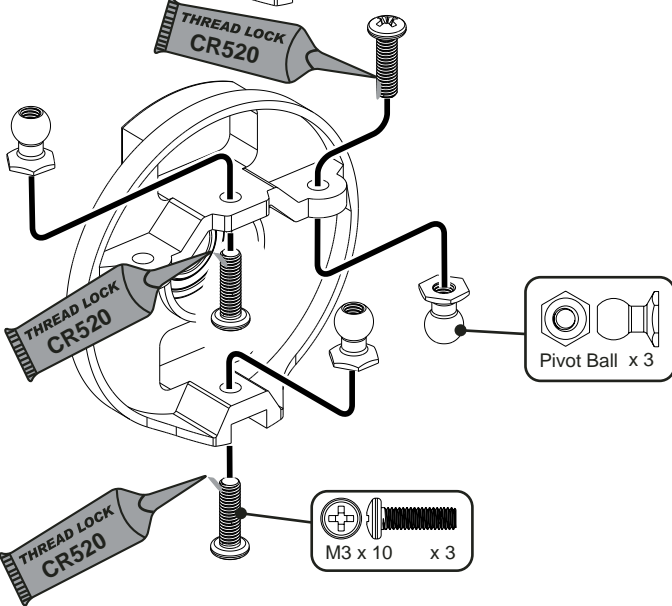
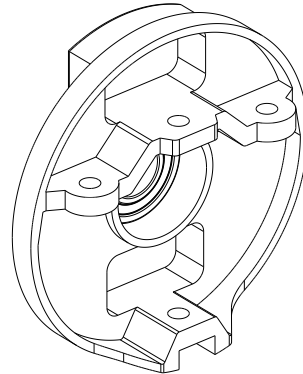
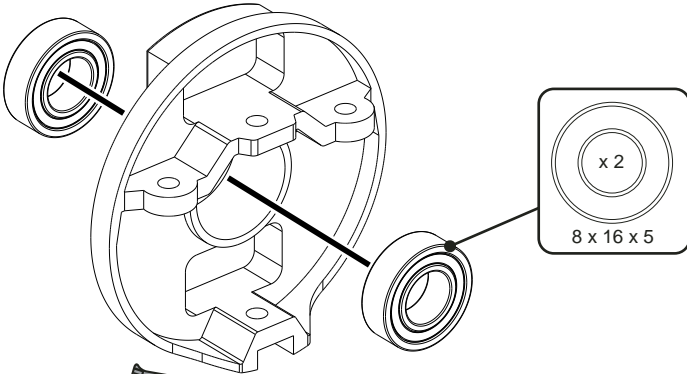
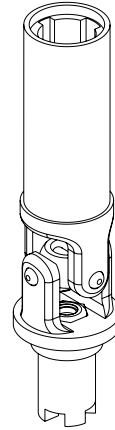
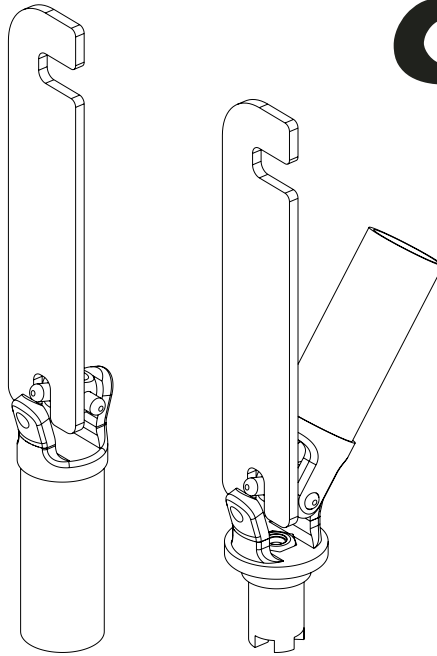
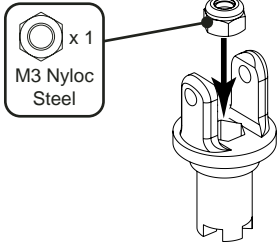


STEP 32

Front right hub assembly

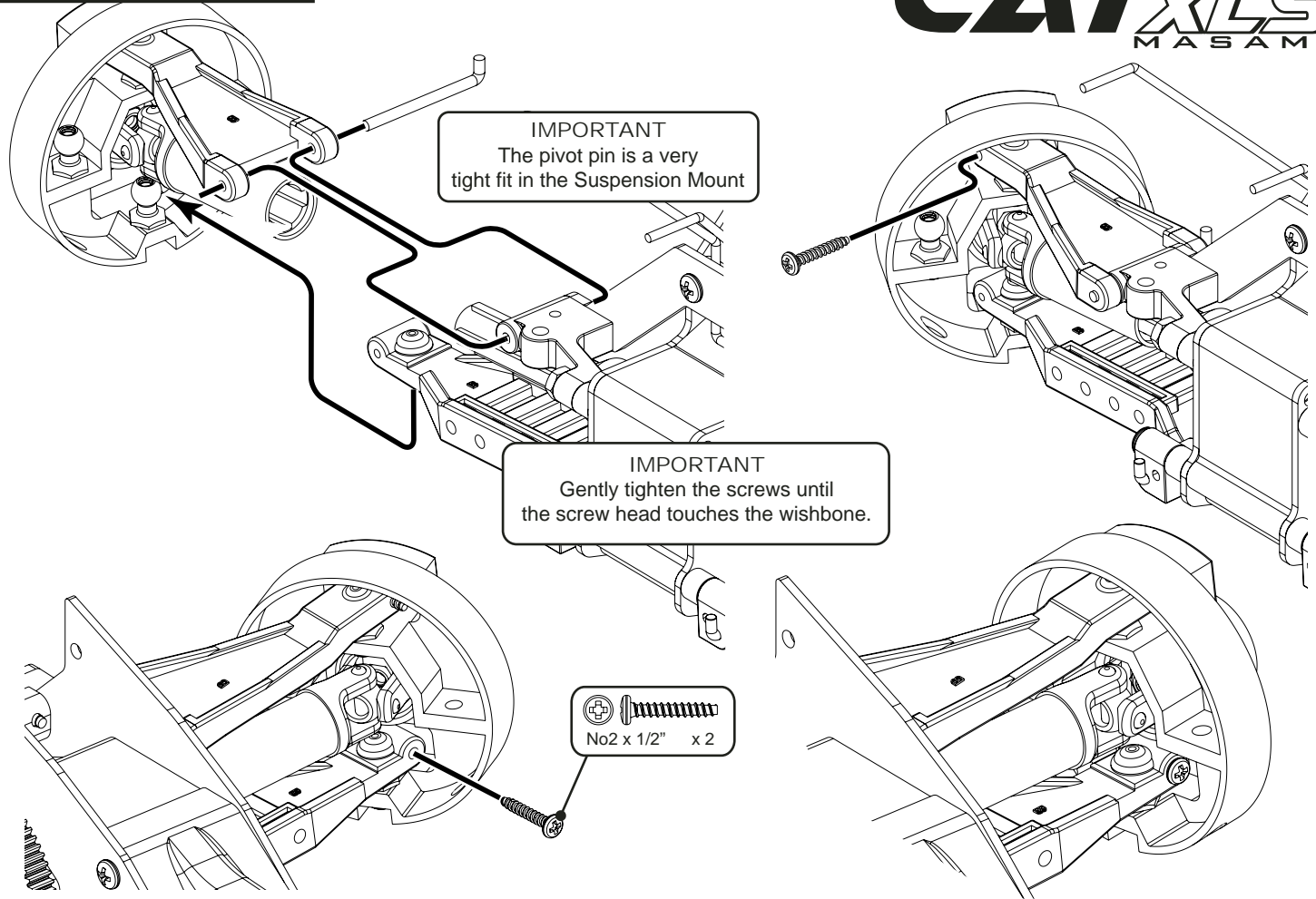
CAT*XLS*
MASAMI

IMPORTANT
Use the same assembly procedure
as shown on page 8 STEP 10 A.



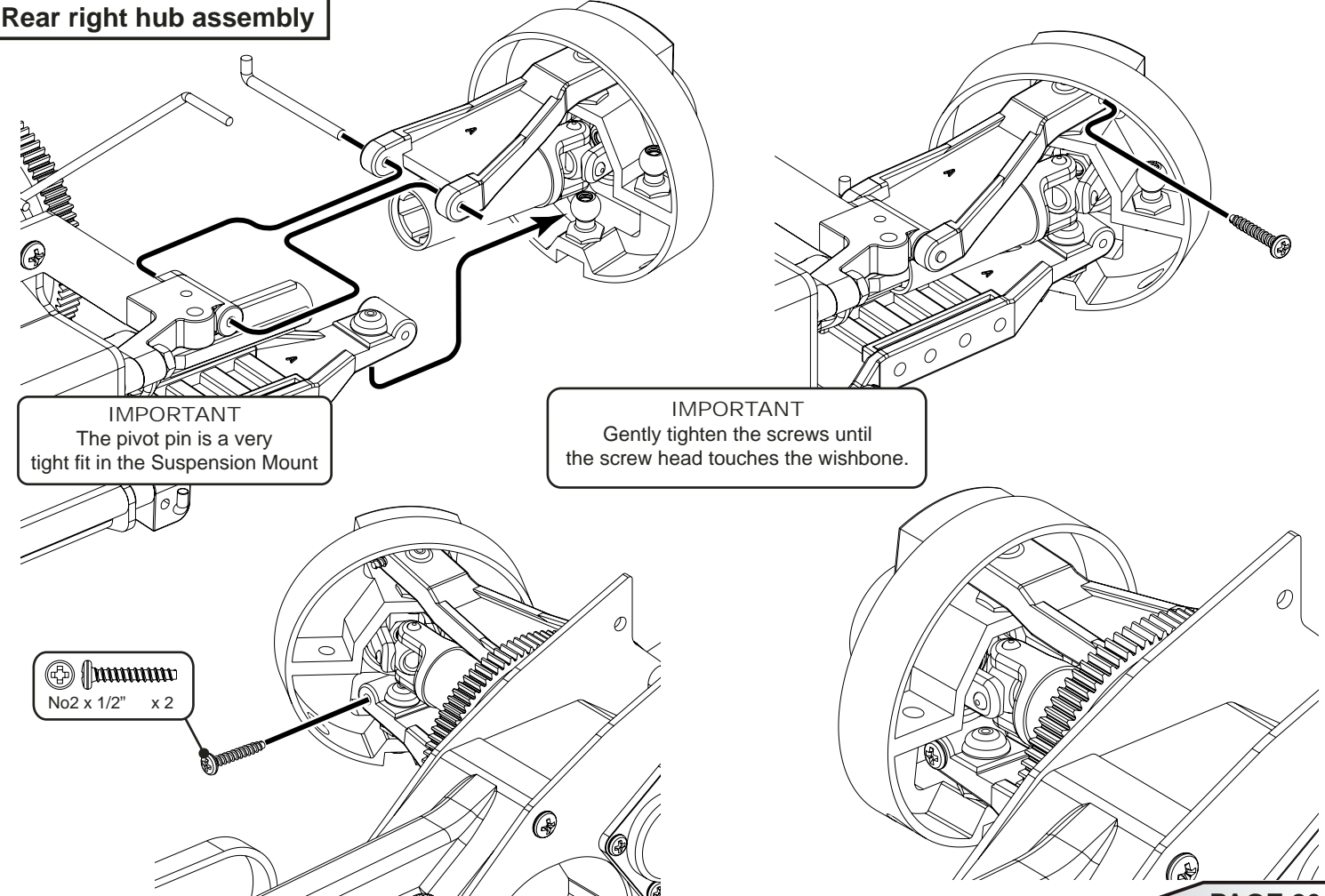
STEP 33

Rear left hub assembly



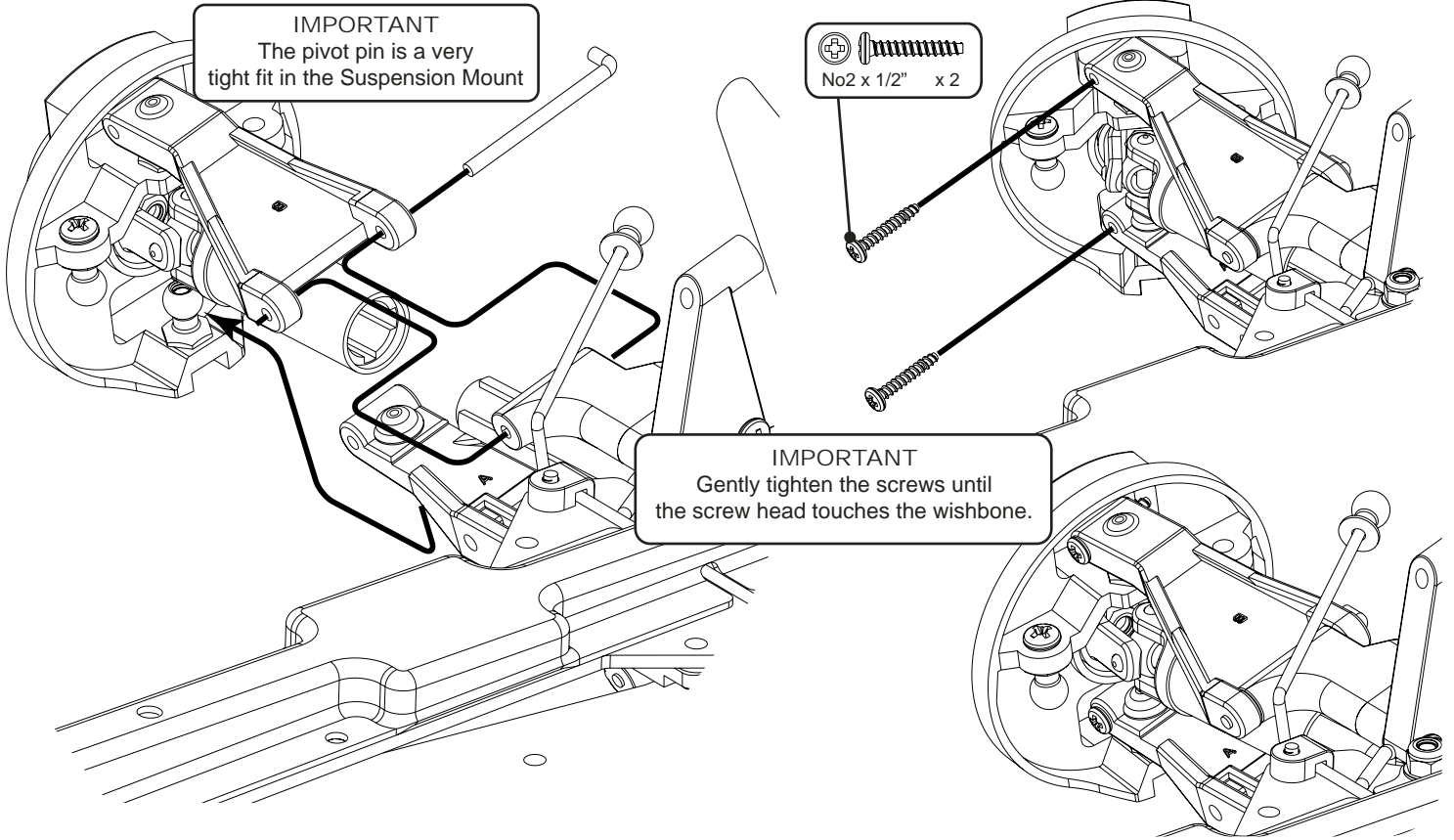
STEP 33

Rear right hub assembly



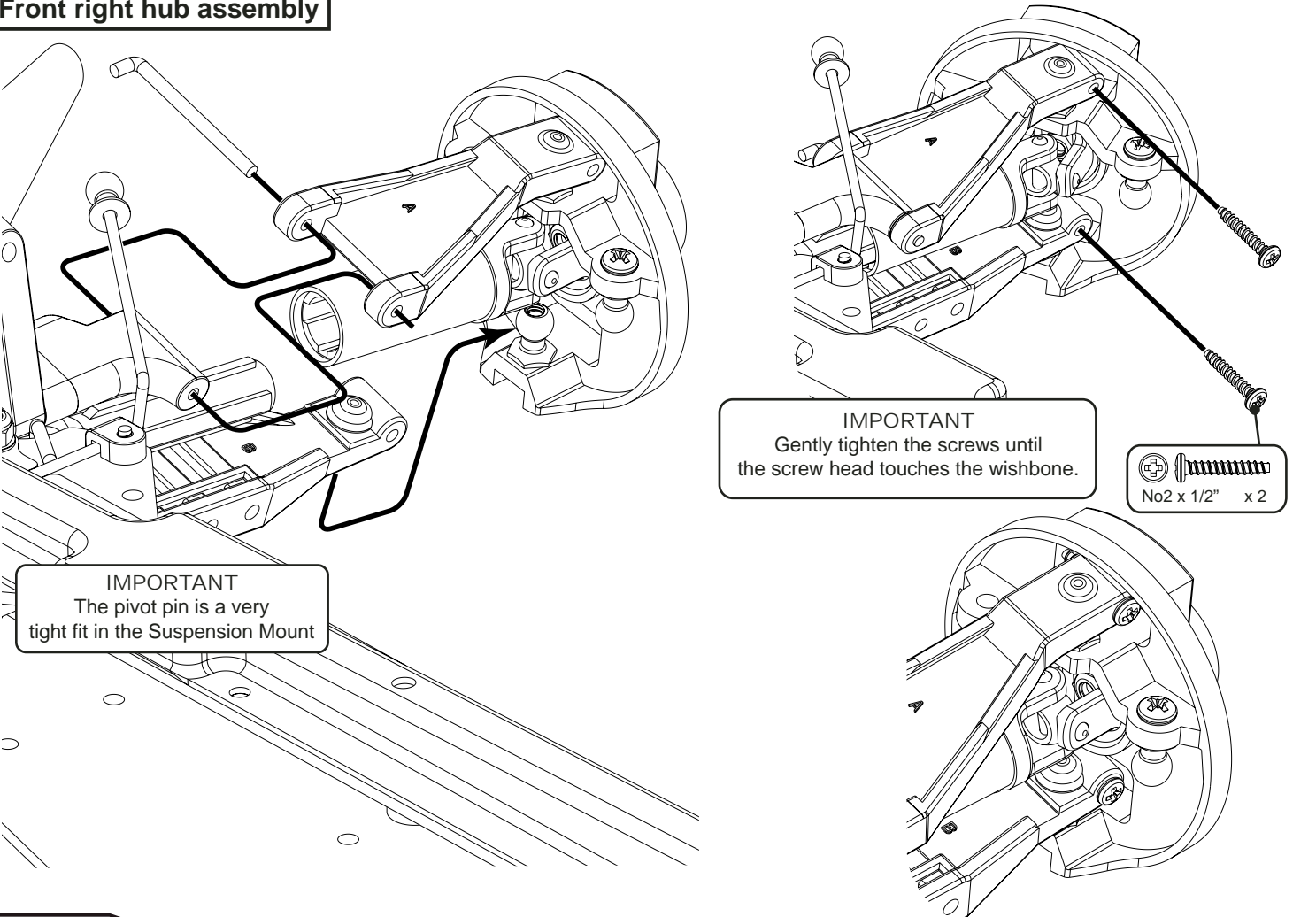
STEP 33

Front left hub assembly



STEP 33

Front right hub assembly



ELECTRIC - OFF ROAD CARS
K172 CAT XLS Masami

CHASSIS PARTS

CR290 1/12 Servo Saver 23T Sanwa/KO
CR291 1/12 Servo Saver 25T Futaba
U1042 Aerial Mount - Universal
U119 Aerial Tube (pk4)
U3495 Ball Studs; Ultra Short (pk4)
U4297 Turnbuckle HT - Touring 30mm (pr)
U4765 Lipo Post Nut - CAT K2 (pr)
U4778 LiPo Stops - CAT K2 (4pcs)
U4968 Ball Sockets Low Profile -Eclipse (pk4)
U7045 Lipo Posts Standard - Cougar KC/D
U7151 Steering Posts (4pcs) - CAT XLS
U7168 Wing Mount Wire - CAT XLS
U7173 Wing Mount Clamp (pr) - CAT XLS
U7190 Steering Lever Mouldings - CAT XLS
U7191 Trans Spacer Moulding (pr) - CAT XLS
U7192 Servo Mount Mouldings - CAT XLS
U7193 Servo Mount Spacer - CAT XLS
U7202 Lipo Clamp (pr) - CAT XLS
U7208 Front Bumper - CAT XLS
U7211 F/G Chassis - CAT XLS
U7212 F/G Top Deck - CAT XLS
U7213 F/G Rear Shock Mount - CAT XLS
U7214 F/G Centre Track Rod - CAT XLS
U7233 F/G Rear Suspension Strap - CAT XLS
U7234 F/G Lipo Straps (pr) - CAT XLS

BODYSHELLS AND DECALS

U5136 Bodyshell+Decal+Window Mask - CAT XLS
U5137 UnderTray - CAT XLS
U5138 Wing - CAT XLS
U5139 Belt Cover - CAT XLS
U5140 Gear Cover - CAT XLS

SUSPENSION

U4221 Turnbuckle Adjuster HTT - 24mm (pr)
U4222 Turnbuckle Adjuster HTT - 39mm (pr)
U4299 Turnbuckle HT - Touring 52mm (pr)
U7150 Pivot Ball (4pcs) - CAT XLS
U7159 Crash Back Pin (pr) - CAT XLS
U7160 Upper Pivot Pin (pr) - CAT XLS
U7161 Lower Pivot Pin Front (pr) - CAT XLS
U7162 Lower Pivot Pin Rear (pr) - CAT XLS
U7163 55mm Stud - CAT XLS
U7167 Front Anti Roll Bar - CAT XLS
U7169 Suspension Spacer 4.6mm (pr) - CAT XLS
U7170 Shock Top Bush (4pcs) - CAT XLS
U7179 Upper Wishbones (pr) - CAT XLS
U7180 Lower Wishbones (pr) - CAT XLS
U7185 Front Upper Wishbone Pivot (pr) - CAT XLS
U7186 Rear Suspension Bracket (pr) - CAT XLS
U7195 Front Pivot Bracket (pr) - CAT XLS
U7196 Upper & Lower Front Wishbone Spacers - CAT XLS
U7199 Front Hub Carrier (pr) - CAT XLS
U7200 Rear Hub Carrier (pr) - CAT XLS
U7201 Rear Pivot Blocks (4pcs) - CAT XLS
U7207 Anti Roll Bar Clamp (pr) - CAT XLS
U7209 Ball Sockets (4pcs) - CAT XLS
U7217 Crashback Oring (3pcs) - CAT XLS
U7262 Anti Roll Bar Ball (4pcs) - CAT XLS

SHOCK ABSORBERS

U1383 Grey Shock Springs (pr) - Long Rate3
U1390 Grey Shock Spring (pr) - Sh Rate3
U2668 Shock Spring - R6 (pr)
U3398 Springs; Off Road XR3.5 Blue (pr)
U3399 Springs; Off Road XR4.0 Black (pr)
U4362 Small Bore Diaphragm - pk4
U7145 Rear Shock Body (pr) - CAT XLS
U7146 Front Shock Body (pr) - CAT XLS
U7147 Shock Cap (pr) - CAT XLS
U7148 Rear Shock Shaft (pr) - CAT XLS

SHOCK ABSORBERS Cont....

U7149 Front Shock Shaft (pr) - CAT XLS
U7171 Shock Bush Internal (pr) - CAT XLS
U7172 Shock Rebuild Kit (pr) - CAT XLS
U7176 Front Pistons (pr) - CAT XLS
U7177 Rear Pistons (pr) - CAT XLS
U7210 Shock Sockets (4 pcs) - CAT XLS
U7253 Yellow Shock Spring (pr) - Sh Rate2
U7261 Shock Mouldings (pr) - CAT XLS
U7270 Blue Shock Spring (pr) - Sh Rate4
U7271 Black Shock Spring (pr) - Sh Rate6
U7272 Shock Spring R6 Front (pr)
U7273 Shock Spring R4 Rear (pr)

TRANSMISSION

U7140 Motor Plate - CAT XLS
U7141 Cover Plate - CAT XLS
U7142 Integrator Axle - CAT XLS
U7143 Differential Shaft - CAT XLS
U7144 Drive Shaft Mouldings (8pcs) - CAT XLS
U7152 UJ Assembly (pr) - CAT XLS
U7156 Thrust Washer (pr) - CAT XLS
U7157 Diff Washer (pr) - CAT XLS
U7158 Integrator Washer (pr) - CAT XLS
U7174 Front Belt 323T x 4mm - CAT XLS
U7175 Rear Belt 72T x 5mm (pr) - CAT XLS
U7178 89T Diff Spur Gear - CAT XLS
U7183 21T Diff Pulleys & Fences - CAT XLS
U7184 Layshaft Thrust Cage with Balls - CAT XLS
U7187 Eccentrics (pr) - CAT XLS
U7188 Bearing Housings (pr) - CAT XLS
U7189 Diff Washer Carrier (pr) - CAT XLS
U7194 Front Suspension Brackets (4 pcs) - CAT XLS
U7197 Rear Inner Trans Housing - CAT XLS
U7198 Rear Outer Trans Housing - CAT XLS
U7203 51T Centre Pulley Front or Rear - CAT XLS
U7204 51T Rear Side Pulleys (pr) - CAT XLS
U7205 Front Washer Carrier (pr) - CAT XLS
U7206 Front Trans Housings (pr) - CAT XLS
U7216 Thrust Race F1/8 x 5/16 x 9/64 Grooved
U7240 Pro Diff Rebuild Kit - CAT XLS

BEARINGS AND BALLS

G200 ZX1 - Microlube
H1031 Bearing Blaster Aerosol 500ml
U1300 Axle Grease - Pot
U1301 Silicone Diff Lube - Pot
U4943 Ball Bearing - 1/8x1/4 Sheild (pr)
U7155 Bearing 8 x16 x 5 Black Seal (pr)
U729 Chrome Steel Balls 3mm (pk36)
U7281 Tungsten Carbide Balls 3mm (pk12)

SPEED PACKS

U1547 SPEED PACK - M3 Nuts
U1548 SPEED PACK - M3 Washers
U1551 SPEED PACK - E Clips - (pk8)
U1633 SPEED PACK - Small Pins (pk16)
U1960 SPEED PACK - O Rings; Various
U3131 SPEED PACK - Alloy Spacers - M3x7mm (pk18)
U7090 SPEED PACK - M4x20 Grub Screw (pk4)
U7164 SPEED PACK - M3 x 12 SS Cap Hd (pk10)
U7165 SPEED PACK - M3 x 16 SS Cap Hd (pk10)
U7166 SPEED PACK - M3 x 20 SS Cap Hd (pk10)
U7218 SPEED PACK - M3 x 6 Pan Hd Pozi (pk10)
U7219 SPEED PACK - M3 x 8 Pan Hd Pozi (pk10)
U7220 SPEED PACK - M3 x 10 Pan Hd Pozi (pk10)
U7221 SPEED PACK - M3 x 12 Pan Hd Pozi (pk10)
U7222 SPEED PACK - M2 Nut (pk10)
U7223 SPEED PACK - M3 X 12 Grub (pk10)
U7224 SPEED PACK - M3 x 40 Csk Pozi (pk10)
U7225 SPEED PACK - M2 Steel Washer (pk10)

SPEED PACKS Cont....

U7226 SPEED PACK - No 2 x 3/16 Pan Hd (pk10)
 U7227 SPEED PACK - No 2 x 1/2 Pan Hd (pk10)
 U7228 SPEED PACK - No 4 x 1/4 Pan Hd (pk10)
 U7229 SPEED PACK - No 4 x 3/8 Pan Hd (pk10)
 U7230 SPEED PACK - No 4 x 1/2 Pan Hd (pk10)
 U7231 SPEED PACK - No 4 x 3/4 Pan Hd (pk10)
 U7232 SPEED PACK - No 4 x 1 Pan Hd (pk10)
 U7258 SPEED PACK - M2 x 16 Pan Hd Pozi (pk10)
 U7259 SPEED PACK - M3 x 8 Csk Pozi (pk10)
 U7260 SPEED PACK - Disc Spring 8x3.2x0.5mm (pk8)
 U7275 SPEED PACK - M3 x 8 SS Cap Hd (pk10)

SPEED SECRET - OPTION PARTS

U7235 Rear Roll Bar Complete - CAT XLS
 U7236 Pro Transmission Upgrade - CAT XLS
 U7237 Pro Front Diff Pulley & Fences - CAT XLS
 U7238 Pro Rear Diff Pulley & Fences - CAT XLS
 U7239 Pro Layshaft - CAT XLS
 U7240 Pro Diff Rebuild Kit - CAT XLS
 U7241 Pro Front Belt - CAT XLS
 U7242 Pro Rear Belt (pr) - CAT XLS
 U7243 Alloy Washer Carrier (pr) - CAT XLS
 U7244 Pro Transmission Orings - CAT XLS
 U7245 Alloy Eccentric (pr) - CAT XLS
 U7263 C/F Chassis - CAT XLS
 U7264 C/F Topdeck - CAT XLS
 U7265 C/F Rear Shock Mount - CAT XLS
 U7266 C/F Rear Suspension Support - CAT XLS
 U7267 C/F Lipo Straps (pr) - CAT XLS
 U7268 C/F Servo Spacer and C.T.R - CAT XLS
 U7292 Alloy Rear Trans Housing Inner - CAT XLS
 U7293 Alloy Front Trans Housings - CAT XLS
 U7294 Alloy Rear Trans Spacer - CAT XLS

SHOCK AND DIFF OIL

CR200 CORE RC Silicone Oil - 100cSt - 60ml
 CR201 CORE RC Silicone Oil - 150cSt - 60ml
 CR202 CORE RC Silicone Oil - 200cSt - 60ml
 CR203 CORE RC Silicone Oil - 250cSt - 60ml
 CR204 CORE RC Silicone Oil - 300cSt - 60ml
 CR205 CORE RC Silicone Oil - 350cSt - 60ml
 CR206 CORE RC Silicone Oil - 400cSt - 60ml
 CR207 CORE RC Silicone Oil - 450cSt - 60ml
 CR208 CORE RC Silicone Oil - 500cSt - 60ml
 CR209 CORE RC Silicone Oil - 550cSt - 60ml
 CR210 CORE RC Silicone Oil - 600cSt - 60ml
 CR211 CORE RC Silicone Oil - 700cSt - 60ml
 CR212 CORE RC Silicone Oil - 800cSt - 60ml
 CR213 CORE RC Silicone Oil - 900cSt - 60ml
 CR214 CORE RC Silicone Oil - 1000cSt - 60ml
 CR215 CORE RC Silicone Oil - 1300cSt - 60ml
 CR216 CORE RC Silicone Oil - 2000cSt - 60ml
 CR217 CORE RC Silicone Oil - 3000cSt - 60ml
 CR218 CORE RC Silicone Oil - 4000cSt - 60ml
 CR219 CORE RC Silicone Oil - 5000cSt - 60ml
 CR220 CORE RC Silicone Oil - 6000cSt - 60ml
 CR221 CORE RC Silicone Oil - 7000cSt - 60ml
 CR222 CORE RC Silicone Oil - 10000cSt - 60ml
 CR223 CORE RC Silicone Oil - 20000cSt - 60ml
 CR224 CORE RC Silicone Oil - 30000cSt - 60ml
 CR225 CORE RC Silicone Oil - 40000cSt - 60ml
 CR226 CORE RC Silicone Oil - 50000cSt - 60ml
 CR227 CORE RC Silicone Oil - 100000cSt - 60ml
 CR228 CORE RC Silicone Oil - 300000cSt - 60ml
 CR229 CORE RC Silicone Oil - 12000cSt - 60ml
 CR230 CORE RC Silicone Oil - 15000cSt - 60ml
 G010 Pure Silicone Shock Oil - 10w
 G015 Pure Silicone Shock Oil - 15w
 G020 Pure Silicone Shock Oil - 20w
 G025 Pure Silicone Shock Oil - 25w
 MR33-OB MR33 New Oil Bag

TOOLS

AM110114 Allen Wrench 1.5x45mm
 AM110115 Allen Wrench 1.5x120mm
 AM110120 Hex Driver 2.0x120mm
 AM110124 Hex Driver 2.0x45mm
 AM110125 Allen Wrench 2.5x120mm
 AM110128 Allen Wrench 2.5x45mm
 AM140135 Phillips Screwdriver 3.5x120mm
 AM140140 Phillips Screwdriver 4.0x120mm
 AM150140 Nut Driver 4.0 x 60mm
 AM150155 Nut Driver 5.5x100mm
 AM190009 Turnbuckle Wrench 4mm - V2
 AM190031B Multi Shock Clamp - V3 - Black
 AM190031G Multi Shock Clamp - V3 - Grey
 AM410114 Allen Wrench - 1.5 x 60mm Honeycomb
 AM410115 Allen Wrench - 1.5 x 120mm V2
 AM410116BG Allen Wrench 1.5 x 100mm Black Golden
 AM410120 Allen Wrench - 2.0 x 120mm V2
 AM410121BG Allen Wrench 2.0 x 100mm Black Golden
 AM410124 Allen Wrench 2.0 x 60mm Honeycomb
 AM410125 Allen Wrench - 2.5 x 120mm V2
 AM410126BG Allen Wrench 2.5 x 100mm Black Golden
 AM410128 Allen Wrench 2.5 x 60mm Honeycomb
 AM440135 Phillips Screw Driver 3.5 x 120mm V2
 AM440136BG Phillips Screwdriver 3.5 x 100mm Black Golden
 AM440140 Phillips Screw Driver 4 x 120mm V2
 AM440141BG Phillips Screwdriver 4.0 x 100mm Black Golden
 AM450155 Nut Driver 5.5 x 100mm V2
 AM450155BG Nut Driver 5.5 x 100mm Black Golden
 AM490003 Reamer with End Cap for Lexan Body Honeycomb
 CR044 CORE RC - Curved Body Scissors
 CR045 CORE RC - Straight Body Scissors
 CR100 Shock Shaft Pliers - Purple
 CR101 Shock Shaft Pliers - Black
 CR195 Portable Emergency 60W Soldering Iron
 CR231 Snipe Nose Box Joint Plier - 115mm
 CR232 High Precision Micro Shear
 CR238 5 x Diamond Files - 140mm
 CR239 Steel Ruler - 150mm/6inch
 CR240 Plastic Scalpel Handle with 5 Blades - No 11
 CR244 Finger Sander 20mm - (Med Grit)
 CR245 Sander Bands x 3 - Medium
 CR246 Sander Bands x 3 - Fine
 CR247 Multi Angled Bench Vice
 CR248 Hobby Bench Vice
 CR260 Steel Ruler - 12"/300mm
 CR261 Digital Plastic LCD Caliper
 CR263 Metal Digital Caliper + Case 150mm
 CR265 Needle Files in Case - 6pc
 CR266 Soldering Iron 40w - 230V
 CR267 Soldering Iron 100W - 230V
 CR268 Tips for 100W Soldering Iron
 CR269 Soldering Bit for 40w Iron - Chisel
 CR271 4 Way Wrench Small - 4.0,4.5,5.5,7.0mm
 CR275 Soldering Iron 80w - 230v
 CR276 Soldering Bit for 80w Iron - Wedge
 CR518 Super Glue Nozzles - pk10
 CR520 Medium Thread Lock 3ml
 CR521 Super Glue Activator 63ml
 CR522 CORE RC - 522 Pro Tyre Glue + 2 Nozzles
 CR523 Retractable safety Knife - 10A
 CR524 Stainless Steel Tweezers AA
 CR525 Stainless Steel Tweezers #5
 CR526 Stainless Steel Tweezers #7
 CR527 Tyre Spike Cutter
 CR528 Snipe Nose Serrated Pliers 125mm
 CR533 No 2 Med Knife Handle & Blade/Cap
 CR534 5 x #2 Blades for No 2 Handle
 CR535 5 x #15 Saw Blades for No 2 Handle
 CR536 5 x #27 Saw Blades for No 2 Handle
 CR537 No 1 Slim Knife Handle & Blade/Cap

TOOLS Cont....

CR538 5 x #11 Blades for No 1 Handle
 CR539 5 x #10 Blades for No 1 Handle
 CR546 Cordless Rotary Tool Set 9.6V
 CR659 Steel Spanner 4.0mm
 CR660 Steel Spanner 1/4"
 CR637 5 x No11 Scapel Blades for CR240
 ED110114 Hex Driver 1.5x60mm
 ED110115 Hex Driver 1.5x120mm
 ED110120 Hex Driver 2.0x120mm ED110124 Hex Driver 2.0x45mm
 ED110125 Hex Driver 2.5x120mm
 ED110128 Hex Driver 2.5x60mm
 ED140135 Phillips Screwdriver 3.5x120mm
 ED140140 Phillips Screwdriver 4.0x120mm
 ED150155 Nut Driver 5.5x100mm
 ED190009 Turnbuckle Wrench 4mm
 ED190012 Reamer with Protection Cap for Body - 14mm
 ED190033 Body Scissors
 ED190034 Body Scissors Curved
 H1057 Loctite Precision Super Glue - 5g
 HW010 Circlip Pliers; Internal - Wiha
 MP9007 MIP - Hex Driver Wrench 1.5mm
 MP9008 MIP - Hex Driver Wrench 2.0mm
 MP9009 MIP - Hex Driver Wrench 2.5mm
 MP9701 MIP-Nut Driver Wrench - 4.0mm
 MP9703 MIP-Nut Driver Wrench - 5.5mm
 MR-SUPER GLUE Perfect Super Glue for Rubber Tyres
 NR96221 Ultimate Glue
 SK-600090-01 Soldering Tip (Pencil)
 SK-600090-02 Soldering Tip (Chisel)
 U2789 Schumacher Hex Driver - 1.5mm
 U2790 Schumacher Hex Driver - 2.0mm
 U2791 Schumacher Hex Driver - 2.5mm
 U2795 Schumacher M3 Nut Driver
 U2818 Schumacher Body Reamer
 U3107 SPEED PACK - Solder 2m
 U4229 Steel Spanner - 5.5mm/3.9mm
 U7215 F/G UJ Spanner - CAT XLS

PINIONS

U2309 20T Steel Pinion - 48 D.P.
 U2310 21T Steel Pinion - 48 D.P.
 U2311 22T Steel Pinion - 48 D.P.
 U2312 23T Steel Pinion - 48 D.P.
 U2313 24T Steel Pinion - 48 D.P.
 U2314 25T Steel Pinion - 48 D.P.
 U2315 26T Steel Pinion - 48 D.P.
 U2316 27T Steel Pinion - 48 D.P.
 U2317 28T Steel Pinion - 48 D.P.
 U2318 29T Steel Pinion - 48 D.P.
 U3420 Pinion; Hard Alloy 48dp - 20T
 U3421 Pinion; Hard Alloy 48dp - 21T
 U3422 Pinion; Hard Alloy 48dp - 22T
 U3423 Pinion; Hard Alloy 48dp - 23T
 U3424 Pinion; Hard Alloy 48dp - 24T
 U3425 Pinion; Hard Alloy 48dp - 25T
 U3426 Pinion; Hard Alloy 48dp - 26T
 U3427 Pinion; Hard Alloy 48dp - 27T
 U3428 Pinion; Hard Alloy 48dp - 28T
 U3429 Pinion; Hard Alloy 48dp - 29T
 U3430 Pinion; Hard Alloy 48dp - 30T
 U3431 Pinion; Hard Alloy 48dp - 31T
 U3432 Pinion; Hard Alloy 48dp - 32T
 U3433 Pinion; Hard Alloy 48dp - 33T
 U3434 Pinion; Hard Alloy 48dp - 34T
 U3435 Pinion; Hard Alloy 48dp - 35T

TEAM MERCHANDISE

CR298 CORE RC Hauler Bag
 ED199206 EDS Pit Towel 110 x 70cm
 G315 Schumacher Pit Towel
 G338 2 Tone Beanie Knitted Hat
 G339L Jacket - 3 Layer Softshell; Black - L 44inch
 G339M Jacket - 3 Layer Softshell; Black - M 41inch
 G339S Jacket - 3 Layer Softshell; Black - S - 38inch

TEAM MERCHANDISE Cont...

G339XL Jacket - 3 Layer Softshell; Black - XL 46inch
 G339XS Jacket - 3 Layer Softshell; Black - XS - 34inch
 G339XXL Jacket - 3 Layer Softshell; Black - XXL 48inch
 G339XXXL Jacket - 3 Layer Softshell; Black - XXXL 50inch
 G340 Schumacher Baseball Cap - Black
 G342L T - Navy - Large 100% cotton knit mens
 G342M T - Navy - Medium 100% cotton knit mens
 G342S T - Navy - Small 100% cotton knit mens
 G342XL T - Navy - X-Large 100% cotton knit mens
 G342XXL T - Navy - XX-Large 100% cotton knit mens
 G342XXXL T - Navy - XXX-Large 100% cotton knit mens
 G342XXXXL T - Navy - XXXX-Large 100% cotton knit mens
 G342XXXXXL T - Navy - XXXXX-Large 100% cotton knit mens
 G343L Sweat-Navy-Large 80% cotton,20% polyester knit men
 G343M Sweat-Navy-Med, 80% cotton,20% polyester knit men
 G343S Sweat-Navy-Small,80% cotton,20% polyester knit men
 G343XL Sweat-Navy-XL, 80% cotton,20% polyester knit men
 G344L Polo - Navy - Large, 100% cotton knit mens
 G344M Polo - Navy - Med, 100% cotton knit mens
 G344S Polo - Navy - Small, 100% cotton knit mens
 G344XL Polo - Navy - X-Large, 100% cotton knit mens
 G344XXL Polo - Navy - XX-Large, 100% cotton knit mens
 G344XXXL Polo - Navy - XXX-Large, 100% cotton knit mens
 G344XXXXL Polo - Navy - XXXX-Large, 100% cotton knit mens
 G344XXXXXL Polo - Navy - XXXXX-Large, 100% cotton knit mens
 G345L Schumacher Retro Tee - Large
 G345M Schumacher Retro Tee - Medium
 G345S Schumacher Retro Tee - Small
 G345XL Schumacher Retro Tee - X-Large
 G345XXL Schumacher Retro Tee - XX-Large
 G345XXXL Schumacher Retro Tee- XXX-Large
 G345XXXXL Schumacher Retro Tee- XXXX-Large
 G355 Schumacher Hauler Bag

ELECTRONICS

CR162 CORE RC Sensor Checking Widget
 CR195 Portable Emergency 60W Soldering Iron
 CR249 Futaba Servo Wires Black
 CR250 JR Servo Wires Black

SERVOS

CR495 CORE RC - 9009LP Low Profile Servo 8Kg .09 Sec
 CR496 CORE RC - 9008TG Digital Servo 9Kg .08 Sec
 CR497 CORE RC - 1012TG Digital Servo 10Kg .12 Sec
 HSDR420 Servo (Speed) 1/10 .07s 6.2kg
 HSDS1000 Servo (Speed) - 1/10 .08s 10.2kg
 HSDS400 Servo (Speed) 1/10 .09s 7.2kg
 HSDS700 Servo (Speed) 1/10 .08s 9.9kg
 HSDT450 Servo (Torque) 1/10 .11s 7.9kg
 HSDT750 Servo (Torque) 1/10 HV .12s 13.8kg
 KO30049Servo - PDS-2501ICS - .12 - 7.4Kg
 KO30050Servo - PDS-2502ICS - .15 - 8.3Kg
 KO30051Servo - PDS-2511ICS - .13 - 9.6Kg
 KO30052Servo - PDS-2512ICS - .16 - 10.8Kg
 KO30059Servo - PDS-2531ICS Yellow - .13 - 9.5Kg
 KO30106Servo - RSx2 Response HC - .07 - 14.5Kg
 KO30120RSx-One 10 Type-S
 KO30123 RSx3-Response Servo
 KO30125 RSx3 One 10 Response Servo - Low profile
 KO30201Servo - BSx2 Response HC - .09 - 15.4Kg
 KO30207Servo - BSx2-one 10 Grasper
 SA107A53471A SDX-801 Low Profile Digital Servo
 SA107A54061A ERS-971 Low Profile HS Digital WP Servo
 SA107A54071A ERS-961 High Speed Ti Gear WP Servo
 SA107A54081A ERS-962 Hi Torque St Gear WP Servo
 SA107A54371A SRG-LS Servo
 SA107A54381A SRG-BX Servo
 SA107A54383A SRG-BS Servo
 SA107A54385A SRG-BX - Type R - Servo
 SA107A54401A Low Profile Servo - HVS-702

TRANSMITTERS AND RECEIVERS

CR151 CODE 2.4G FHSS LCD 2 Stick TxRx
 CR152 CODE 2.4G FHSS LCD - Rx Only
 CR153 CODE 2.4G FHSS Sport 2 Stick TxRx
 CR154 CODE 2.4G FHSS Sport - Rx Only
 CR155 Antenna 2.4G
 CR277 CODE 2.4G FHSS Steerwheel Radio TxRx
 CR278 CODE 2.4G FHSS - Rx Only
 CR498 Battery Holder - Code Stick Transmitter
 KO21007KR-413FH Micro Receiver
 KO80540EX-1 Ver 3 (KIY) KR-413FH Set - TX + RX
 KO80576EX-RR w/KR-415FHD
 KO80700Esprit IV - Stick Radio Combo
 SA101A30885A MX-V Radio Set
 SA101A31671A M12S Radio Set
 SA101A31691A M12S Radio Set - Ltd Ed-Piano Black
 SA101A31971A MT-S Radio Set
 SA101A32071A EXZES ZZ Radio Set
 SA101A32075A EXZES ZZ Radio Set-Ltd Ed-Piano Black
 SA101A32171A MT-44 Radio Set - w/RX-482
 SA107A40843A RX-371FS FHSS-2 Receiver
 SA107A40973A RX-451R Receiver
 SA107A41044A RX-461 Receiver for MT-4
 SA107A41074A RX-380 FHSS-3 Receiver
 SA107A41111A RX-471 Receiver
 SA107A41117A RX-472 Telemetry/SSL Receiver
 SA107A41131A RX-471WP FH4 Waterproof Receiver
 SA107A41144A RX-371WP FHSS-2 Waterproof Receiver
 SA107A41151A RX-471 Dual ID Receiver
 SA107A41251A RX-481 Receiver
 SA107A41257A RX-482 Telemetry/SSL Receiver

BRUSHLESS SPEEDCONTROLS

CR199 PACE 60R Brushless ESC 1S/2S
 HW30112600 XERUN-XR10-Pro-V4-Black
 HW30112601 XERUN-XR10-Pro-V4-Orange
 HW30112602 XERUN-XR10-Pro-V4-Red
 HW81010190 EZRUN-60A-SL-BL-ESC-1/10th Car & Truck
 HW81010390 EZRUN-WP-80A-SL-BL-ESC-1/10th-Waterproof
 HW81020170 XERUN-V2.1-BL-ESC-120A-Blue
 HW81020340 XERUN-V3.1-BL-ESC-120A-Blue
 HW81020350 XERUN-V3.1-BL-ESC-120A-Black
 NR900003 Nosram HD Offroad Speed Control
 SA107A54393A Super Vortex Stock ESC - SVZ Stock
 SA107A54413A Super Vortex Generation 2 ESC - SVZ G2
 SK-300044-01 Toro TS 120A ESC
 SK-300062-02 Toro TS 120A Alloy ESC - Black
 SK-300064-01 Toro TS 160 ESC
 SP000739 Reventon Pro ESC-2S - V1.1 Black
 SP000740 Reventon Pro ESC-2S - V1.1 - Laser Blue

BRUSHLESS MOTORS

FAN19473S Fantom Motor 17.5 FR-1 - V2R
 FAN19474S Fantom Motor 17.5 FR-1 - V2T
 FAN19475S Fantom Motor 21.5 FR-1 - V2
 HW30401108 XERUN-V10-17.5T-1/10-Sensored-BL-Motor-Black-G2
 HW30401109 XERUN-V10-21.5T-1/10-Sensored-BL-Motor-Black-G2
 HW30404110003 QUICRUN-3650-17.5T-Sensored-1/10-BL-Motor
 HW30404110004 QUICRUN-3650-21.5T-Sensored-1/10-BL-Motor
 HW30404306 QUICRUN-3650 G2 Motor - 17.5T
 HW30404307 QUICRUN-3650 G2 Motor - 21.5T
 HW30404308 QUICRUN-3650 G2 Motor - 25.5T
 HW30408002 Juststock-1/10-Sensored-BL-Motor-17.5T
 HW30408003 Juststock-1/10-Sensored-BL-Motor-21.5T
 HW30408006 XERUN Justock G2 Motor - 17.5T Fixed Timing
 HW30408007 XERUN Justock G2 Motor - 21.5T Fixed Timing
 HW30408008 XERUN Justock G2 Motor - 25.5T
 HW90040140 XERUN-1/10-Sensored BL Motor 17.5T
 NR91854 Nosram Pure 2 BL Spec Racing Motor - 17.5T
 SK-400003-31 ARES Pro BL Motor 17.5T Spec
 SK-400003-32 ARES Pro BL Motor 21.5T Spec
 SP138175V3 Speed Passion V3.0 Comp BL Motor; 17.5T
 SP138215V3 Speed Passion V3.0 Comp BL Motor; 21.5T
 TPM-540A215 Thunder Power 21.5T Stock Spec 540 BL Motor

BRUSHLESS ACCESSORIES

CR133 Core Sensor Lead; 80mm
 CR134 Core Sensor Lead; 180mm
 CR253 110mm Flat Bonded Flex Sensor Wire
 CR254 150mm Flat Bonded Flex Sensor Wire
 CR255 200mm Flat Bonded Flex Sensor Wire
 CR256 270mm Flat Bonded Flex Sensor Wire
 HW2361200 XERUN-Sensor Cable-120mm
 HW2362000 XERUN-Sensor Cable-200mm
 HW30502000014 XERUN-EZRUN-Multifunction-LCD-Program Box
 HW30503000 WiFi-Express Module
 HW86020010 XERUN-EZRUN-Program Card for ESC
 NR925315 NOSRAM Sensor Wire HighFlex 150mm
 NR925320 NOSRAM Sensor Wire HighFlex 200mm
 SK-300046-01 Program Box
 SP162801 SP - Sensor Cable 180mm
 SP162802 SP - Sensor Cable 90mm

BRUSHLESS ESC and MOTOR COMBO

HW38020210 XERUN-1/10-Combo-V3I-17.5T Motor
 HW38020212 XERUN-1/10-Combo-V3J-21.5T Motor
 HW38020402 XERUN-Combo-XR10-JS5-17.5T-Black
 HW38020403 XERUN-Combo-XR10-JS6-21.5T-Black
 SK-300058-04 Cheetah 1/10 60A Sensored Combo 17.5T
 SP000202 Reventon Stock Club Race 17.5 Combo Comp V3 Motor
 SP000203 Reventon Stock Club Race 21.5 Combo Comp V3 Motor
 SP000209 Reventon Stk Clb Rce 17.5 Combo V3 Fix Trngng Motor
 SP001040 Reventon Pro V1.1 ESC Comp V3.0-17.5R Combo
 SP001041 Reventon Pro V1.1 ESC Comp V3.0-21.5R Combo

CHARGERS AND DISCHARGERS

CR031 UDC Charger Connector Set - 8pcs
 CR114 UDC Balance Adaptor Set JST-XH to JST-EH 2-6S
 CR161 UAC50 Charger 12v/110-240v 6A
 NR91400 Sigma Power Charger
 NR91555 Stealth Touch Evolution Charger
 NR93160 Nosram Power Supply 13.8V / 20A
 NR95815 Nosram Universal Charging Lead-Tamiya/JST Plug
 NR95816 Nosram Universal Chg Lead-2S Lipo H/Case/Bal Adpt
 NR95817 Nosram Universal Chg Lead- US-Style Plug
 SK-100013 SKY RC - Quattro B6 Charger 50Wx4 AC/DC
 SK-100064 T6755 Charger 7A 55W AC/DC Touch Screen
 SK-100068-01 SKY RC 6 x 80+ Charger Blue Version
 SK-100084 Imax B6 Mini Charger 6A 60W DC
 SK-100089 D100 Dual Charger 100W AC or 2x100w DC - 10A
 SK-100097 D200 AC/DC Dual Charger 200W 20A + soldering iron
 SK-100104 Q200 Quattro Charger
 SK-100106 S60 AC Charger 60W 6A
 SK-100122 e450 Charger 50W - 4A -AC
 SK-100123 D400 Charger
 SK-200008 SKY RC 15V - 4A AC Adapter
 SK-200013-01 eFuel 30A 540W Power Supply
 SK-200015 eFuel 50A 1200W Power Supply
 SK-200017-01 SKY RC 17A Power Supply (UK Plug)

BATTERIES

AM199502 Lipo Safe Bag (185 x 75 x 60mm)
 CR007 CORE RC Silicone Wire 12g - Red/Black 2x50cm
 CR008 CORE RC RED Connector with 2x4mm Tubes
 CR009 CORE RC RED Connector with 2x4mm Males
 CR050 CORE RC Silicone Wire 12AWG - Red 1 Metre
 CR051 CORE RC Silicone Wire 12AWG - Black 1 Metre
 CR052 CORE RC Silicone Wire 12AWG - Blue 1 Metre
 CR055 CORE RC Silicone Wire 12AWG - Blue 50 Metre Reel
 CR115 CORE RC Silicone Wire 12g - Red/Black/Blue 3x50cm
 CR124 Heatshrink 6.0mm dia Black - 20pcs
 CR125 Heatshrink 6.0mm dia Red - 20pcs
 CR170 CORE RC Lipo Locker - 17 x 8 x 7cm
 CR287 Silicone Wire Black 14 AWG - 1Mtr

BATTERIES Cont....

CR288 Silicone Wire Black 16 AWG - 1Mtr
 CR293 CORE RC-4000mAhR 7.4v 30/60C 2S LiPo
 CR294 CORE RC-4000mAhR 7.4V 30/60C 2S Shorty Lipo
 EP1500SEP Stick Pack - SC1500mAh - 7.2V NiMH
 EP2000SEP Stick Pack - SC2000mAh - 7.2V NiMH
 EP3000SEP Stick Pack - SC3000mAh - 7.2V NiMH
 EP4000SEP Stick Pack - SC4000mAh - 7.2V NiMH
 EP5000SEP Stick Pack - SC5000mAh - 7.2V NiMH
 G719 GP Alkaline AA Pencil; Card 8 + 4
 H1046 T Connector; Red 2 Way - Male and Female
 H1047 T Connector; Black 2 Way - Male and Female
 H1048 T Connector; Red Sockets - pk4
 H1049 T Connector; Black Sockets - pk4
 IPBG2S4000V4 Intellect-Lipo 4000mAh 40C 2S Shorty
 IPBG2S4200HVR LiHV Battery Shorty 4200mAh-50C-7.6V 5mm
 IPBG2S5000HV2 LiHV Shorty Battery 5000mAh-120C-7.6V 5mm
 IPBG2S5000SV1 Intellect-Lipo 5000mAh 100C 2S Shorty SHV
 IPBG2S6000HV2 LiHV Shorty Battery 6000mAh-120C-7.6V 5mm
 MR-SB MR33 Lipo Bag
 NR999529 Lipo 4500 1/10 X-treme Shorty P5 - 7.4V
 NR999530 Lipo 4500 1/10 X-treme-Shorty Stk Spec P5-7.4V
 NR999531 Lipo 3000 1/10 X-treme Shorty LCG P5-7.4V
 SK-500007-01 SKY RC Lipo Pal
 TPLSBS Thunder Power Lipo Charge Bag Small 7 x 8" x 5"

GENERAL ACCESSORIES

CR043 CORE RC - Silver X-Weights 16pcs
 CR058 CORE RC - Black X-Weights 16pcs
 CR197 CORE RC - Glass Setup Board
 CR297 CORE RC - Neoprene Bag
 CR548 CORE RC - Tool Bag
 CR549 CORE RC - Oil Bag
 G353 Schumacher Glass Setup Board
 G354 Schumacher - Neoprene Bag
 J003 Contact RC - Glass Setup Board
 J004 Contact RC - Neoprene Bag
 MR-CSOFFROAD MR33 Car Stand Off Road
 U4831 Aerial Tube Cap - Black - 6pk

1-10 BUGGY OFF ROAD TYRES

T650 Full Spike - Rear Tyres - Yellow CAT (pr)
 T652 Full Spike - Front Tyres - Yellow CAT (pr)
 T654 2WD Slim 2 Row Stud - Front - Yellow pr
 T692 Block - Rear Tyres - Blue - CAT (pr)
 T693 Block - Front Tyres - Blue - CAT (pr)
 U6515 Mini Spike 2; Front Tyres - Green - 2.2 (pr)
 U6516 Mini Spike 2; Rear Tyres - Green - 2.2 (pr)
 U6517 Mini Spike 2; Front Tyres - Blue - 2.2 (pr)
 U6518 Mini Spike 2; Rear Tyres - Blue - 2.2 (pr)
 U6549 Mini Spike 2; Blue - Slim (pr)
 U6550 Mini Spike 2; Green - Slim (pr)
 U6557 Mini Spike 2; Front Tyres - Yellow (pr)
 U6558 Mini Spike 2; Rear Tyres - Yellow (pr)
 U6581 Mini Spike 2; standard -Yellow - Slim (pr)
 U6592 Stagger Rib - Yellow - Slim
 U6595 Full Spike - Front Tyres- Yellow - 2.2 (pr)
 U6596 Full Spike - Rear Tyres- Yellow - 2.2 (pr)
 U6601 Mini Pin - Blue - Front - 2.2 (pr)
 U6607 Mini Pin - Yellow - Front - 2.2 (pr)
 U6608 Mini Pin - Yellow - Rear - 2.2 (pr)
 U6609 Mini Pin - Yellow - Slim (pr)
 U6759 Cut Stagger - Yellow - Slim (pr)
 U6761 Mini Spike 2; Silver - Slim (pr)
 U6762 Mini Spike 2; Front Tyres - Silver (pr)
 U6763 Mini Spike 2; Rear Tyres - Silver (pr)
 U6765 Cut Stagger Green - Slim (pr)
 U6770 Cut Stagger - Low Profile - Yellow (pr)
 U6771 Cut Stagger - Low Profile - Green (pr)
 U6775 Cut Stagger - Low Profile - Silver (pr)
 U6776 Cut Stagger - Low Profile - Blue (pr)
 U6777 Mini Pin - Silver - Front - 2.2 (pr)
 U6779 Mini Pin - Silver - Slim (pr)
 U6786 Block - Rear Tyres - Yellow - CAT pr
 U6787 Block - Front Tyres - Yellow - CAT pr
 U6797 Stud 2 Row Front - Yellow (pr)

1-10 BUGGY OFF ROAD TYRES Cont....

U6803 Mini Pin 2 Rear- 1/10 - Blue - (pr)
 U6804 Mini Pin 2 Rear - 1/10 - Yellow - (pr)
 U6805 Mini Pin 2 Rear - 1/10 - Silver - (pr)
 U6810 Wide Stagger Rib - 1/10 - Yellow (pr)
 U6811 Wide Stagger Rib - 1/10 - Silver (pr)
 U6817 Mini Pin 1 - Rear - 1/10 - Yellow-pr
 U6819 Mini Pin 1 - Rear - 1/10 - Blue - pr
 U6820 Mini Pin 1 - Rear - 1/10 - Silver - pr
 U6821 Mini Pin 2 - Front - 1/10 - Yellow pr
 U6824 Mini Dart 1/10 - Front - 2WD - Yellow (pr)
 U6825 Mini Dart 1/10 - Front - 4WD - Yellow (pr)
 U6826 Mini Dart 1/10 - Rear - Yellow (pr)
 U6827 Mini Dart 1/10 - Front - 2WD - Blue (pr)
 U6828 Mini Dart 1/10 - Front - 4WD - Blue (pr)
 U6829 Mini Dart 1/10 - Rear - Blue (pr)
 U6830 Mini Dart 1/10 - Front - 2WD - Silver (pr)
 U6831 Mini Dart 1/10 - Front - 4WD - Silver (pr)
 U6832 Mini Dart 1/10 - Rear - Silver (pr)

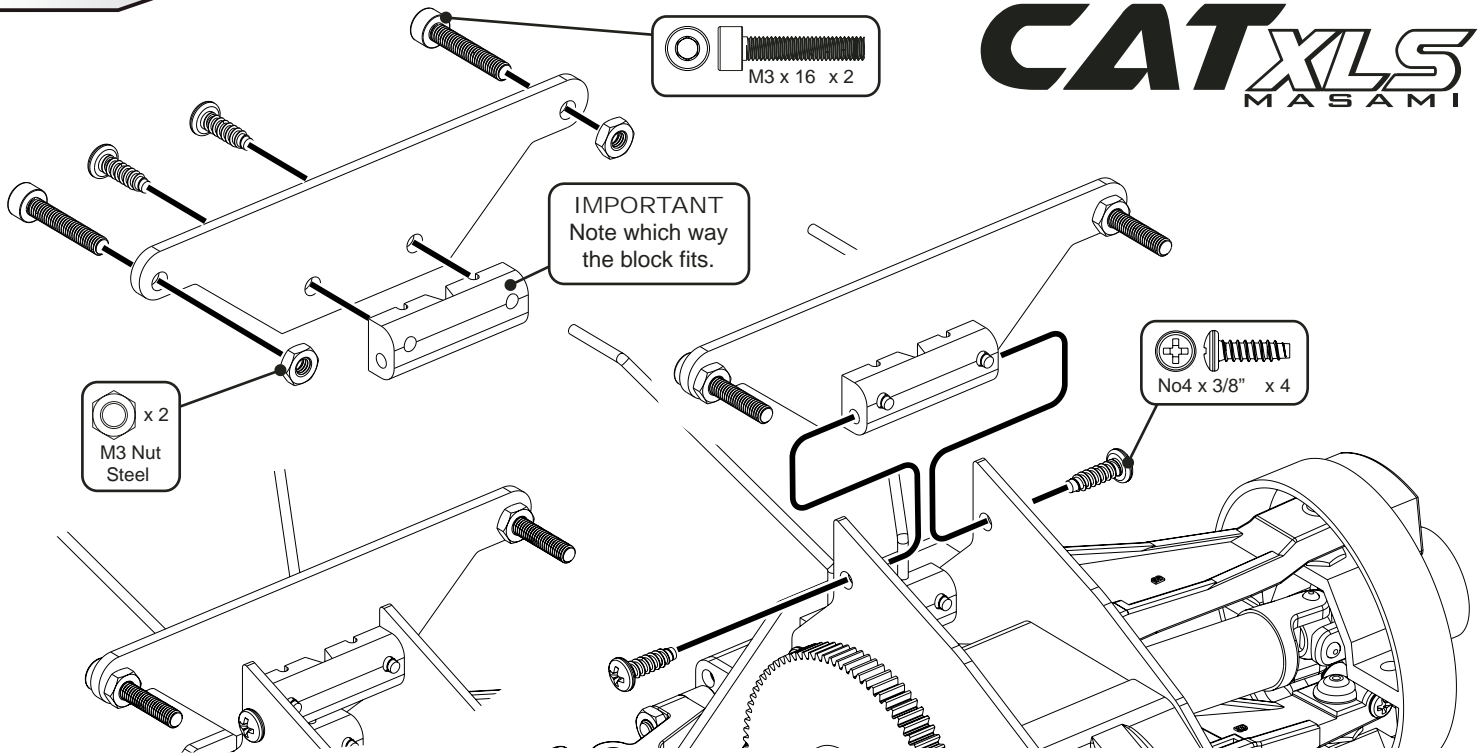
1-10 BUGGY WHEELS AND INSERTS

U6652 Foam Tyre Insert; Hard - Front - CAT (pr)
 U6653 Foam Tyre Insert; Hard - Rear - CAT (pr)
 U6667 Foam Tyre Insert; Hard - Slim 2WD (pr)
 U6668 Foam Tyre Inserts; Soft - Ultra Wide (pr)
 U6669 Foam Tyre Inserts; Hard - Ultra Wide (pr)
 U6733 Foam Tyre Insert; Med - Front - CAT (pr)
 U6734 Foam Tyre Insert; Med - Rear - CAT (pr)
 U6738 Foam Tyre Insert; Med - Slim 2WD (pr)
 U6746 Tubby Insert; Med Front - CAT (pr)
 U6747 Tubby Insert; Med Rear - CAT (pr)
 U7181 Rear Wheel Black (pr) - CAT XLS
 U7182 Front Wheel Black (pr) - CAT XLS
 U7246 Chrome Front Wheel (pr) - CAT XLS
 U7247 Chrome Rear Wheel (pr) - CAT XLS
 U7289 Rear Wheel White (pr) - CAT XLS
 U7290 Front Wheel White (pr) - CAT XLS

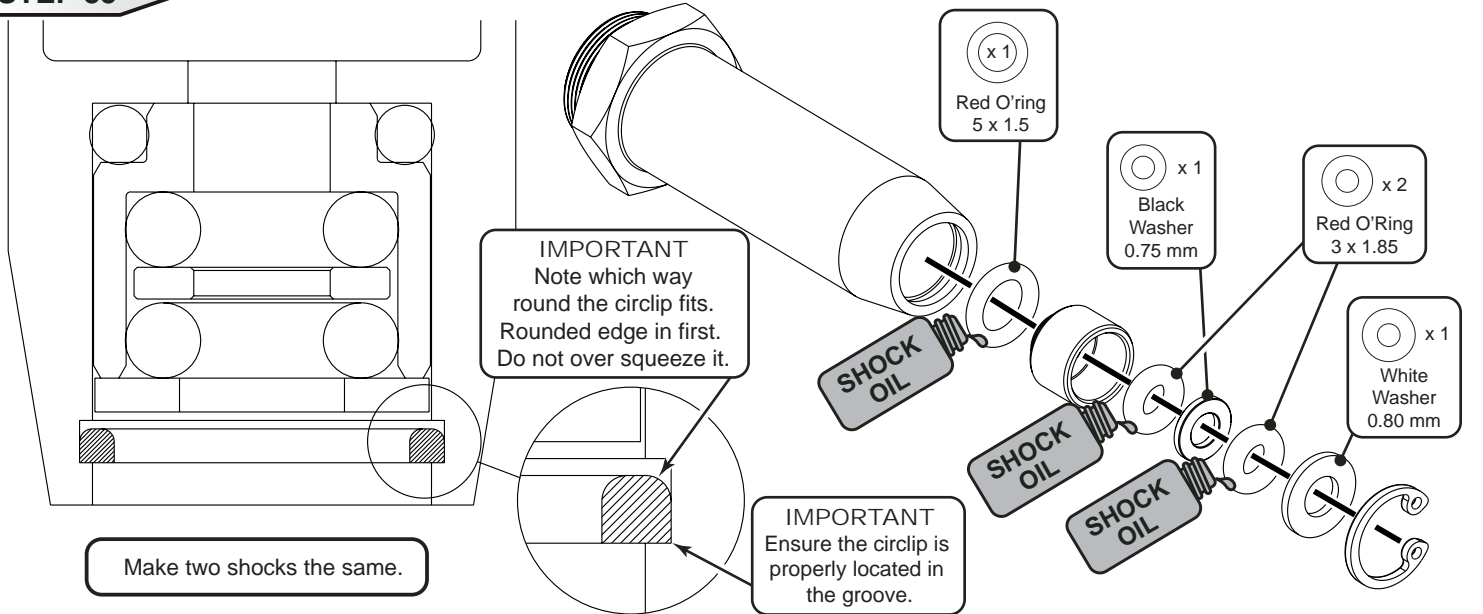
PAINT

CR600 Aerosol Paint - White Knight
 CR601 Aerosol Paint - Yellow Taxi
 CR602 Aerosol Paint - Fire Red
 CR603 Aerosol Paint - French Blue
 CR604 Aerosol Paint - Petrol Blue
 CR605 Aerosol Paint - Racing Green
 CR606 Aerosol Paint - Jet Black
 CR607 Aerosol Paint - Lime Green
 CR608 Aerosol Paint - Tangerine
 CR609 Aerosol Paint - Hot Pink
 CR610 Aerosol Paint - Berry Purple
 CR611 Aerosol Paint - Neon Yellow
 CR612 Aerosol Paint - Neon Orange
 CR613 Aerosol Paint - Neon Red
 CR614 Aerosol Paint - Neon Green
 CR615 Aerosol Paint - Neon Fire
 CR616 Aerosol Paint - Neon Carrot
 CR617 Aerosol Paint - Neon Pink
 CR618 Aerosol Paint - Neon Blue
 CR619 Aerosol Paint - Metallic Blue
 CR620 Aerosol Paint - Metallic Graphite
 CR621 Aerosol Paint - Metallic Silver
 CR622 Aerosol Paint - Metallic Purple
 CR623 Aerosol Paint - Metallic Green
 CR624 Aerosol Paint - Metallic Red
 CR625 Aerosol Paint - Metallic White
 CR626 Aerosol Paint - Clear Sparkle
 CR627 Aerosol Paint - True Chrome
 CR628 Aerosol Paint - Clear Backing
 CR629 Aerosol Paint - Window Tint
 CR631 Aerosol Paint - Spearmint

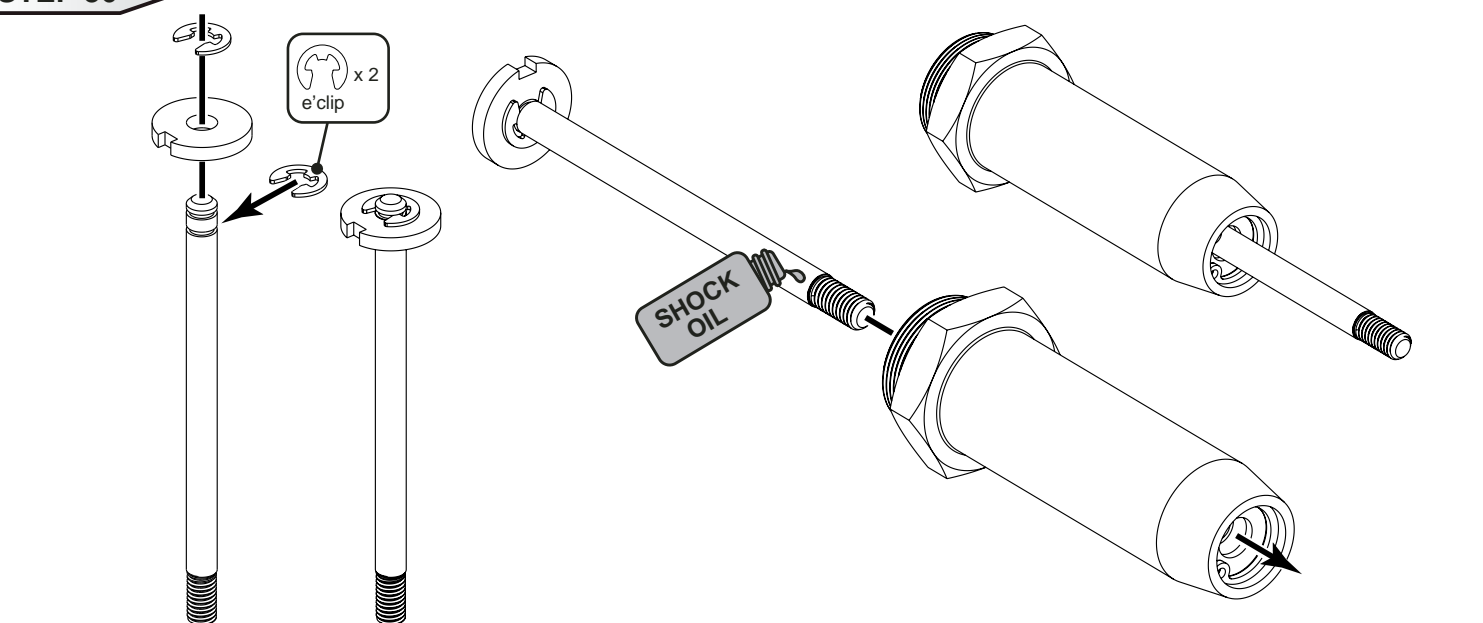
STEP 34

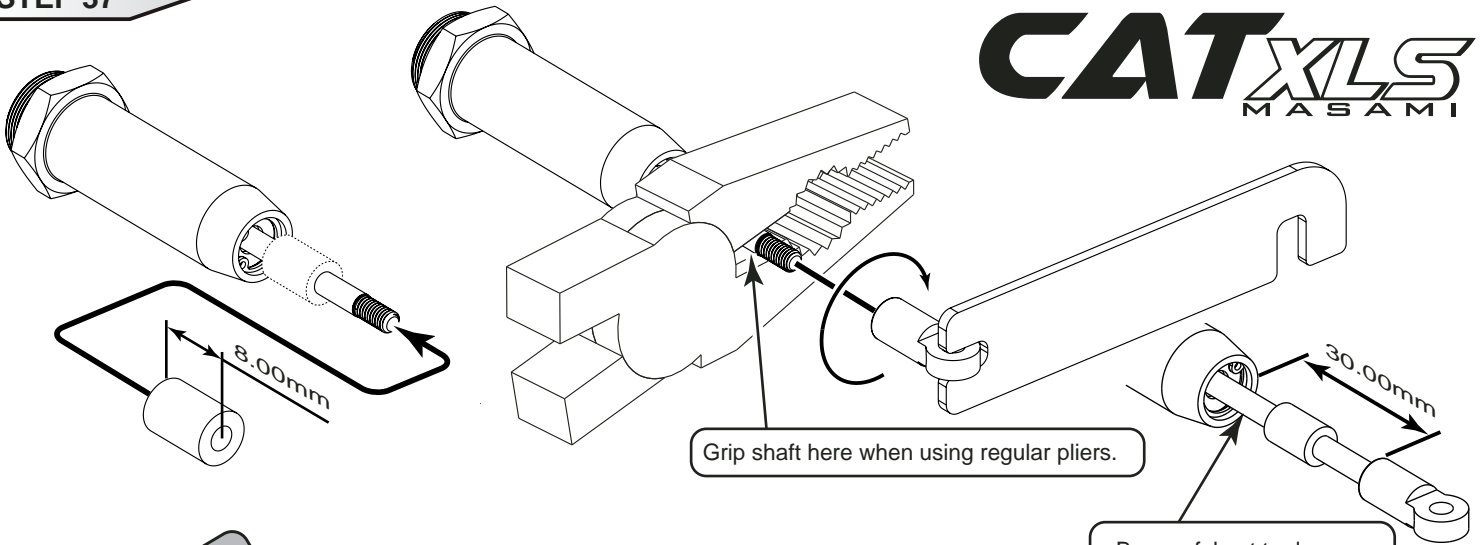


STEP 35

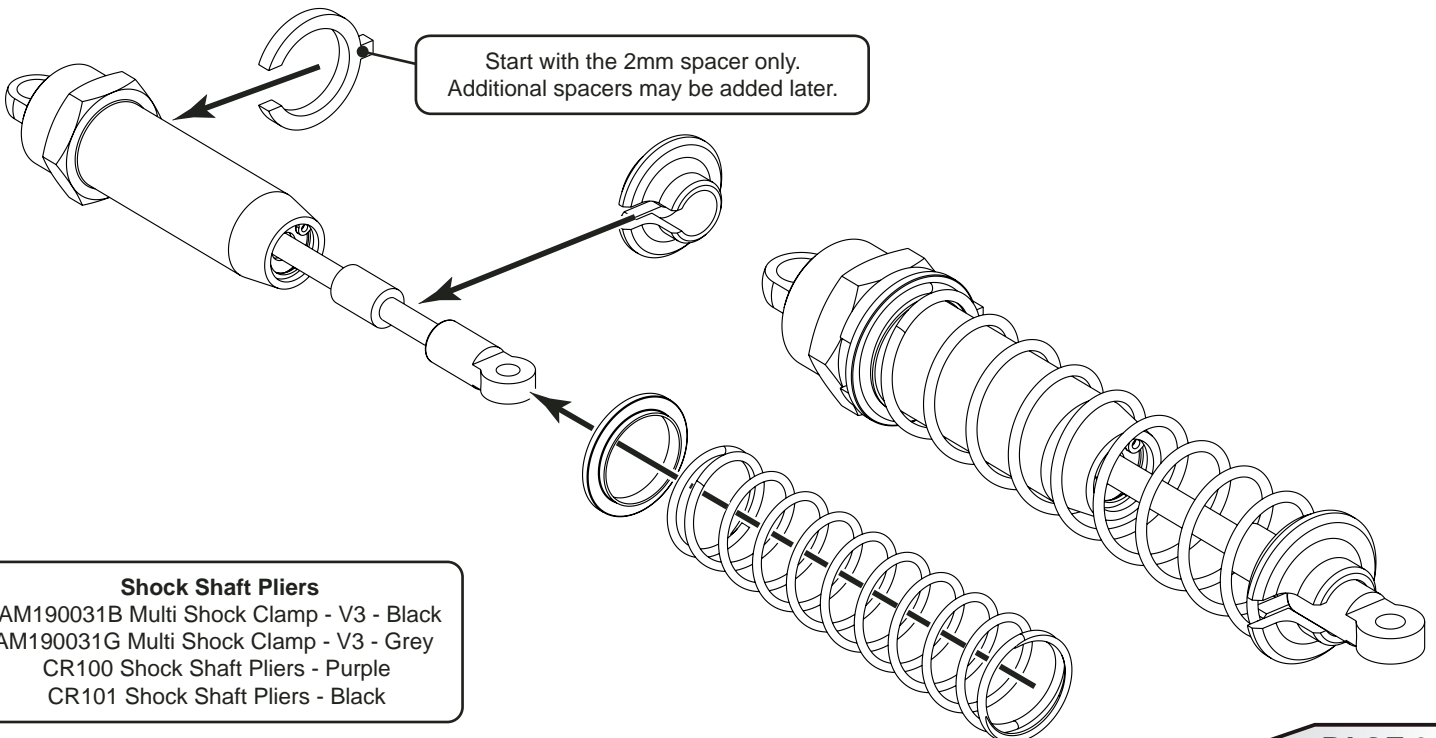
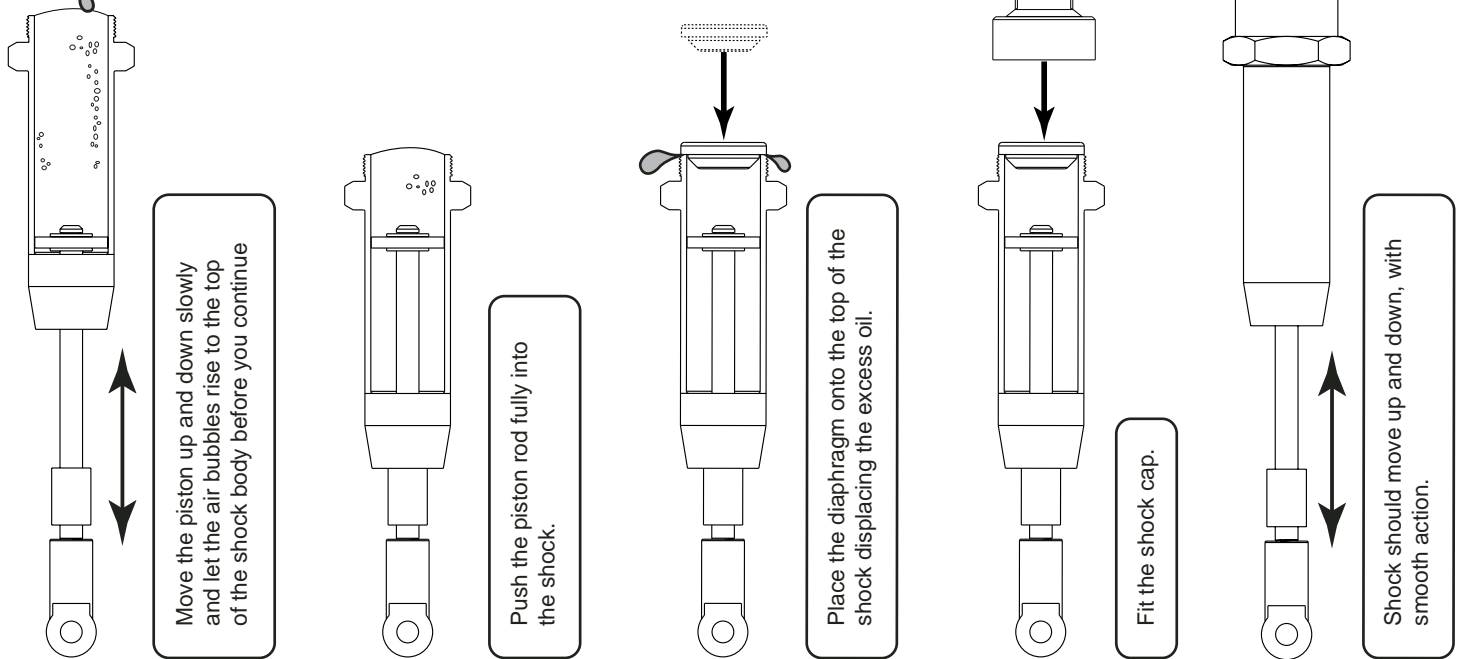


STEP 36





Be careful not to damage the polished shock rod.



- Shock Shaft Pliers**
 AM190031B Multi Shock Clamp - V3 - Black
 AM190031G Multi Shock Clamp - V3 - Grey
 CR100 Shock Shaft Pliers - Purple
 CR101 Shock Shaft Pliers - Black



STEP 38

Make two shocks the same.

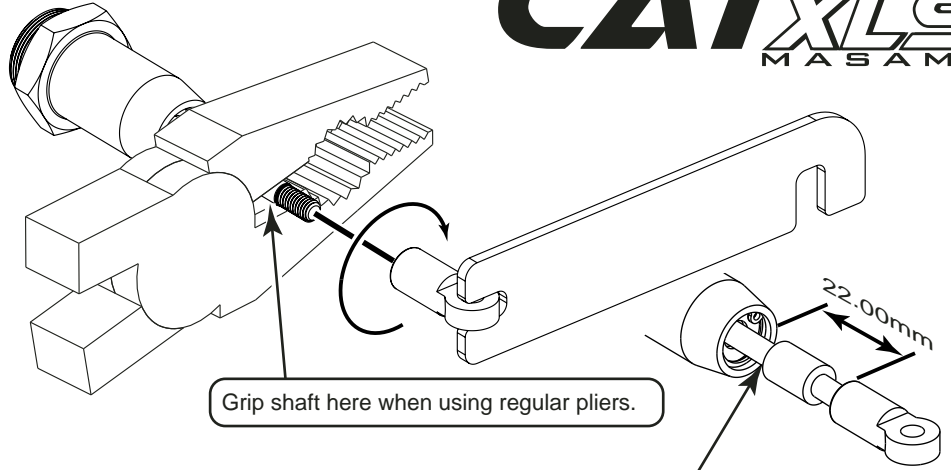
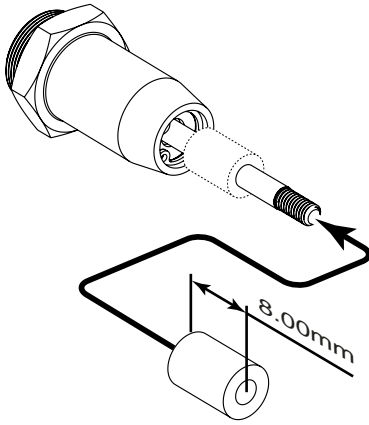
IMPORTANT Note which way round the circlip fits. Rounded edge in first. Do not over squeeze it.

IMPORTANT Ensure the circlip is properly located in the groove.

- x 1 Red O'ring 5 x 1.5
- x 1 Black Washer 0.75 mm
- x 2 Red O'Ring 3 x 1.85
- x 1 White Washer 0.80 mm

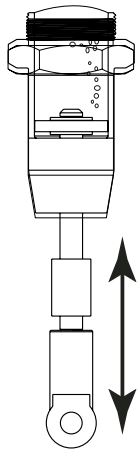
STEP 39

x 2 e'clip

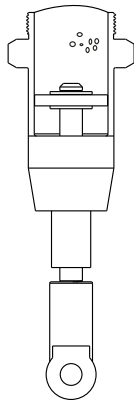


Grip shaft here when using regular pliers.

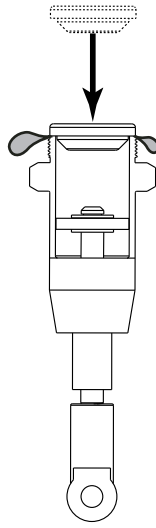
Be careful not to damage the polished shock rod.



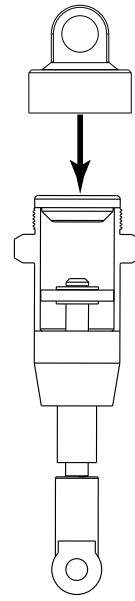
Move the piston up and down slowly and let the air bubbles rise to the top of the shock body before you continue.



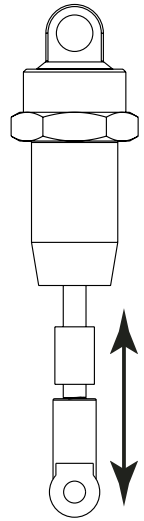
Push the piston rod fully into the shock.



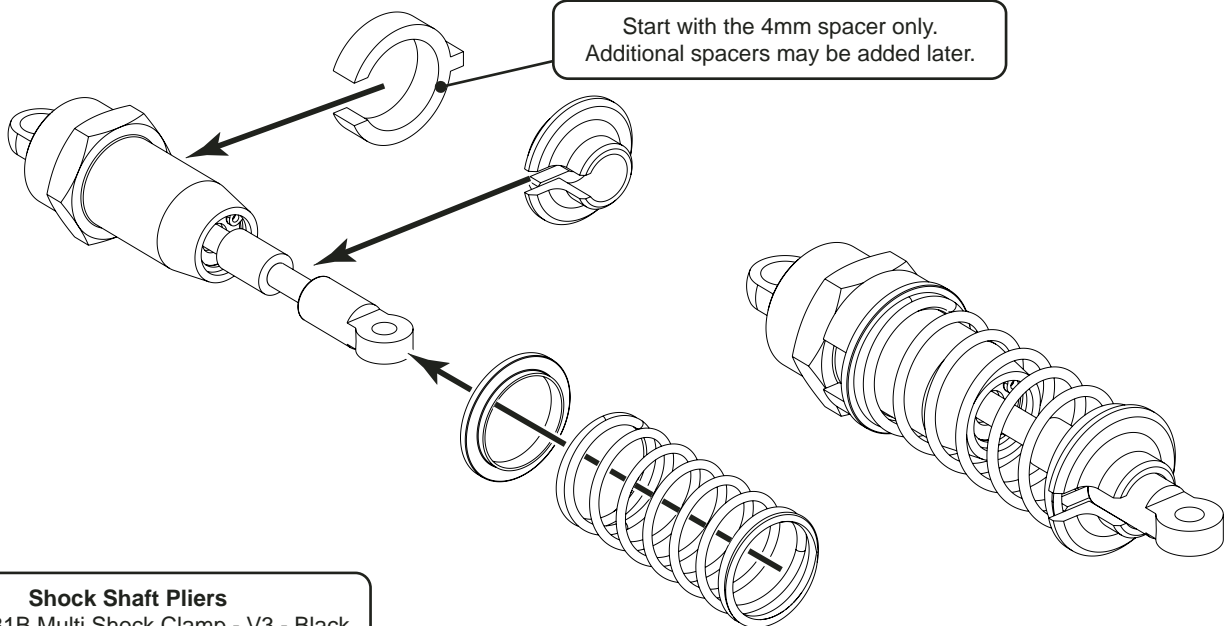
Place the diaphragm onto the top of the shock displacing the excess oil.



Fit the shock cap.

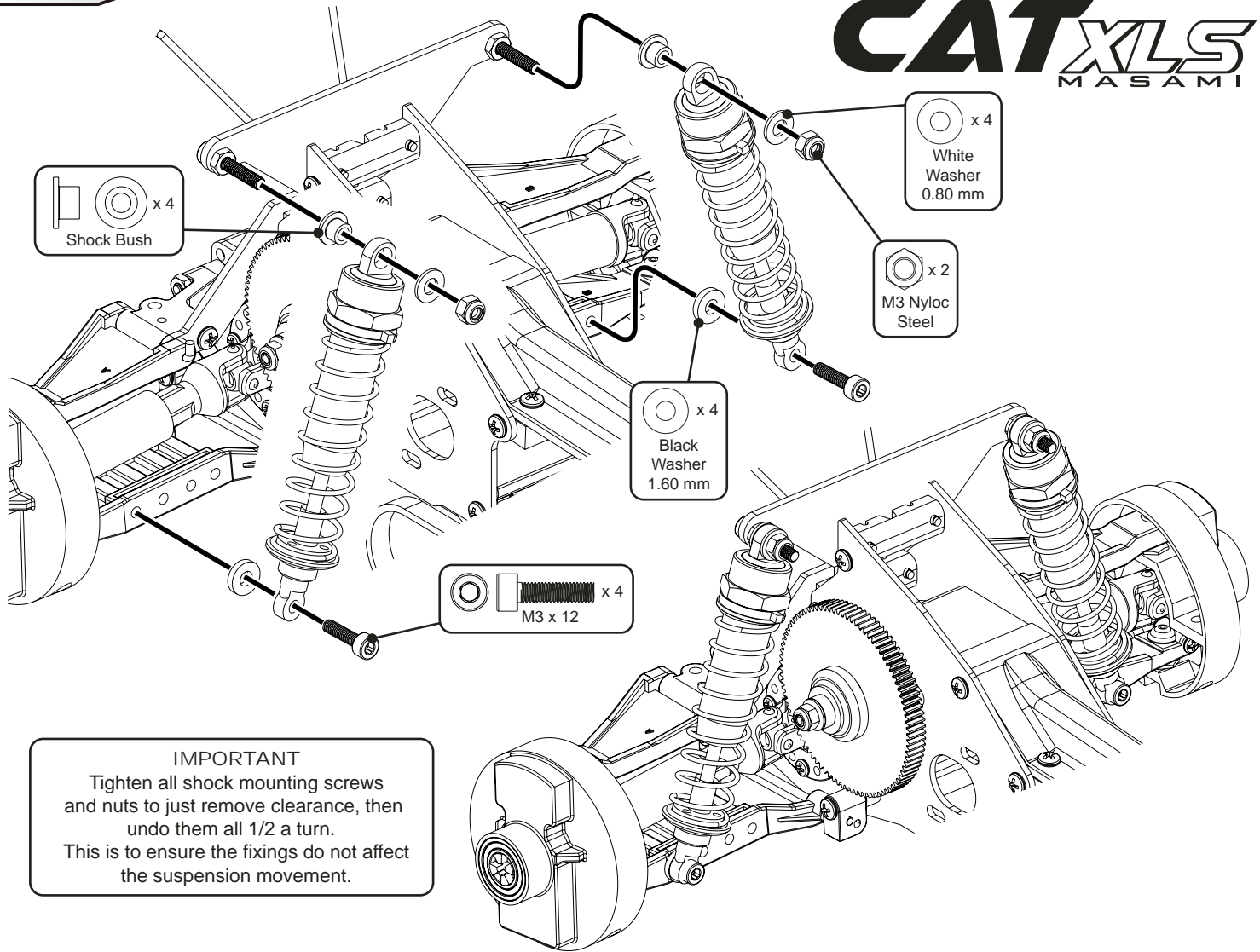


Shock should move up and down, with smooth action.

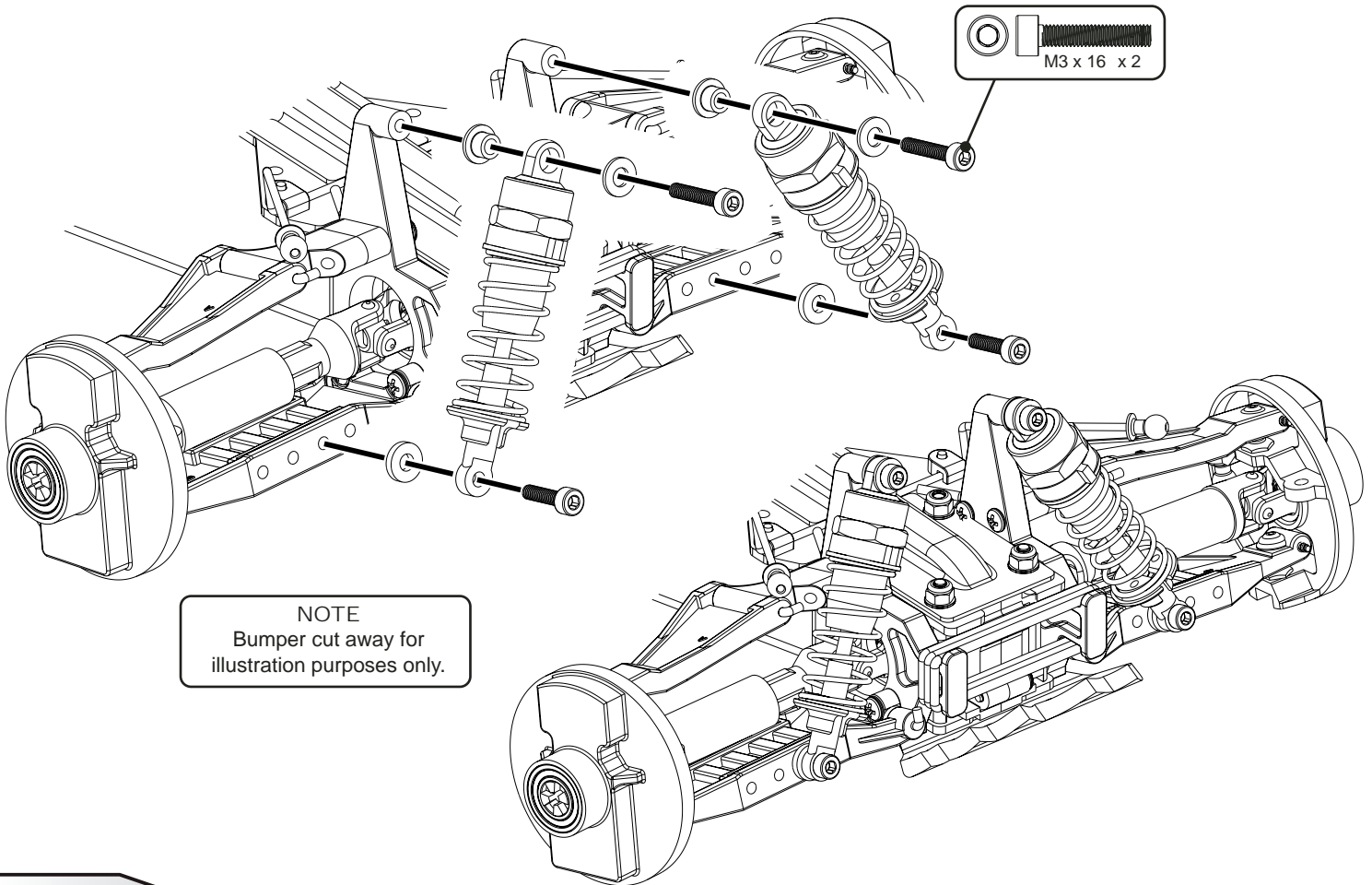


Start with the 4mm spacer only. Additional spacers may be added later.

- Shock Shaft Pliers**
 AM190031B Multi Shock Clamp - V3 - Black
 AM190031G Multi Shock Clamp - V3 - Grey
 CR100 Shock Shaft Pliers - Purple
 CR101 Shock Shaft Pliers - Black

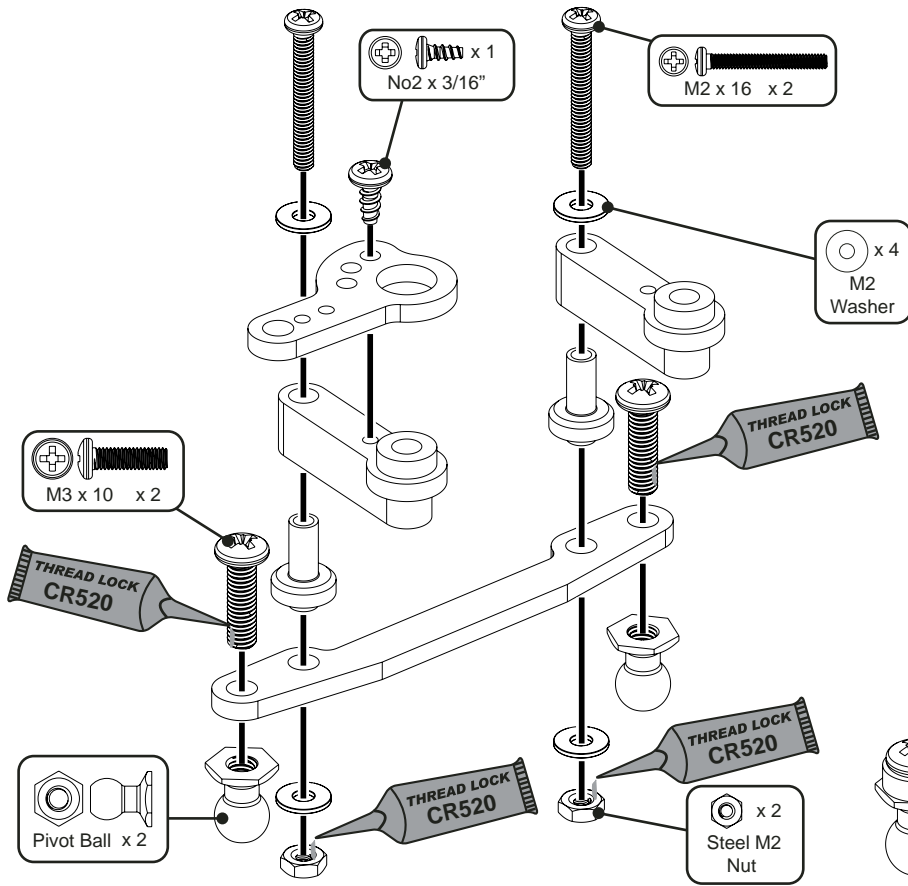


IMPORTANT
Tighten all shock mounting screws and nuts to just remove clearance, then undo them all 1/2 a turn. This is to ensure the fixings do not affect the suspension movement.

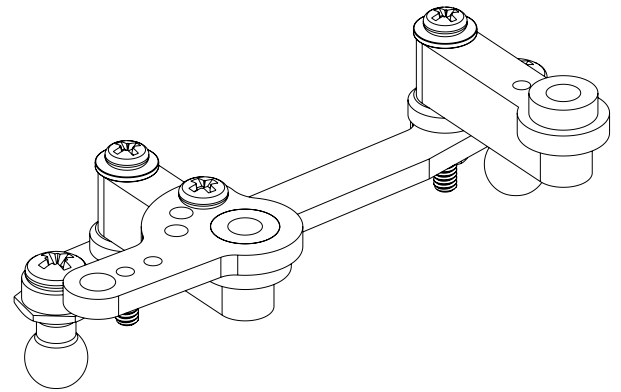


NOTE
Bumper cut away for illustration purposes only.

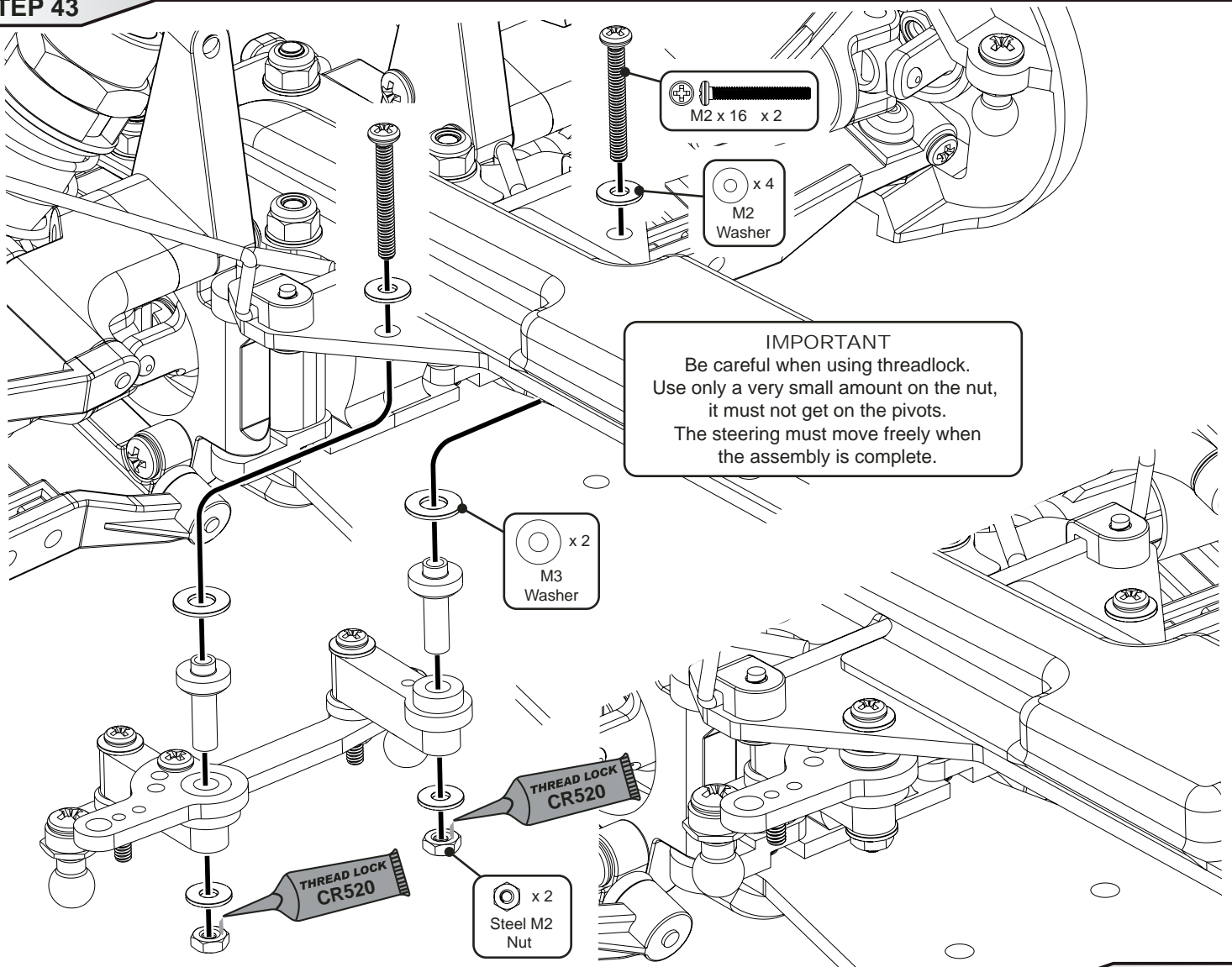
STEP 42



IMPORTANT
Be careful when using threadlock .
Use only a very small amount on the nut,
it must not get on the pivots.
The steering must move freely when
the assembly is complete.

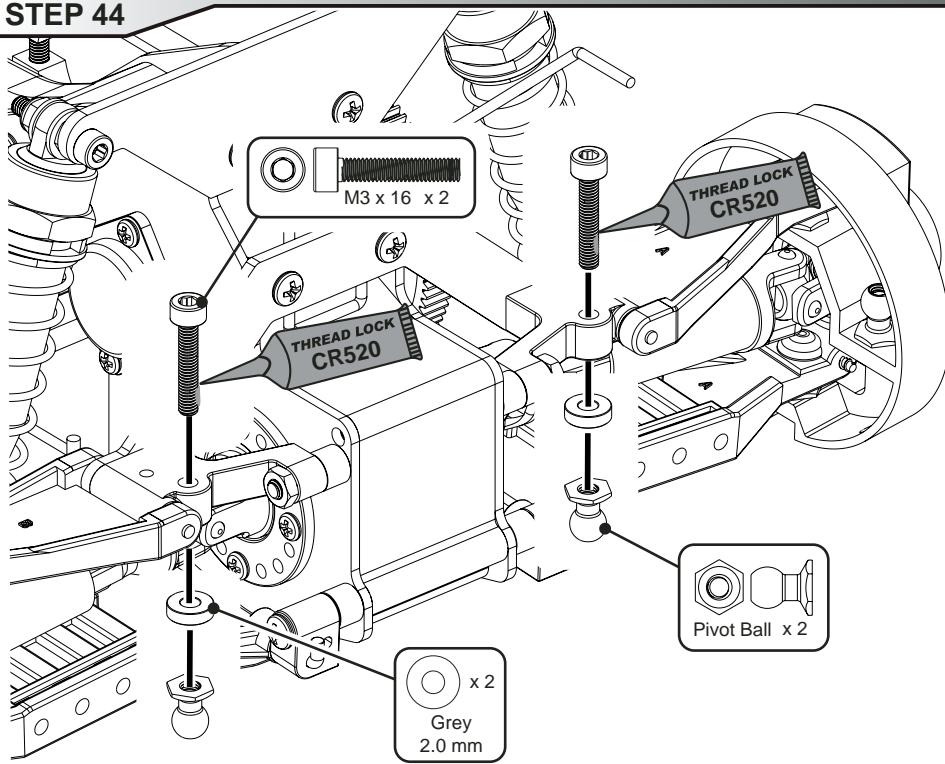


STEP 43

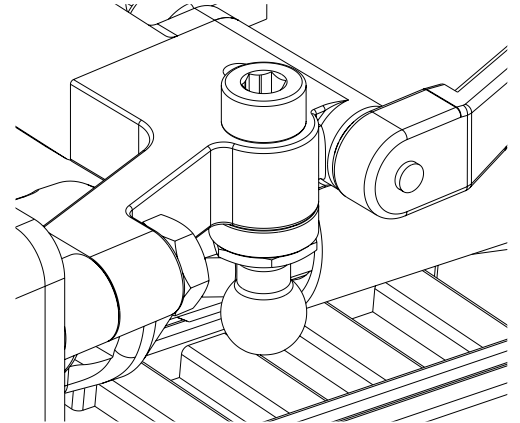


IMPORTANT
Be careful when using threadlock.
Use only a very small amount on the nut,
it must not get on the pivots.
The steering must move freely when
the assembly is complete.

STEP 44

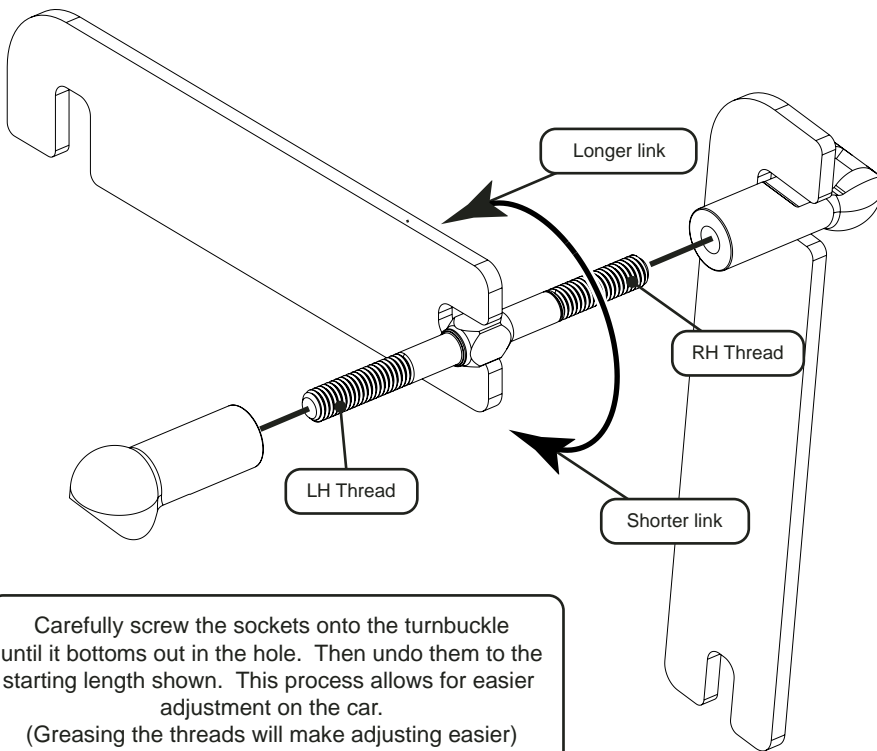


CATXLS
MASAMI

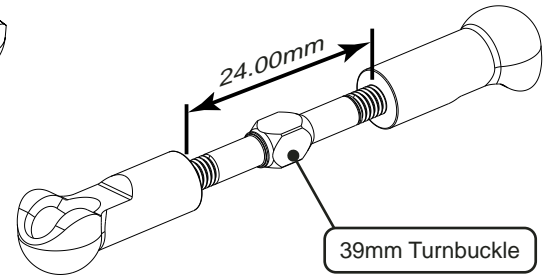


STEP 45

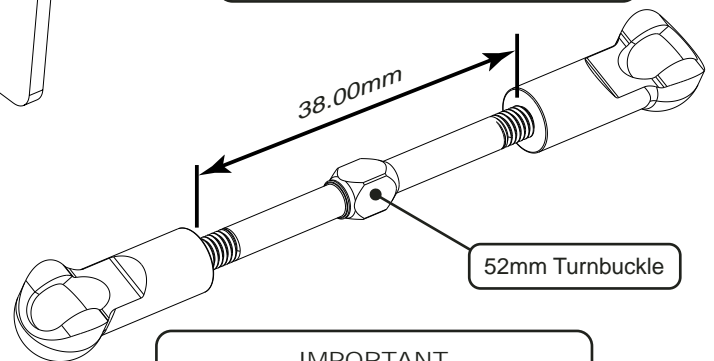
A



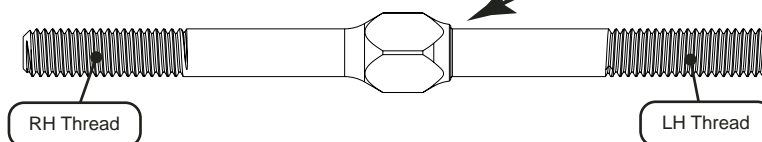
NOTE
Make two identical length **REAR TRACK RODS**. These will be adjusted after the car is fully assembled.



NOTE
Make two identical length **FRONT TRACK RODS**. These will be adjusted after the car is fully assembled.



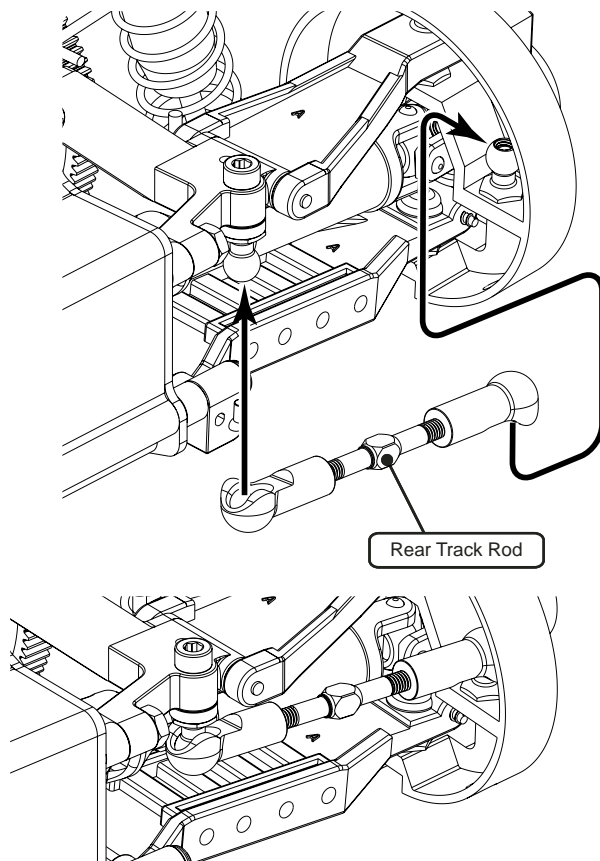
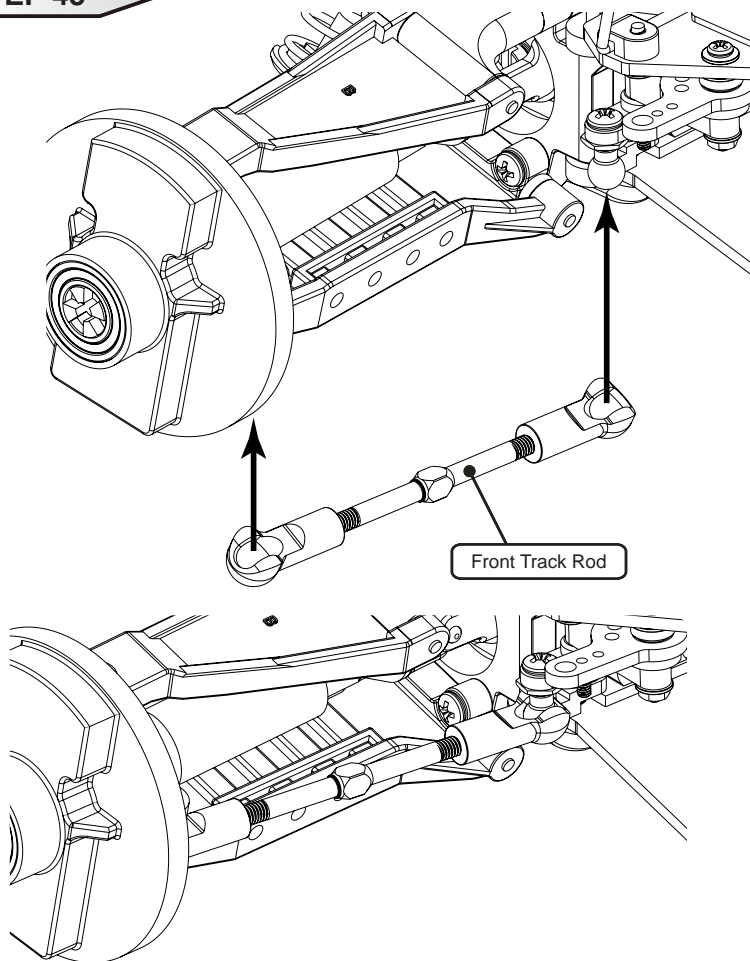
IMPORTANT
Note the shape of the turnbuckle, this side of the turnbuckle is the LH thread



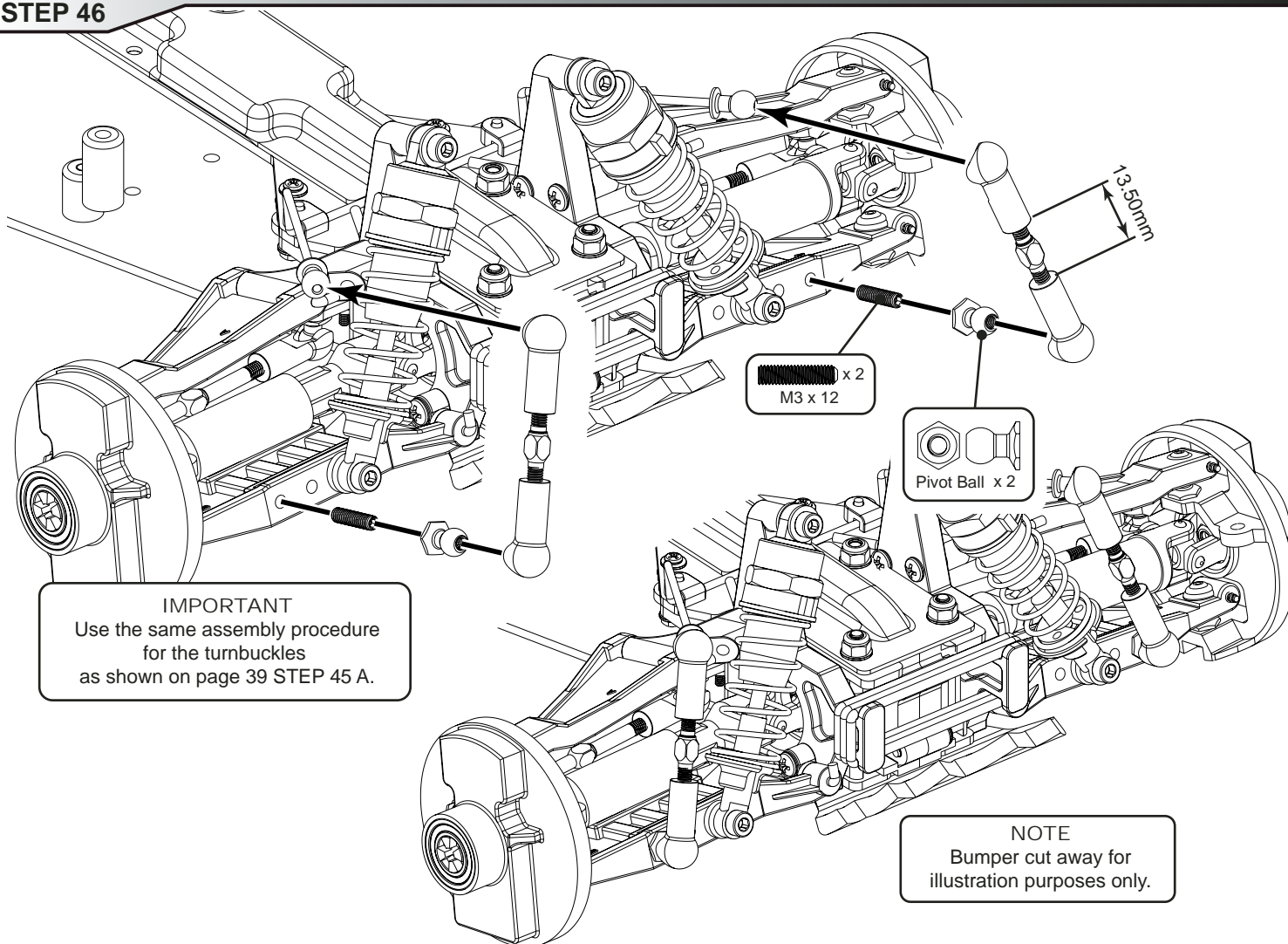
STEP 45

B

CAT*XLS*
MASAMI



STEP 46



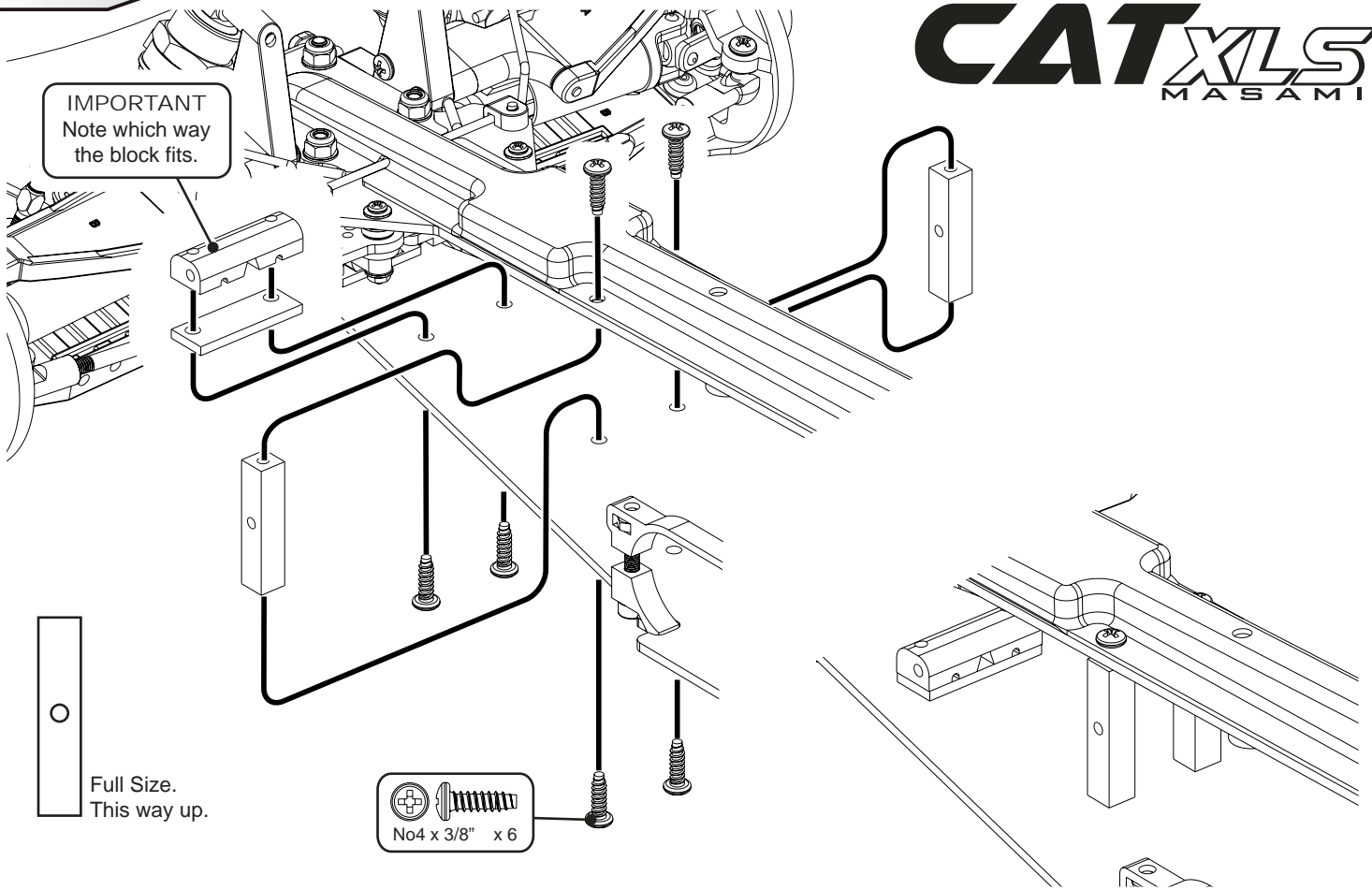
IMPORTANT
Use the same assembly procedure
for the turnbuckles
as shown on page 39 STEP 45 A.

NOTE
Bumper cut away for
illustration purposes only.

STEP 47

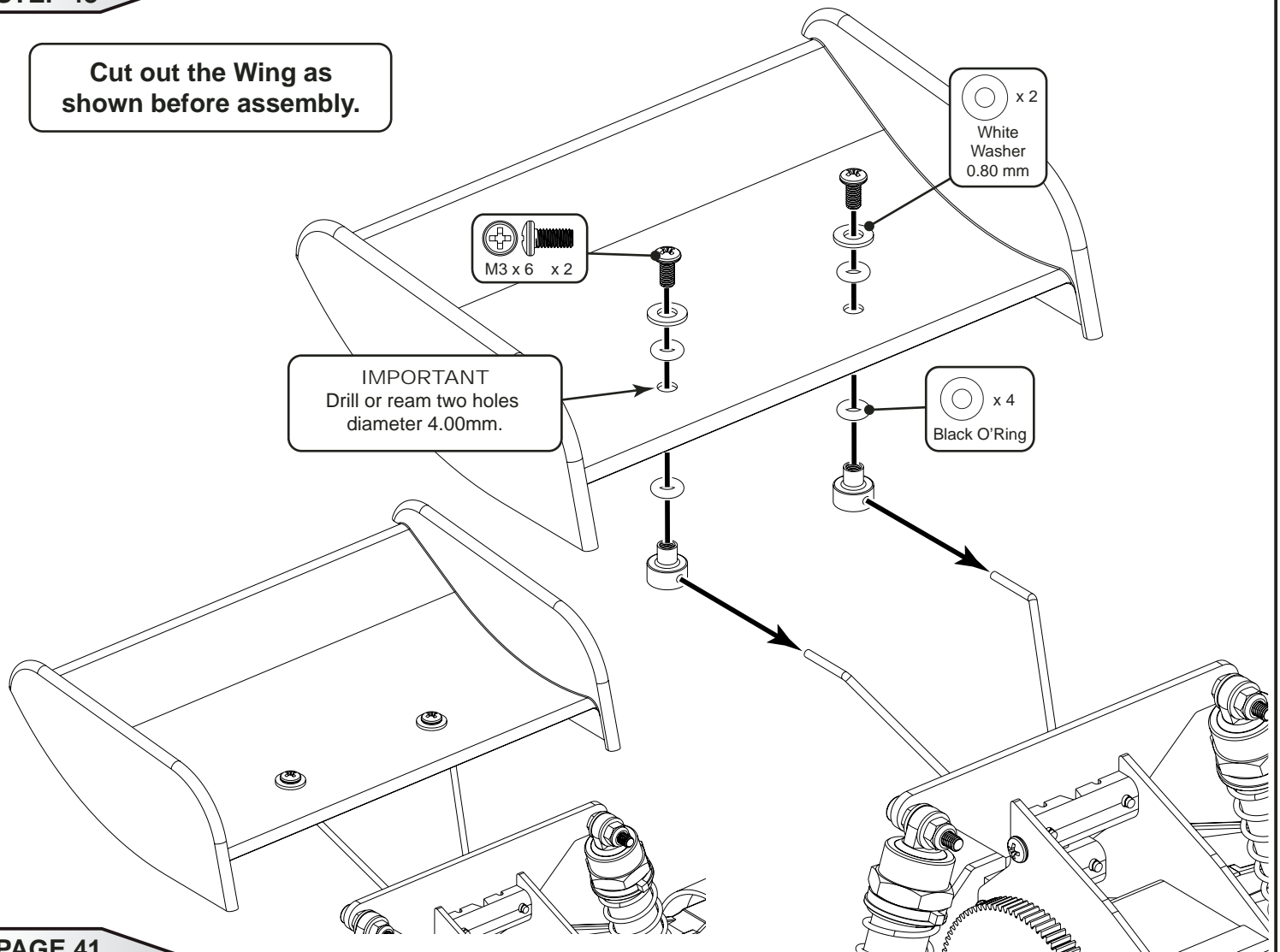
CAT*XLS*
MASAMI

IMPORTANT
Note which way
the block fits.

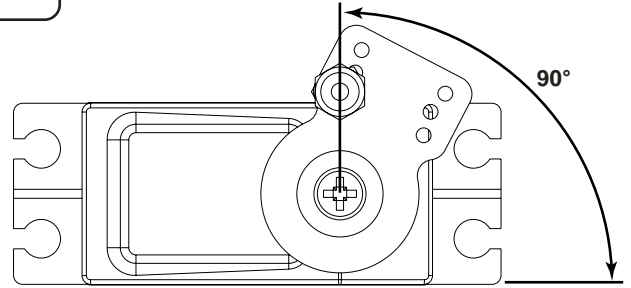


STEP 48

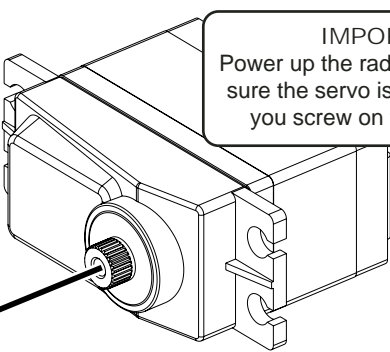
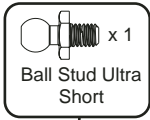
**Cut out the Wing as
shown before assembly.**



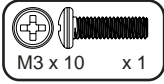
IMPORTANT
Power up the radio gear, and make sure the servo is at neutral before you screw on the servo horn.



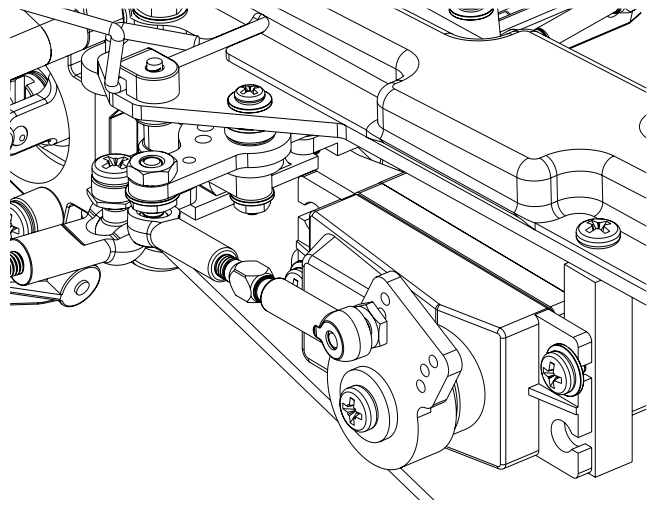
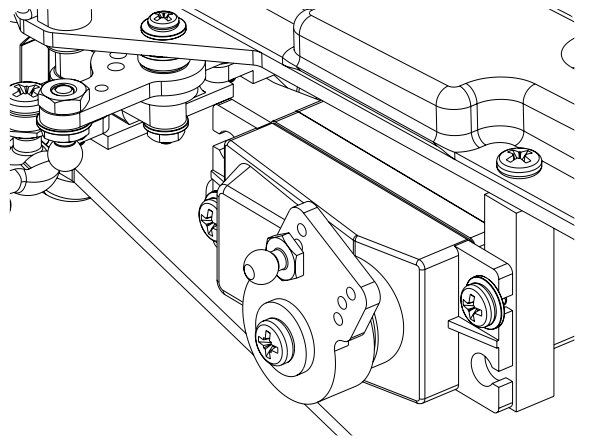
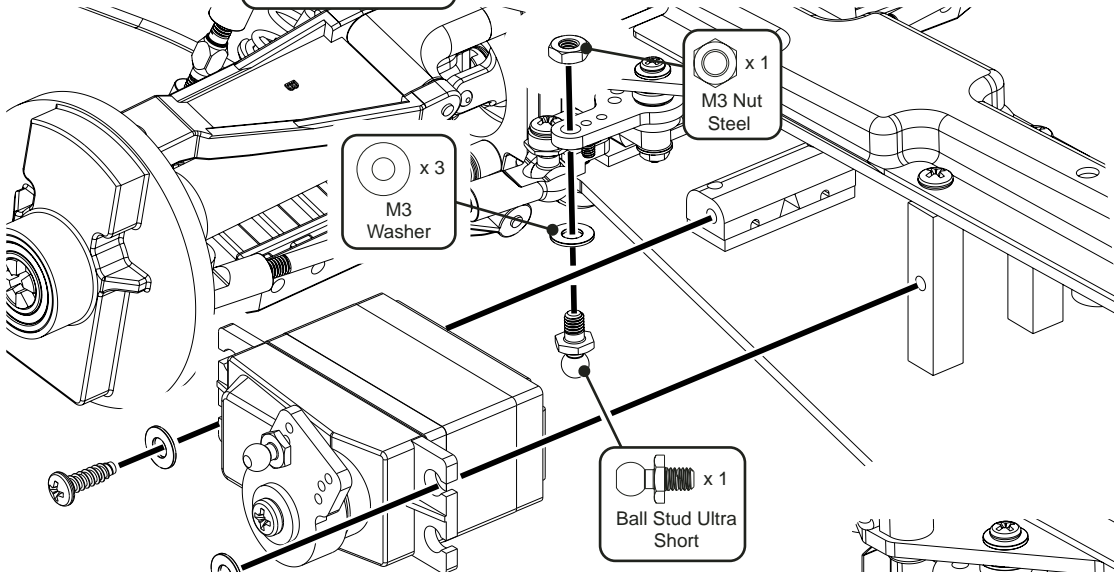
Servo NOT included.



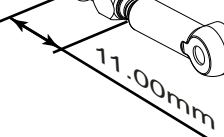
Servo Saver
CR290 23T (Optional)
CR291 25T (Kit)

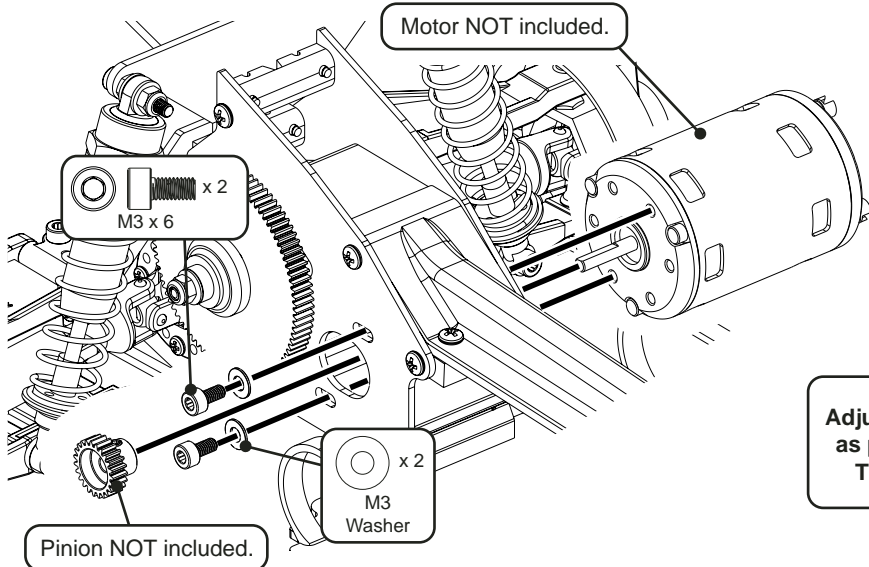


IMPORTANT
Drill or ream
diameter 3.00mm.



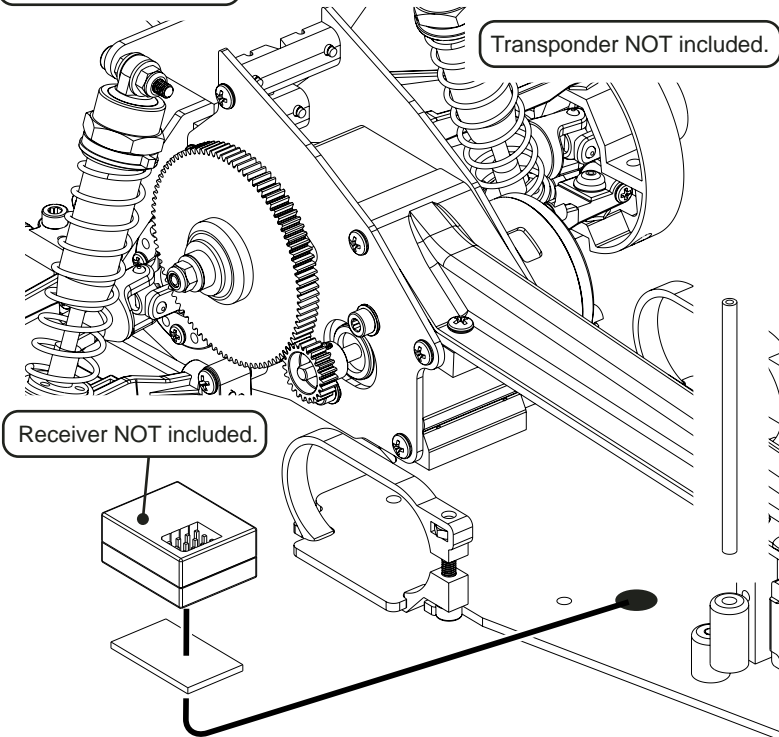
IMPORTANT
Use the same assembly procedure
for the turnbuckles
as shown on page 39 STEP 45 A.





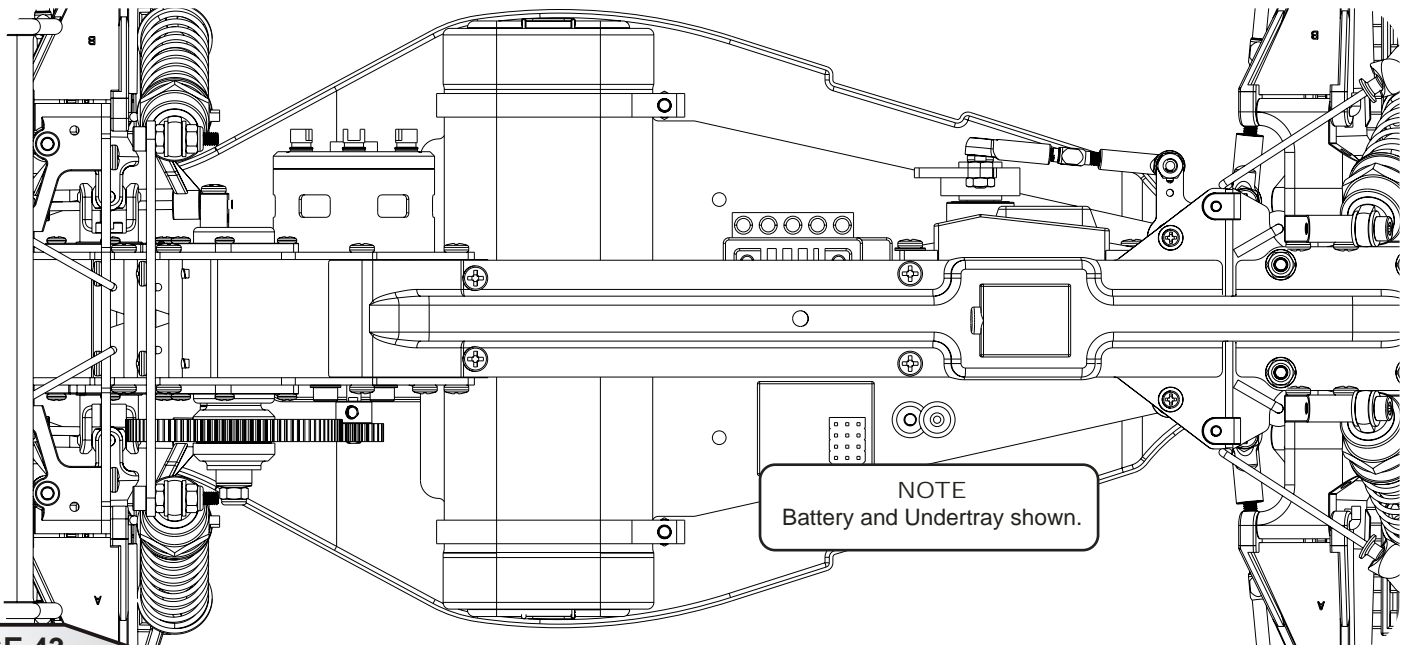
Adjust the gear mesh as close as possible without binding. Then tighten the screws.

Capacitors NOT included.



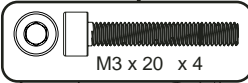
KIT TRANSMISSION GEAR CHART.

	20	21	22	23	24	25	26	27	28	29
89	10.68	10.17	9.70	9.28	8.89	8.54	8.21	7.91	7.62	7.36

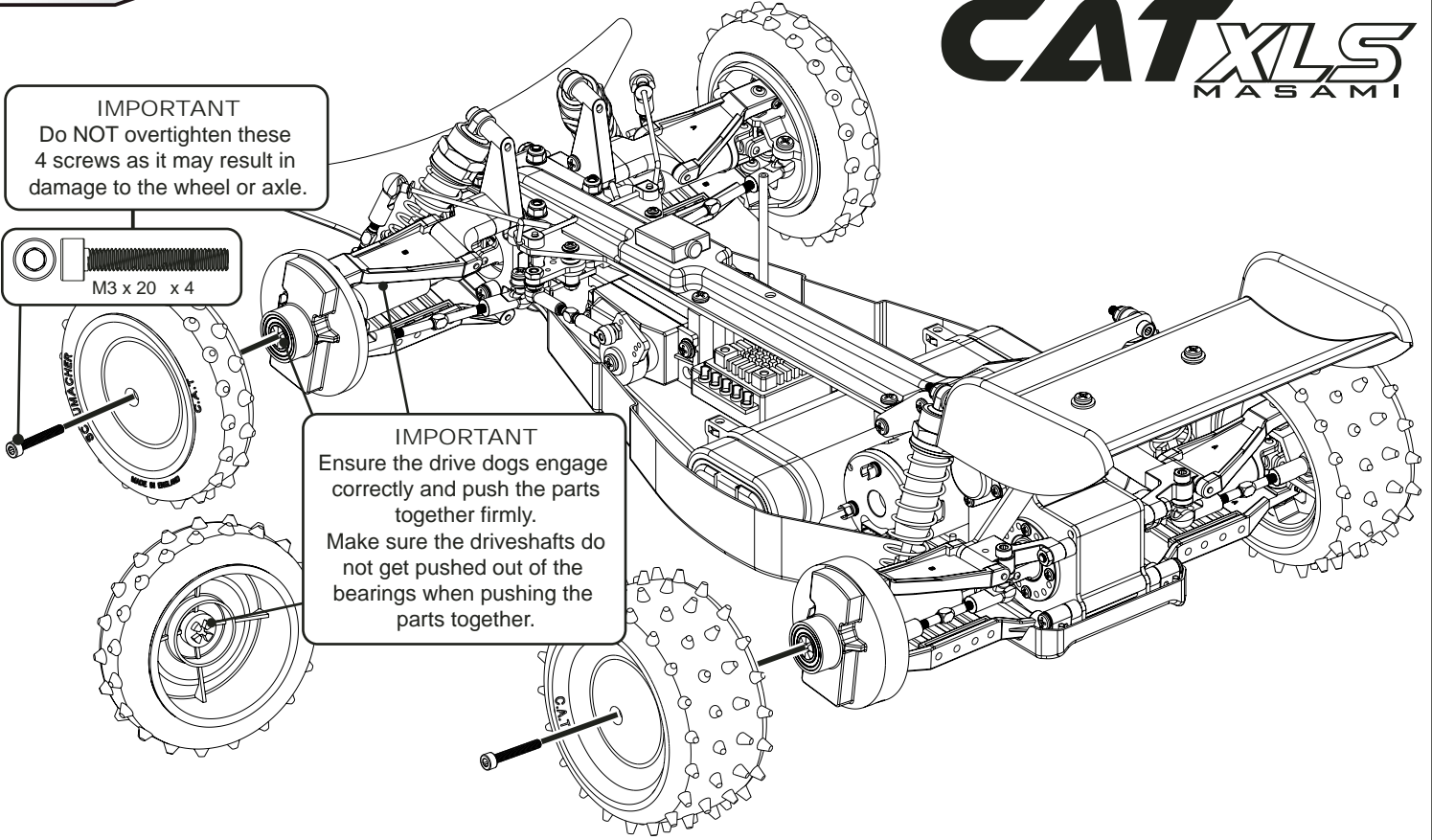


STEP 51

IMPORTANT
Do NOT overtighten these 4 screws as it may result in damage to the wheel or axle.

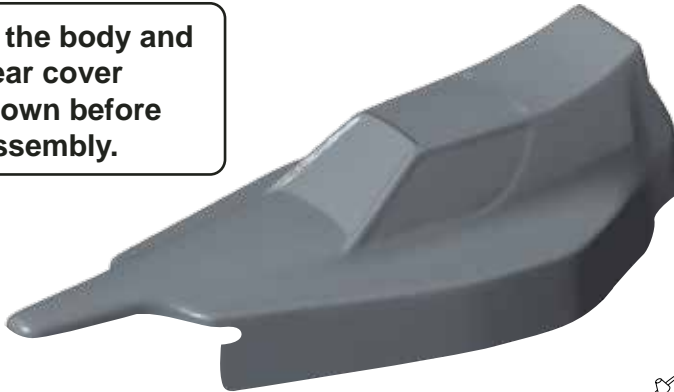


IMPORTANT
Ensure the drive dogs engage correctly and push the parts together firmly.
Make sure the driveshafts do not get pushed out of the bearings when pushing the parts together.



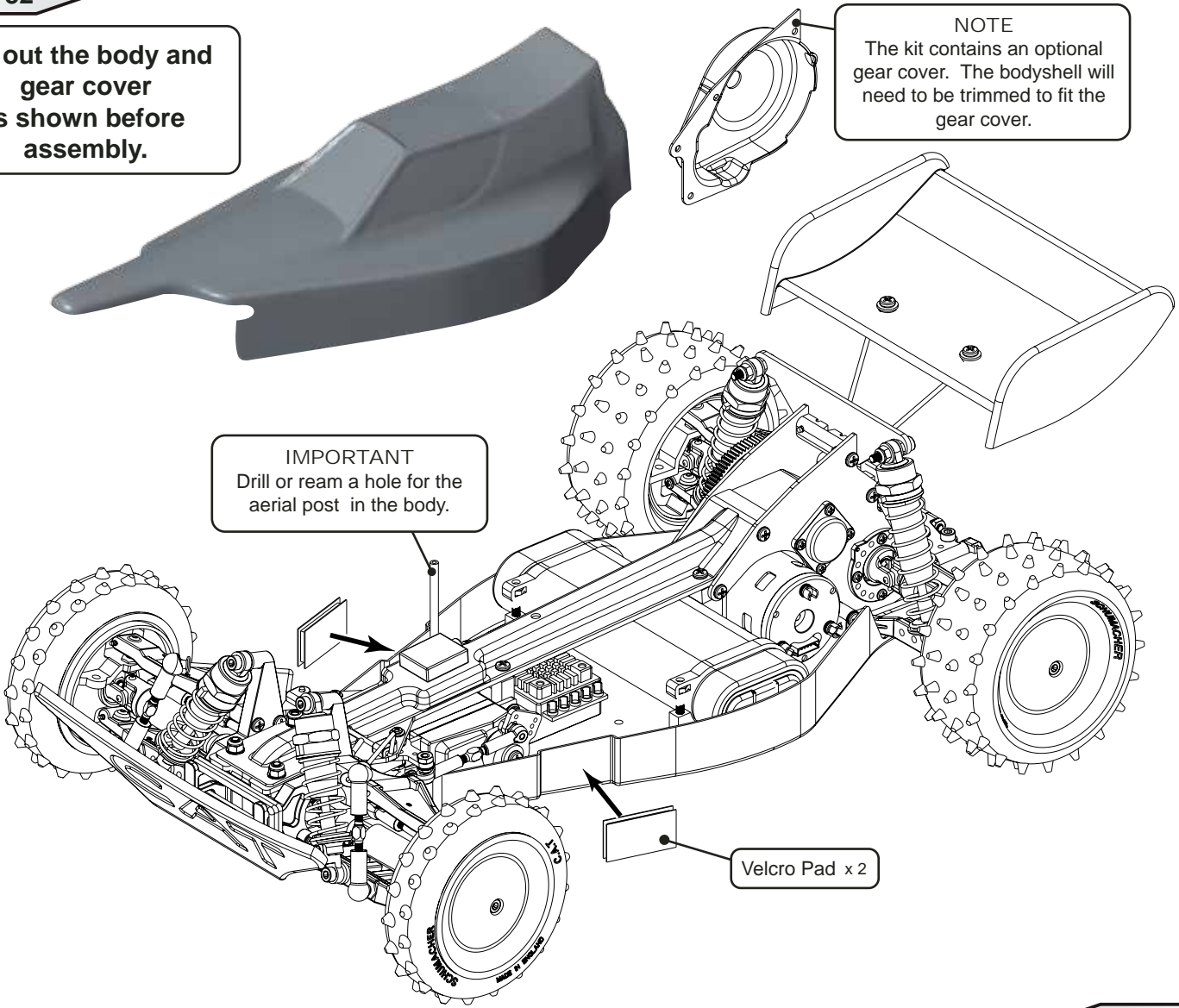
STEP 52

Cut out the body and gear cover as shown before assembly.



NOTE
The kit contains an optional gear cover. The bodyshell will need to be trimmed to fit the gear cover.

IMPORTANT
Drill or ream a hole for the aerial post in the body.



Velcro Pad x 2

Carefully snap the fences onto the pulley using pliers, see image right for correct orientation of the fences.

Black O'ring

U4869

Correct fence orientation.

Black O'ring

U7244

U7238

IMPORTANT REAR DIFF SETTING
Tighten screw to flatten the disk springs then undo 1/4 turn.

x 2
8 x 16 x 5

U7243

U7240

U4899

x 12
Ø3.00

SILICONE
U1301

MOLY
U1957

Disc springs

Small grooved washer

Big grooved washer

x 2
SHIM
5 x 3.25 X 0.30

U4943

x 1
M3 Nyloc Steel

IMPORTANT
Ensure the drive dogs engage correctly and push the parts together firmly.

IMPORTANT
Ensure the disc springs are assembled as shown.

Small grooved washer

Big grooved washer

x 3
1/8"x1/4"

Carefully snap the fences onto the pulley using pliers, see image right for correct orientation of the fences.

Correct fence orientation.

U7237

U4869

IMPORTANT FRONT DIFF SETTING
Tighten screw to flatten the disk springs then undo 1/4 turn.

x 2
8 x 16 x 5

SILICONE
U1301

x 12
Ø3.00

MOLY
U1957

Disc springs

Small grooved washer

Big grooved washer

x 2
SHIM
5 x 3.25 X 0.30

IMPORTANT
Ensure the drive dogs engage correctly and push the parts together firmly.

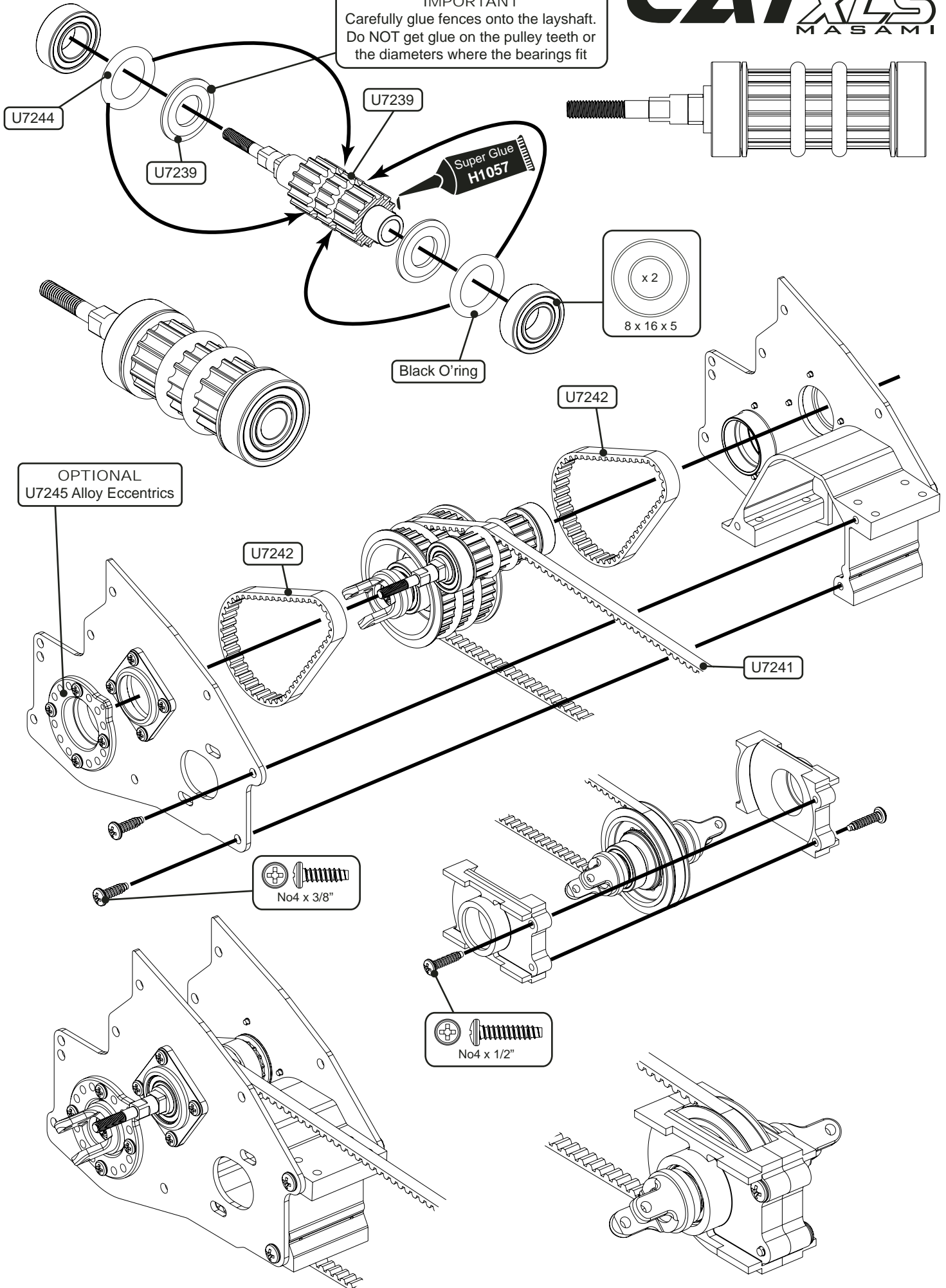
IMPORTANT
Ensure the disc springs are assembled as shown.

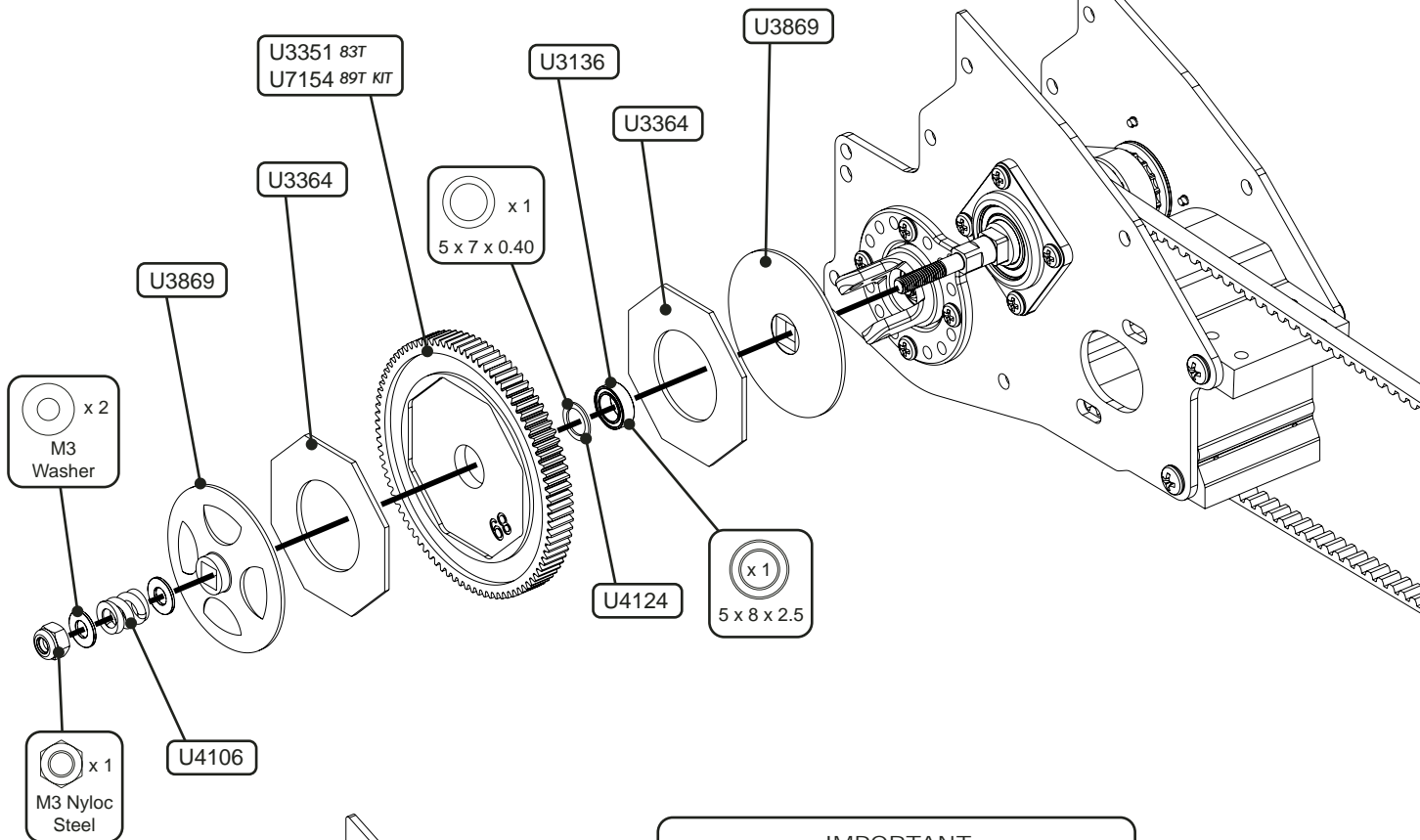
Small grooved washer

Big grooved washer

x 3
1/8"x1/4"

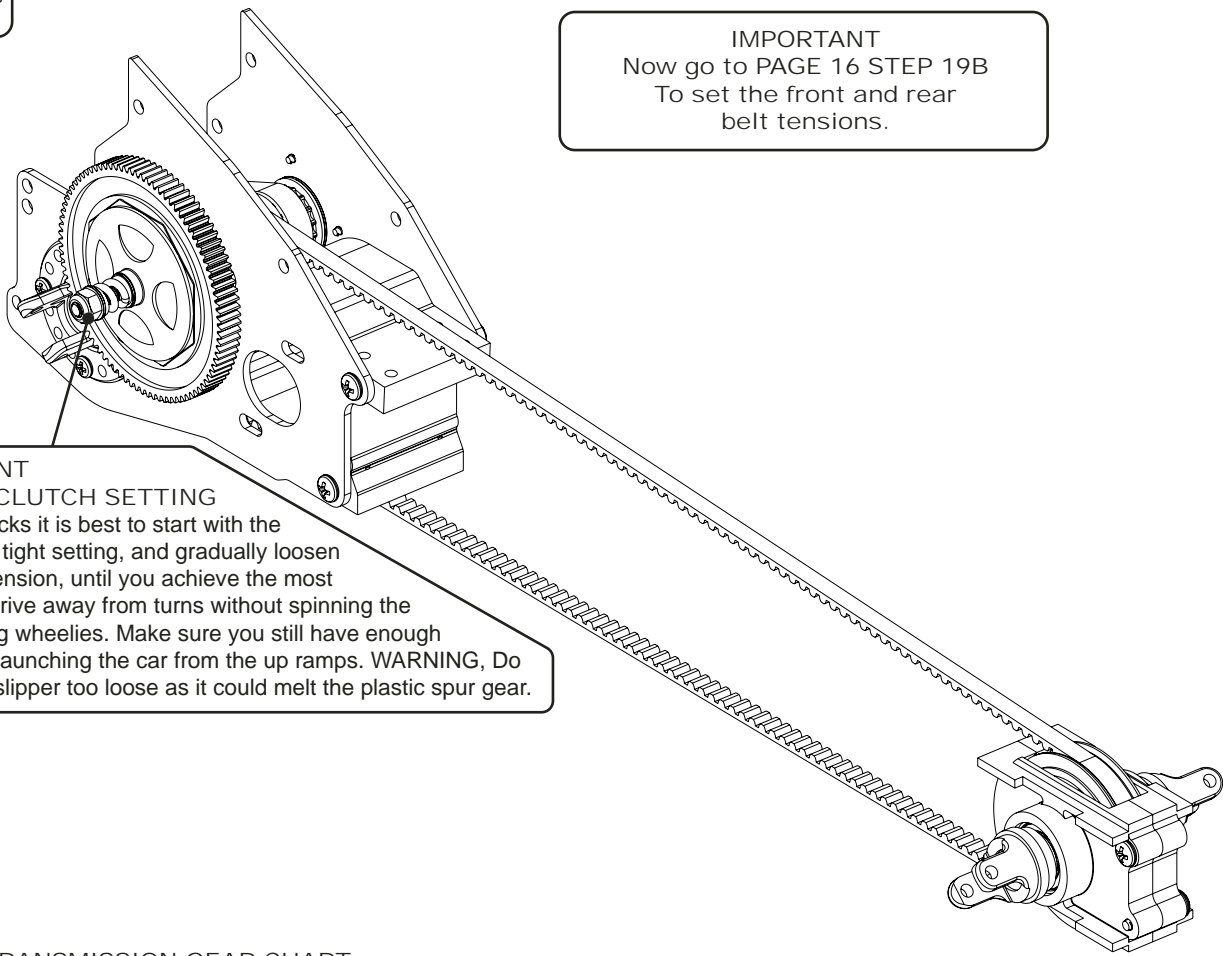
IMPORTANT
Carefully glue fences onto the layshaft.
Do NOT get glue on the pulley teeth or
the diameters where the bearings fit





IMPORTANT
Now go to PAGE 16 STEP 19B
To set the front and rear
belt tensions.

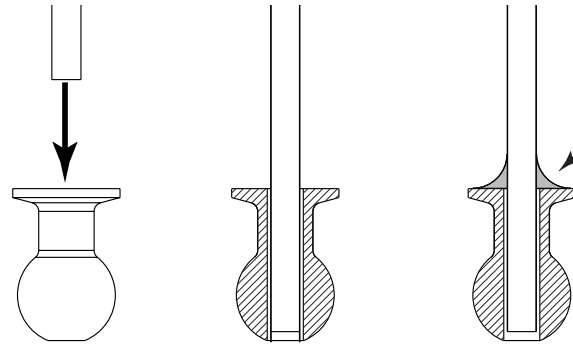
IMPORTANT
SLIPPER CLUTCH SETTING
On most tracks it is best to start with the slipper on a tight setting, and gradually loosen the spring tension, until you achieve the most consistent drive away from turns without spinning the car or pulling wheelies. Make sure you still have enough drive when launching the car from the up ramps. **WARNING**, Do not run the slipper too loose as it could melt the plastic spur gear.


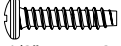


PRO TRANSMISSION GEAR CHART.

	20	21	22	23	24	25	26	27	28	29	30	31	32	33	34	35
89	10.68	10.17	9.70	9.28	8.89	8.54	8.21	7.91	7.62	7.36						
83							7.66	7.37	7.11	6.86	6.63	6.42	6.22	6.03	5.85	5.69

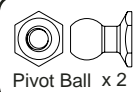
Solder the anti-roll bar to the roll bar balls as shown.



 
No4 x 1/2" x 2

IMPORTANT
Carefully adjust the grub screws to eliminate roll bar clearance.

 x 2
M3 x 4


Pivot Ball x 2

6.00mm

 x 2
M3 x 12

 x 2
Black Washer
1.60 mm

IMPORTANT
Use the same assembly procedure for the turnbuckles as shown on page 39 STEP 45 A.

WHEELS, TYRES AND INSERTS

Low Profile
2WD Slim Cut Stagger



U6770 - Yellow Compound (pair)
U6771 - Green Compound (pair)
U6775 - Silver Compound (pair)
U6776 - Blue Compound (pair)

2WD Slim Cut Stagger



U6759 - Yellow Compound (pair)
U6765 - Green Compound (pair)

2WD Slim Stagger



U6592 - Yellow Compound (pair)

2WD Slim Mini Spike 2



U6549 - Blue Compound (pair)
U6550 - Green Compound (pair)
U6581 - Yellow Compound (pair)
U6761 - Silver Compound (pair)

2WD Slim Mini Pin



U6609 - Yellow Compound (pair)
U6779 - Silver Compound (pair)

2WD Slim 2 Row Stud



T654 - Yellow Compound (pair)

4WD 2 Row Stud



U6797 - Yellow Compound (pair)

4WD Wide Stagger Rib



U6810 - Yellow Compound (pair)
U6811 - Silver Compound (pair)

4WD Mini Spike 2



U6557 - Yellow Compound (pair)
U6517 - Blue Compound (pair)
U6515 - Green Compound (pair)
U6762 - Silver Compound (pair)

4WD Mini Pin



U6607 - Yellow Compound (pair)
U6601 - Blue Compound (pair)
U6777 - Silver Compound (pair)

4WD 2" Block



T693 - Blue Compound (pair)
U6787 - Yellow Compound (pair)

'The Original' 2"
4WD Full Spike



T652 - Soft Compound (pair)

4WD 2.2" Full Spike



U6595 - Yellow Compound (pair)

Rear Mini Spike 2



U6516 - Green Compound (pair)
U6518 - Blue Compound (pair)
U6558 - Yellow Compound (pair)
U6763 - Silver Compound (pair)

Rear Mini Pin



U6608 - Yellow Compound (pair)

Rear 2" Block



T692 - Blue Compound (pair)
U6786 - Yellow Compound (pair)

'The Original'
Rear 2" Full Spike



T650 - Soft Compound (pair)

Rear 2.2" Full Spike



U6596 - Yellow Compound (pair)

Rear Mini Pin 1



U6817 - Yellow Compound (pair)
U6819 - Blue Compound (pair)
U6820 - Silver Compound (pair)

2WD Slim Mini Dart



U6824 - Yellow Compound (pair)
U6827 - Blue Compound (pair)
U6830 - Silver Compound (pair)

4WD Mini Dart



U6825 - Yellow Compound (pair)
U6828 - Blue Compound (pair)
U6831 - Silver Compound (pair)

Rear Mini Dart



U6826 - Yellow Compound (pair)
U6829 - Blue Compound (pair)
U6832 - Silver Compound (pair)

4WD Mini Pin 2



U6821 - Yellow Compound (pair)

Rear Mini Pin 2



U6803 - Blue Compound (pair)
U6804 - Yellow Compound (pair)
U6805 - Silver Compound (pair)

Wheels



U7181 - Rear Wheel Black (pair)
U7182 - Front Wheel Black (pair)
U7246 - Chrome Front Wheel (pair)
U7247 - Chrome Rear Wheel (pair)
U7289 - White Rear Wheel (pair)
U7290 - White Front Wheel (pair)

Front Slim
Foam Inserts



U6738 - Med (pair)
U6667 - Hard (pair)

Front Medium
Foam Inserts



U6733 - Med (pair)
U6746 - Med Tubby (pair)
U6652 - Hard (pair)

Rear
Foam Inserts



U6734 - Med (pair)
U6747 - Med Tubby (pair)
U6653 - Hard (pair)
U6668 - Soft Ultra Wide (pair)
U6669 - Hard Ultra Wide (pair)

CATXLS
MASAMI

Tyre Grip Guide

	Tarmac	Carpet	Dry Astro	Dry Grass	Wet Grass	Wet Astro
2WD Slim Cut Stagger	U6759 Yellow	★★	★★★★	★★★★		
	U6765 Green				★★★★	★★
2WD Slim Low Profile Cut Stagger	U6770 Yellow		★★★★	★★★★		
	U6771 Green				★★★★	★★
	U6775 Silver				★★	★★★★
	U6776 Blue	★★				
2WD Slim Stagger Rib	U6592 Yellow		★★★★	★★★★		
2WD Slim Mini Spike 2	U6581 Yellow		★★	★★★★	★★★★	
	U6550 Green			★		★★★★
	U6549 Blue	★★				★★
	U6761 Silver				★★	★★
2WD Slim Mini Pin	U6609 Yellow	★	★★★★	★★		
	U6779 Silver				★★	★★★★
2WD Slim Mini Dart	U6824 Yellow		★★	★★★★		
	U6827 Blue		★	★★		
	U6830 Silver					★★★★
2WD Slim 2 Row Stud	T654 Yellow		★	★★	★★	
4WD 2 Row Stud	U6797 Yellow	★	★	★★	★★	★
4WD Front Mini Spike 2	U6557 Yellow	★	★★	★★★★	★★★★	
	U6515 Green			★		★★★★
	U6517 Blue	★★			★★★★	★★
	U6762 Silver				★★	★★★★
4WD Front Mini Pin	U6607 Yellow	★	★★★★	★★		
	U6601 Blue	★★★	★			
	U6777 Silver				★★	★★★★
4WD Front Mini Pin 2	U6821 Yellow	★	★★	★★★★		
4WD Front Mini Dart	U6825 Yellow		★★★★	★★★★		
4WD Front 2.2" Full Spike	U6595 Yellow				★★	
4WD Front 2" Block	U6787 Yellow	★★			★	
	T693 Blue	★				
"Original" 2" 4WD Front Full Spike	T652 Yellow	★			★	
4WD Front Wide Stagger	U6810 Yellow		★★	★★	★	
	U6811 Silver	★★				★★
Rear Mini Spike 2	U6558 Yellow	★	★	★★★★	★★★★	
	U6516 Green			★		★★★★
	U6518 Blue	★★★			★★	★★
	U6763 Silver				★★	★★★★
Rear Mini Pin 1	U6817 Yellow		★★★★	★★★★	★	
	U6819 Blue		★★	★★		
	U6820 Silver				★	★★★★
Rear Mini Pin 2	U6804 Yellow	★	★★★★	★★		
	U6803 Blue	★★★	★			
	U6805 Silver				★	★★★★
Rear Mini Dart	U6826 Yellow		★★★★	★★★★	★	
	U6829 Blue		★★	★★		
	U6832 Silver				★	★★★★
Rear 2.2" Full Spike	U6596 Yellow				★★	
Rear 2" Block	U6786 Yellow			★★★★		
	T692 Blue	★★				
"Original" 2" 4WD Rear Full Spike	T650 Yellow	★			★	

Excellent Grip ★★★ Good Grip ★★ Fair Grip ★



Schumacher 3 Layer Soft Shell Team Jacket - Black

- G339XS - Extra Small - 34 inch chest
- G339S - Small - 38 inch chest
- G339M - Medium - 41 inch chest
- G339L - Large - 44 inch chest
- G339XL - X Large - 46 inch chest
- G339XXL - XX Large - 48 inch chest
- G339XXXL - XXX Large - 50 inch chest



Schumacher Team Hooded Sweat - Navy Blue

- G343S - Small
- G343M - Medium
- G343L - Large
- G343XL - Extra Large



Schumacher Team RETRO TEE!

- G345L - Large
- G345M - Medium
- G345S - Small
- G345XL - X-Large
- G345XXL - XX-Large
- G345XXXL - XXX-Large
- G345XXXXL - XXXX-Large



Caps - Black

- G340 - Schumacher Team Baseball Cap



Schumacher Team POLO! - Navy blue

- G344S - Small
- G344M - Medium
- G344L - Large
- G344XL - X Large
- G344XXL - XX Large
- G344XXXL - XXX Large
- G344XXXXL - XXXX Large
- G344XXXXXL - XXXXX Large



Schumacher Team TEE! - Navy blue

- G342S - Small
- G342M - Medium
- G342L - Large
- G342XL - X Large
- G342XXL - XX Large
- G342XXXL - XXX Large
- G342XXXXL - XXXX Large
- G342XXXXXL - XXXXX Large



Beanies

- G338 - Schumacher Team Beanie



Towels

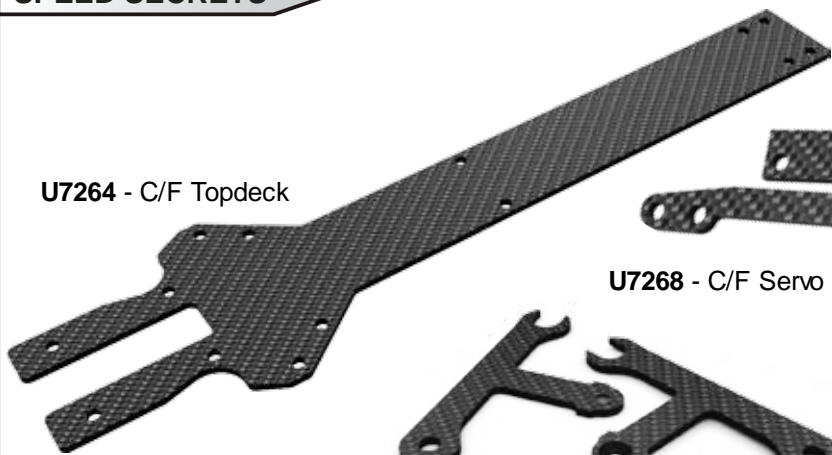
- G315 - Schumacher Team Pit Towel



Banners

- S500B - Schumacher Team Banner 3ft x 6ft

U7264 - C/F Topdeck



U3850 - Moulded Wing Mount Set - Off Road



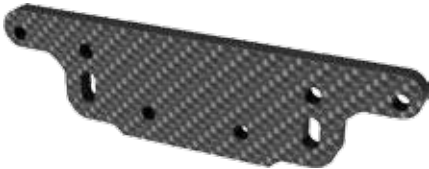
U7268 - C/F Servo Spacer and C.T.R



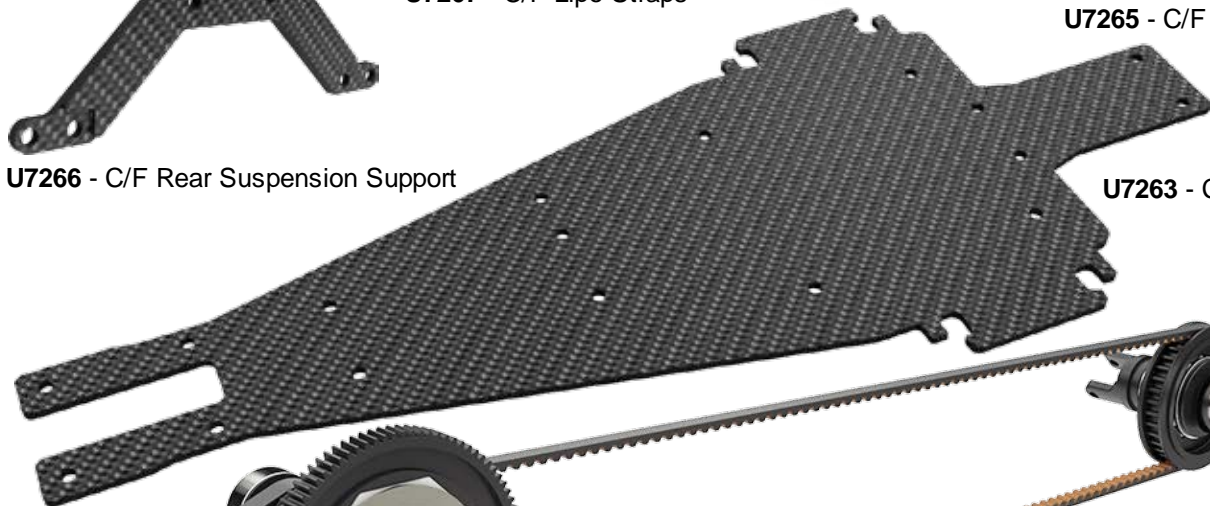
U7267 - C/F Lipo Straps



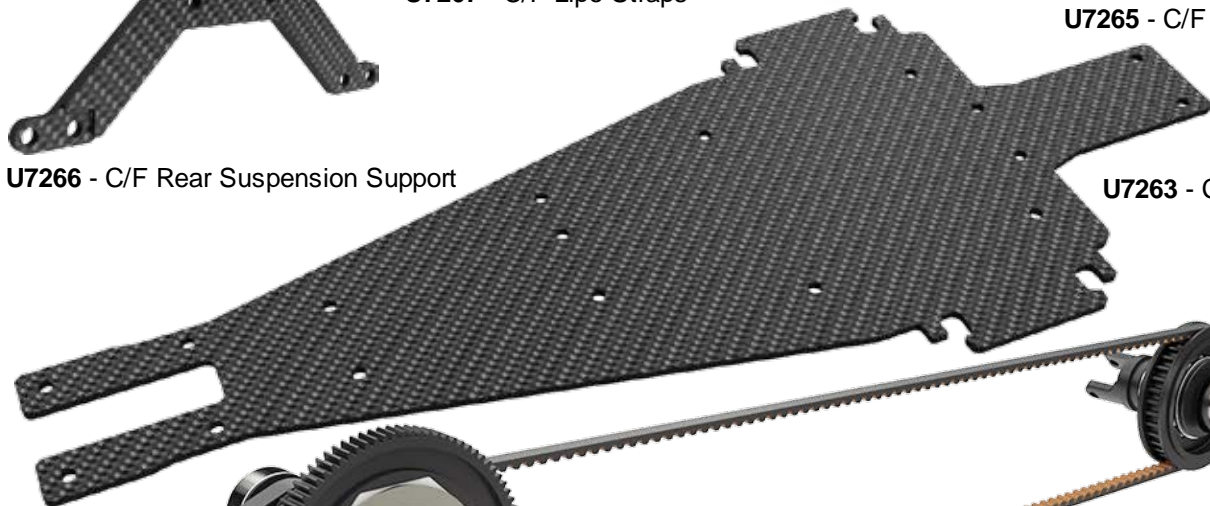
U7265 - C/F Rear Shock Mount



U7266 - C/F Rear Suspension Support



U7263 - C/F Chassis



U7293 - Alloy Front Transmission Housings



U7241 - Pro Front Belt

U7242 - Pro Rear Belts (pr)

U7236 - Pro Transmission Upgrade

U7240 - Pro Diff Rebuild Kit

U7244 - Pro Transmission Orings



U7292 - Alloy Rear Trans Housing Inner

U7294 - Alloy Rear Trans Spacer



U7235 - Rear Roll Bar Complete

U7238 - Pro Rear Diff Pulley & Fences

U7239 - Pro Layshaft



U7237 - Pro front Diff Pulley & Fences

U7243 - Alloy Washer Carrier

U7245 - Alloy Eccentric (pr)



Driver & Event

Name.....
Date.....Event.....
Weather.....
Result.....

Track Conditions

Grip Level High Med Low
Type Tight Open Mixed
Surface Clay Astro Grass
Mixed Carpet
Condition Smooth Bumpy

Motor & Gearing

Motor.....
Rotor Diameter.....mm
Timing.....Deg
Spur.....
Pinion.....

Front Shock

Oil.....cSt
Piston Front Rear
Spring.....
Spacers.....mm

Rear Shock

Oil.....cSt
Piston Front Rear
Spring.....
Spacers.....mm

Notes

CAT XLS

MASAMI

Transmission Type

Kit Standard Pro Trans

Suspension settings

Front Roll Bar Yes No
Rear Roll Bar Yes No
Rear Toe-in.....Deg
Front Toe In OutDeg
Ride Height Front.....mm Rear.....mm

Wheels & Tyres

Rear Tyre.....
Rear Wheel.....
Rear Insert.....
Front Tyre.....
Front Wheel.....
Front Insert.....
Vented/Drilled Wheel Yes No

Electrics & Chassis

Speed Controller.....
Servo.....
Receiver.....
Battery Type Shorty Stick
LiPo NiMH
Chassis F/G Carbon
Wing Mount Wire Moulded

