

SB401

Name / 姓名 _____

Date / 日期 _____

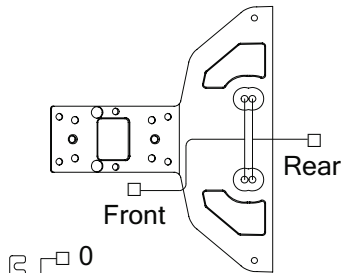
Truck / City / 跑道 / 城市 _____

Event / 活動 _____

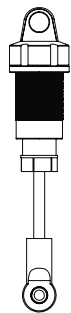
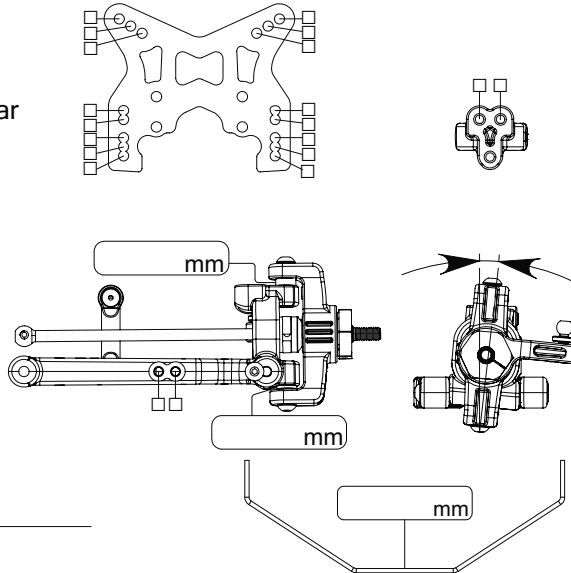
Arm0

Front Suspension

Camber _____ ° Toe _____ °
Caster _____ ° Ride Height _____

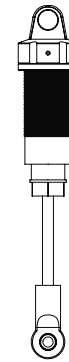
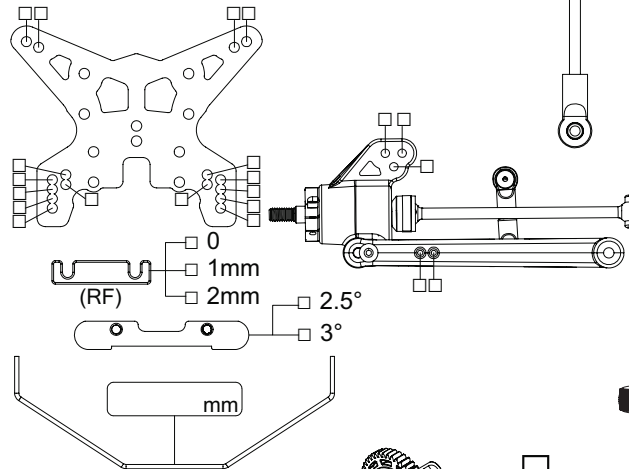
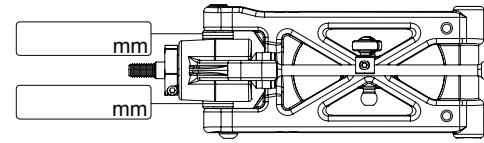


0
1mm
2mm
(FF)



Shock Oil
避震油 # _____
Shock Piston
避震活塞 _____
Spring
彈簧 _____
Preload
向下高度 _____ mm
Limiters
Inside _____ mm
Outside _____ mm

Rear Suspension

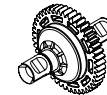


Shock Oil
避震油 # _____
Shock Piston
避震活塞 _____
Spring
彈簧 _____
Preload
向下高度 _____ mm
Limiters
Inside _____ mm
Outside _____ mm
Location Front Rear

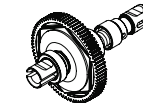
Camber _____ °
Ride Height _____

Comments

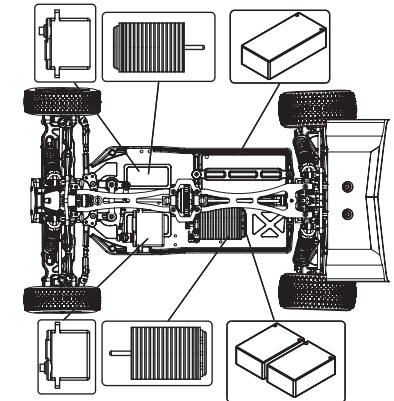
Diff	Front	Center	Rear
Oil			



Gear Diff
齒輪差速



Slipper
扭陀



Tires & Wheels

Front

Tire
輪胎 _____
Wheel
輪框 _____
Insets
內海綿 _____
Notes _____

Rear

Tire
輪胎 _____
Wheel
輪框 _____
Insets
內海綿 _____
Notes _____

Weather

Temperature / 溫度 _____

Humidity / 溼度 _____

Track Conditions

Size: Open Med Tight
開放 中 小

Traction: High Med Low
高 中 低

Surface: Smooth Med Bumpy
滑 中 顛坡

Composition: Astroturf Carpet
 Clay Dirt Grass Wood
 Other: _____

Others

ESC _____
Motor
馬達 _____
Battery
電池 _____
Pinion/Spur
馬達齒/齒輪 _____
Wing _____