



PR SB401/LW Name / 姓名 _____
Setup Sheet

Date / 日期 _____

Track/City / 跑道/城市 _____

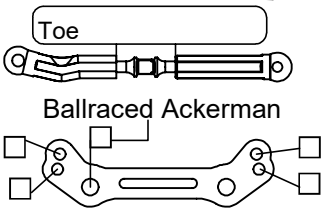
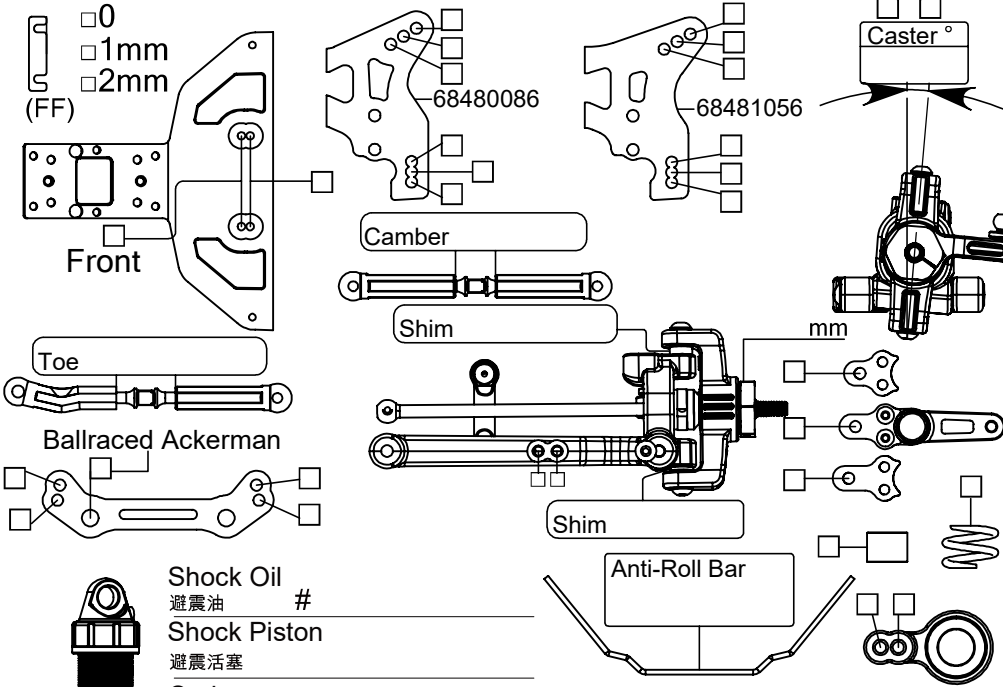
Event / 活動 _____

Am0 - PetitRC.com

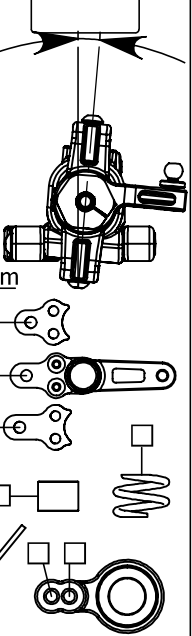
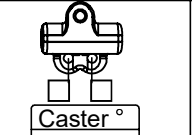
Front Suspension/前

Ride Height _____

- 0
 - 1mm
 - 2mm
- (FF)

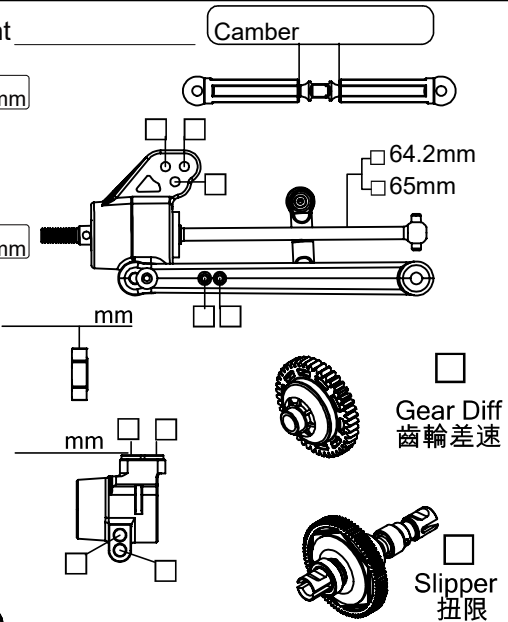
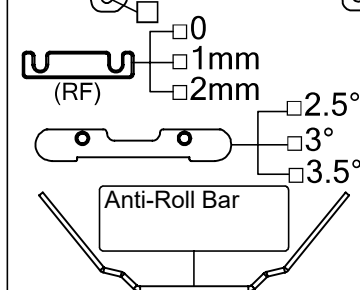
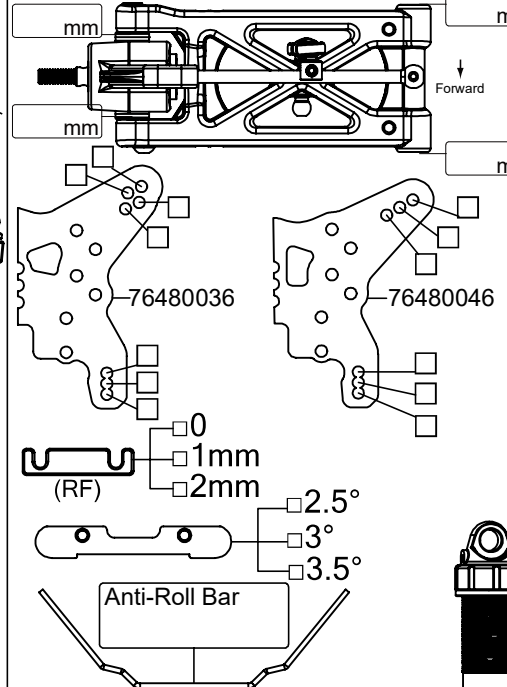


- Shock Oil 避震油 # _____
- Shock Piston 避震活塞 _____
- Spring 彈簧 _____
- Preload 向下高度 _____ mm
- Limiters 限位器
- Inside _____ mm
- Outside _____ mm
- Note _____



Rear Suspension/後

Ride Height _____



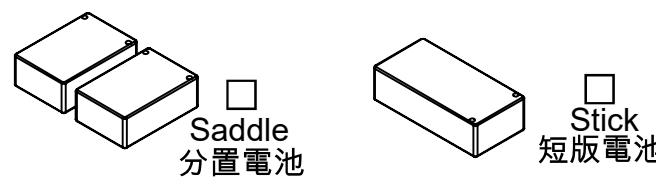
- Shock Oil 避震油 # _____
- Shock Piston 避震活塞 _____
- Spring 彈簧 _____
- Preload 向下高度 _____ mm
- Limiters 限位器
- Inside _____ mm
- Outside _____ mm
- Note _____

	Front	Center	Rear
Diff Oil			

Tires & Wheels

- Front**
- Tire 輪胎 _____
 - Wheel 輪框 _____
 - Insets 內海綿 _____
 - Notes _____

- Rear**
- Tire 輪胎 _____
 - Wheel 輪框 _____
 - Insets 內海綿 _____
 - Notes _____



- Temp** _____
- Humid** _____
- Track Conditions/跑道情況**
- Composition: Astro Carpet Clay Dirt Grass
 - Layout/尺寸: Open/開放 Mixed/中 Tight/小
 - Traction/抓地力: Low/低 Medium/中 High/高
 - Surface/表面: Smooth/滑 Bumpy/顛坡

Others

- ESC _____
- Motor 馬達 _____
- Battery 電池 _____
- Pinion/Spur 馬達齒/齒輪 _____
- Wing _____