

S1v3 FM MM

Name / 姓名 _____

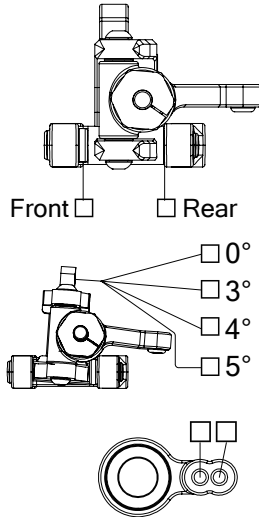
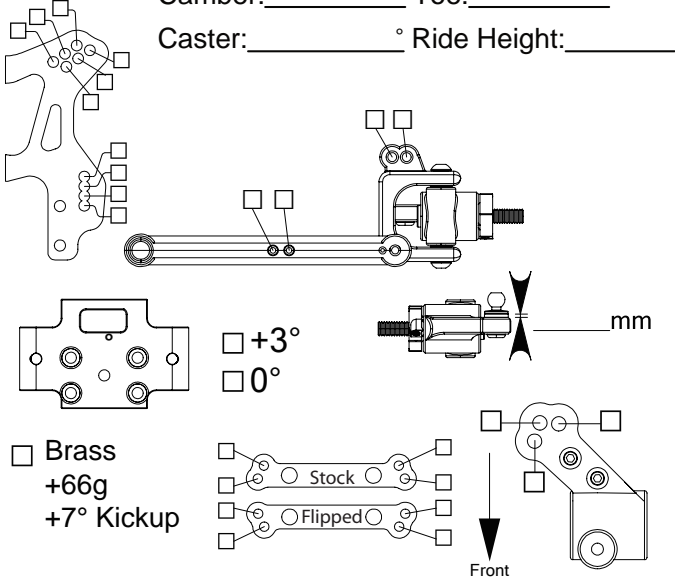
Date / 日期 _____

Track/City / 跑道/城市 _____

Event / 活動 _____

Front Suspension

Camber: _____ ° Toe: _____ °
Caster: _____ ° Ride Height: _____

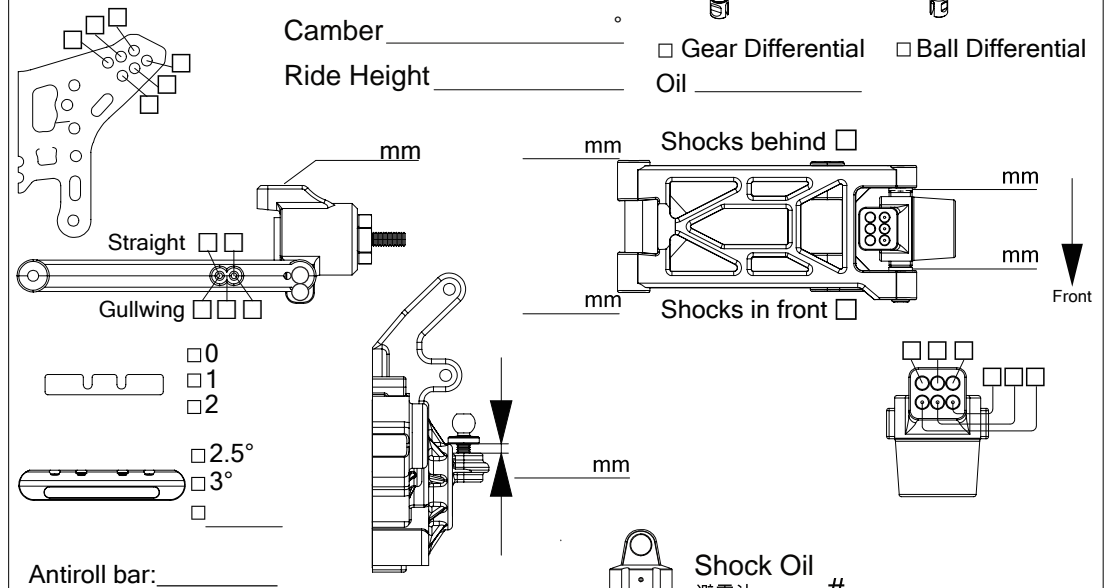


Antiroll bar: _____

Rear Suspension

Camber _____ °
Ride Height _____ mm

Gear Differential Ball Differential
Oil _____



Antiroll bar: _____

Shock Oil 避震油 # _____
Shock Piston 避震活塞 _____
Spring 彈簧 _____
Preload 向下高度 _____ mm
Limiters 限位器
Inside _____ mm
Outside _____ mm

Shock Oil 避震油 # _____
Shock Piston 避震活塞 _____
Spring 彈簧 _____
Preload 向下高度 _____ mm
Limiters 限位器
Inside _____ mm
Outside _____ mm

Tires & Wheels

Front	Rear
Tire 輪胎 _____	Tire 輪胎 _____
Wheel 輪框 _____	Wheel 輪框 _____
Insets 內海綿 _____	Insets 內海綿 _____
Notes _____	Notes _____

Weather

Temperature / 溫度 _____
Humidity / 溼度 _____

Track Conditions

Size: Open 開放 Med 中 Tight 小
Traction: High 高 Med 中 Low 低
Surface: Smooth 滑 Med 中 Bumpy 顛坡
Composition: AstroTurf Carpet
 Clay Dirt Grass Wood
 Other: _____

Others

ESC _____
Motor 馬達 _____
Battery 電池 _____
Pinion/Spur 馬達齒/齒輪 _____
Wing _____