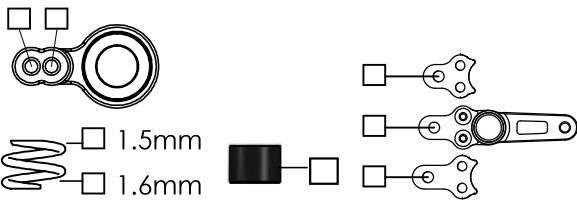
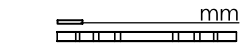
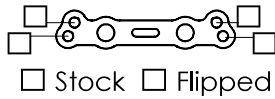
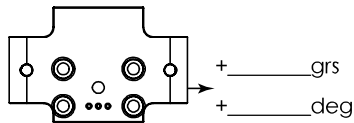
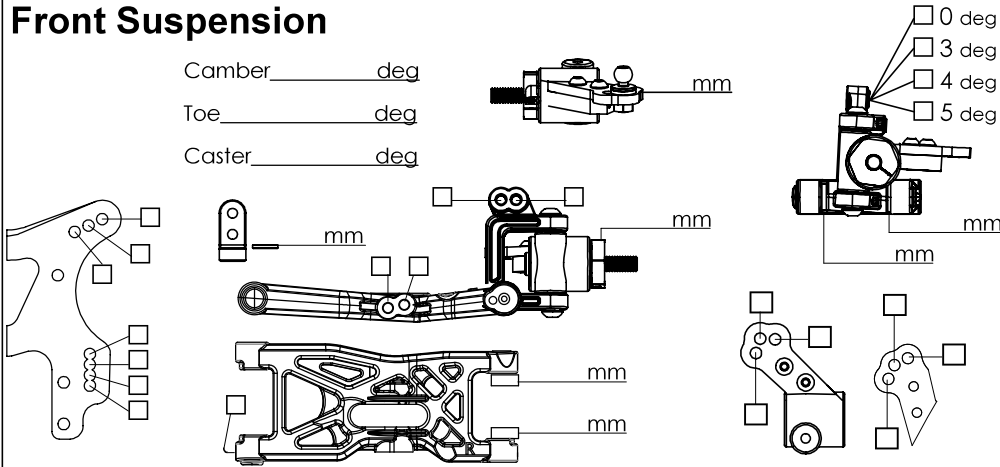


Front Suspension

Camber _____ deg
Toe _____ deg
Caster _____ deg

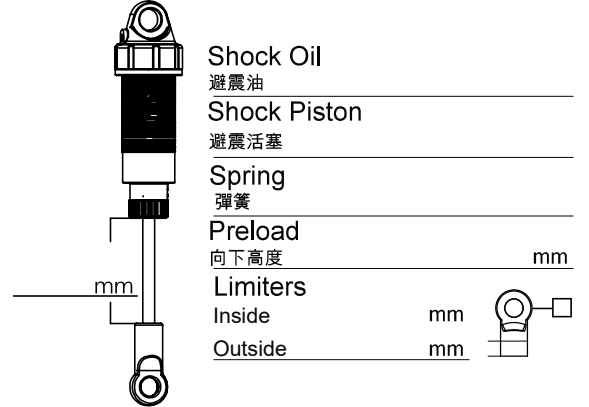
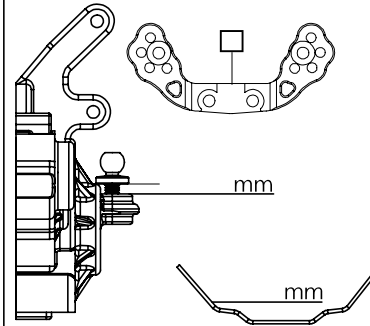
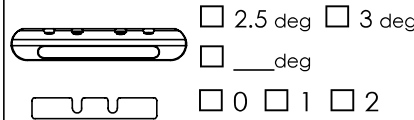
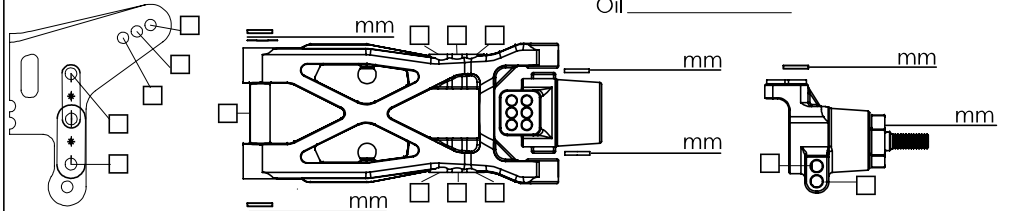


Shock Oil
避震油
Shock Piston
避震活塞
Spring
彈簧
Preload
向下高度
Limiters
Inside _____ mm
Outside _____ mm

Rear Suspension

Camber _____ deg

Gear Differential Ball Differential
Oil _____



Shock Oil
避震油
Shock Piston
避震活塞
Spring
彈簧
Preload
向下高度
Limiters
Inside _____ mm
Outside _____ mm

Notes

Comments

Notes

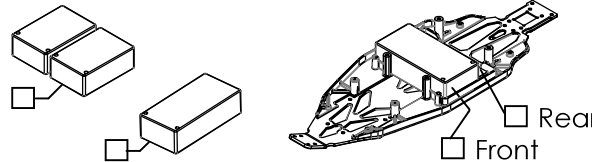
Tires & Wheels

Front

Tire 輪胎 _____
Wheel 輪框 _____
Insets 內海綿 _____

Rear

Tire 輪胎 _____
Wheel 輪框 _____
Insets 內海綿 _____



Temp

Humidity

Track Conditions/跑道情況

Composition: Astro Carpet Clay Dirt Grass
Layout/尺寸: Open/開放 Mixed/中 Tight/小
Traction/抓地力: Low/低 Medium/中 High/高
Surface/表面: Smooth/滑 Bumpy/顛坡

Others

ESC _____
Motor 馬達 _____
Battery 電池 _____
Pinion/Spur 馬達齒/齒輪 _____
Wing _____

Notes