



PR RACING

www.pr-rc.com



PR SIV3 (FM)

V3R **EVO**

1/10 ELECTRIC 2WD RACING PRO KIT

mit
MADE IN TAIWAN

#75400026 PR S1 V3 TYPE R(FM) EVO 1/10 Electric 2WD Buggy PRO

The S1 V3 platform continues to evolve with a whole host of improvements to create the V3R Evo.

The main focus has been to make the car smoother and easier to drive on track, and this has been achieved with a revised 2.5mm thick -5mm length 7075 aluminium chassis . In addition new insert type hangers have been introduced, and in conjunction with the chassis design allow for much lower rear roll centre, keeping the car much flatter on track with smoother rotation.

New Ackerman geometry, and new CNC rear hubs with longer link positons also improve on track driveability. A new motor mount has been produced to lower the motor 2mm into a recess in the chassis, and makes a particular difference on today's high grip tracks. In addition to all the geometry and mechanical changes, the V3R Evo has been treated to a new body, designed to look sleek and offer more steering with it's much larger forward mounted cabin.

2019 V3R Evo – Updates

- New 7075 2.5mm Thick -5mm Length Chassis
- New RR and RF Hangers with Pills
- New CNC Aluminium Rear hubs
- New Low Mount (-2mm) Motor Plate with Spur Protector
- New Ackerman Plate • High Tensile Turnbuckles – Ultra Strong • New Sleek Body
- New Grey Rod Ends and Shock Absorber Plastics
- New Foam Battery Spacers • New ZZ Ball Bearings
- Steel front Axles
- Aluminium +5mm, 3 Degree Front Kick Up Block

In addition to all the updates the car is still packed with lots of items normally considered to be option parts:

- CNC Alloy Servo Mounts
- 4 Degree Alloy Caster Blocks
- Front Camber Plates
- Vented Slipper Plates • Sway Bar Set
- 34 Tooth Alloy Idler Gear

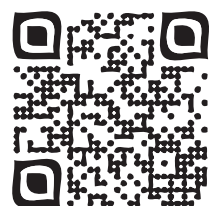
Specifications

Items required to complete

- Length: 411mm
- Width: 250mm
- Height: 145mm
- Wheelbase: 280mm
- Front track: 248mm
- Rear track: 248mm
- Weight: 1480-1510 g
- 12.8mm big bore oil fill in shock
- 3 gears deploy in gear case
- Metal gear differential
- Dual pad slipper mounting
- Complete sealed gear bearing
- 12mm Hex fit wheels
- Metric socket screw (Hex Screws)

Item Required To Complete

- Metric 1.5mm, 2.0mm hex tools
- Metric 5.5mm, 7.0mm 8.0mm Nut Driver
- 2 Channel Surface Radio System (Minimum)
- 1/10 ESC, Motor & Pinion Gear
- High Speed Servo
- 2S LiPo Shorty Battery & Compatible Lipo Charger
- Polycarbonate Paint for Bodies
- 1/10 Buggy Tires, inserts and CA Glue



- **BEFORE INSTALLATION** -----01
- **BAG A** ----- 03-06
 - Chassis Guard Installation
 - Servo Saver
 - Steering Servo
- **BAG B** ----- 06-11
 - Front Suspension
 - Front Spindle (Left Side)
 - Front Spindle (Right Side)
 - Front Suspension (L/R)
 - Front Shock Stay
 - Front Upper Tumbuckle Assembly
 - Rear Hud&Cvd
 - Rear Hud (L&R)
 - Rear Suspension
- **BAG C** ----- 11-16
 - Gear Differential
 - Transmission Assembly
 - Rear Shock Stay
 - Rear Gear Box
 - Rear Shock Stay
 - Rear Suspension
 - Rear Upper Rod -Tumbuckle Assembly
- **BAG D** ----- 17-20
 - Shock Assembly
 - Shock Spring
 - Front Suspension
 - Rear Suspension
 - Motor
 - Battery Plate
 - Tires
 - Body&Wheels
- **SETUP SHEET** -----21-21
- **SPARE PARTS &OPTIONAL PARTS** -----22-24

BEFORE INSTALLATION

- 1 Read through the instruction manual before installation in order to have an overview of what to do.
- 2 Check if there is any missing bags or defective parts, if there is, please contact our local dealer or our PR Distributor.
- 3 Symbols used throughout the instruction manual, comprises of:



Part bags used.



Assemble as many times as specified (here: twice).



Tighten securely.



Note the direction.



True-to-scale diagram.



Do not over tighten.



Must be purchased separately.



Apply threadlocker (screw cement)



Ensure smooth non-binding movement while assembling.



Assemble in the specified order.



Apply grease.



Cut off shaded portion.



Assemble left and right sides the same way.



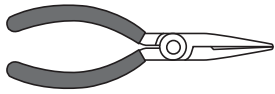
Apply oil.

- 4 This kit contains screws and hardware in different metric sizes and shapes. Before using them, check the screws on the true-to-scale diagrams on the left side in each assembly step. Some screw are extras.

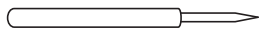
TOOLS REQUIRED

CAUTION: Handle tools carefully!

- Needle Nose Pliers



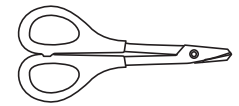
- Awl



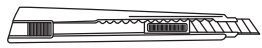
- Grease



- Screw Cement
- Round Cutter & Sander



- Sharp Hobby Knife



- Wire Cutters



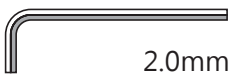
For trimming bodies Cutting along curved lines was never so easy!

- Hex Wrench



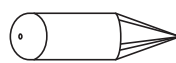
1.5mm

- Ball Differential Grease



2.0mm

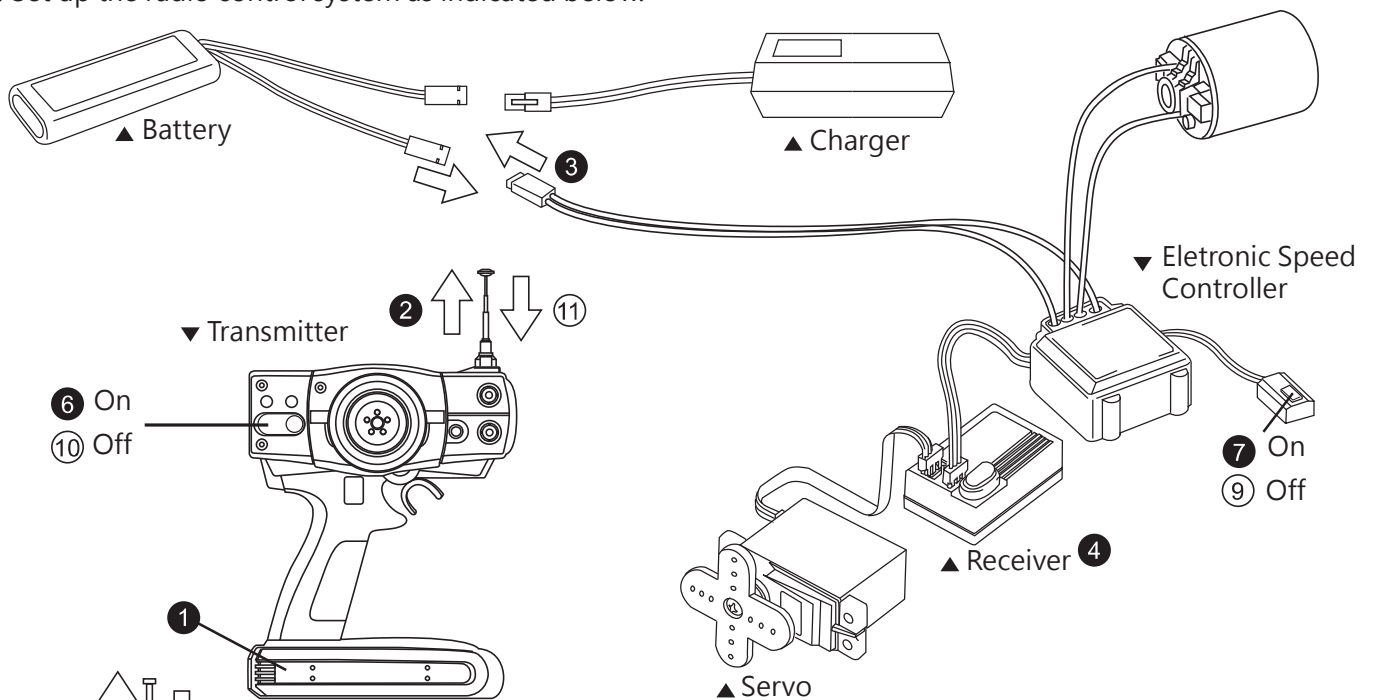
- SP Knife Edge Reamer



Do not pre-drill as precise drilling of 1mm to 15mm holes can be performed after body shell painted.

RADIO PREPARATION

- A new battery must be charged before it is used. Refer to the charger instruction manual for charging.
- Set up the radio control system as indicated below.

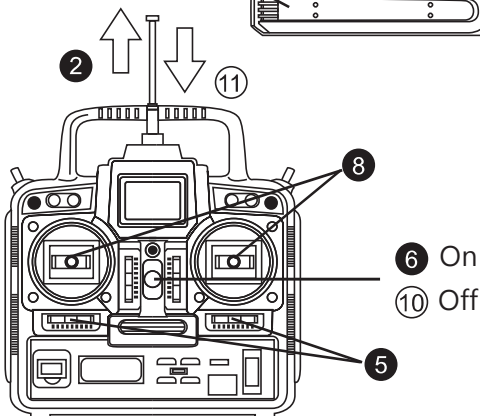


START

- 1 Install batteries.(Transmitter)
- 2 Extend the antenna.(Transmitter)
- 3 Connect the battery to the ESC.
- 4 Extend the antenna.(Receiver)
- 5 Center the trims.
- 6 Switch on both the transmitter and receiver.
- 7 Make sure the servos are in command.

FINISH

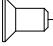
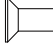
- 8 Switch off both the transmitter and receiver.
- 9 Retract the antenna. (Transmitter)

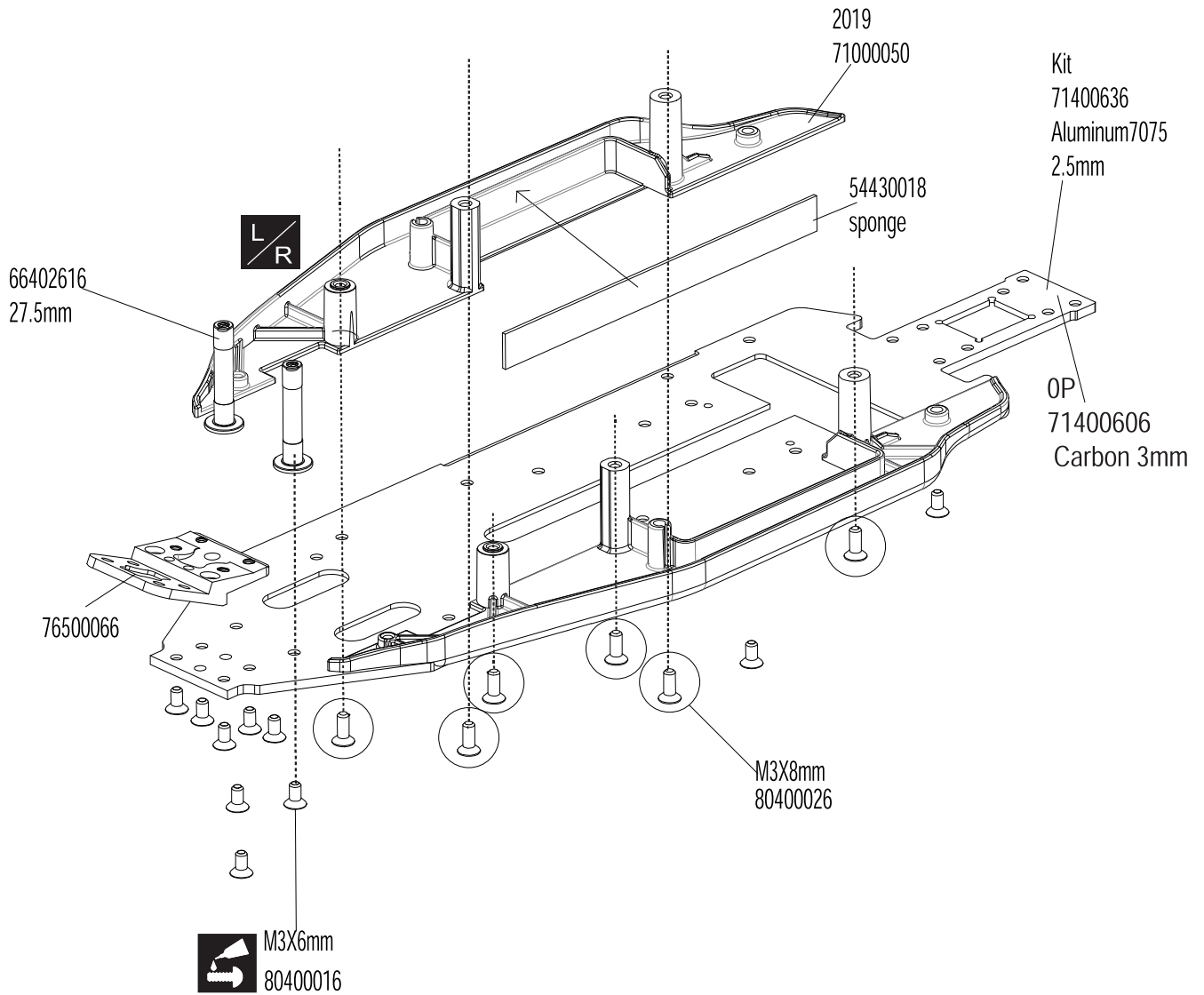




BAG
A


A1 Chassis Guard Installation


-  10
80400016
M3X6mm Flat Head Hex Screw
-  6
80400026
M3X8mm Flat Head Hex Screw

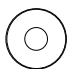


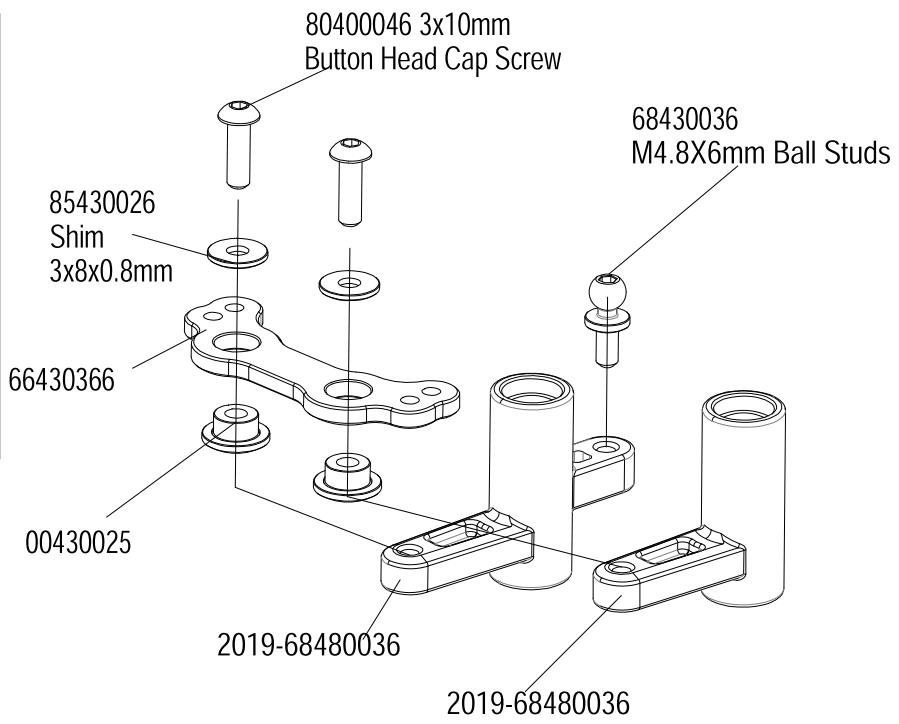


A2 Sewvo Saver


 1
 68430036
 M4.8X6mm Ball Studs

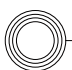
 2
 80400046
 Button Head Cap Screw

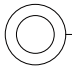
 2
 85430026
 Shim 3x8x0.8mm

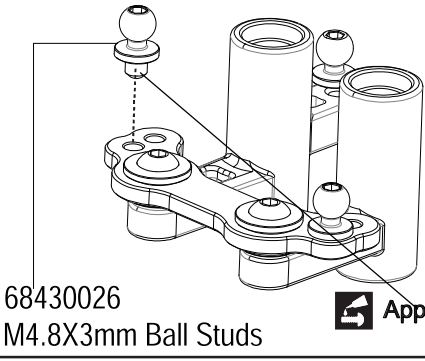
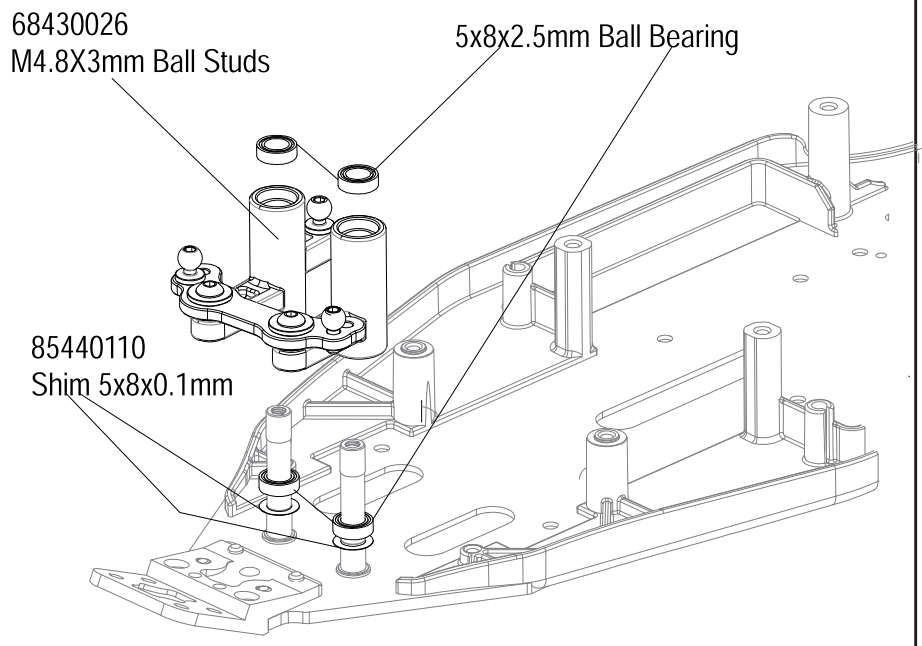


A3 Servo saver

 2
 68430026
 M4.8X3mm Ball Studs

 4
 66400756
 5x8x2.5mm Ball Bearing

 2
 85440110
 Shim 5x8x0.1mm



 Apply threadlocker (screw cement)



Part Bags used.



Do not over tighten.

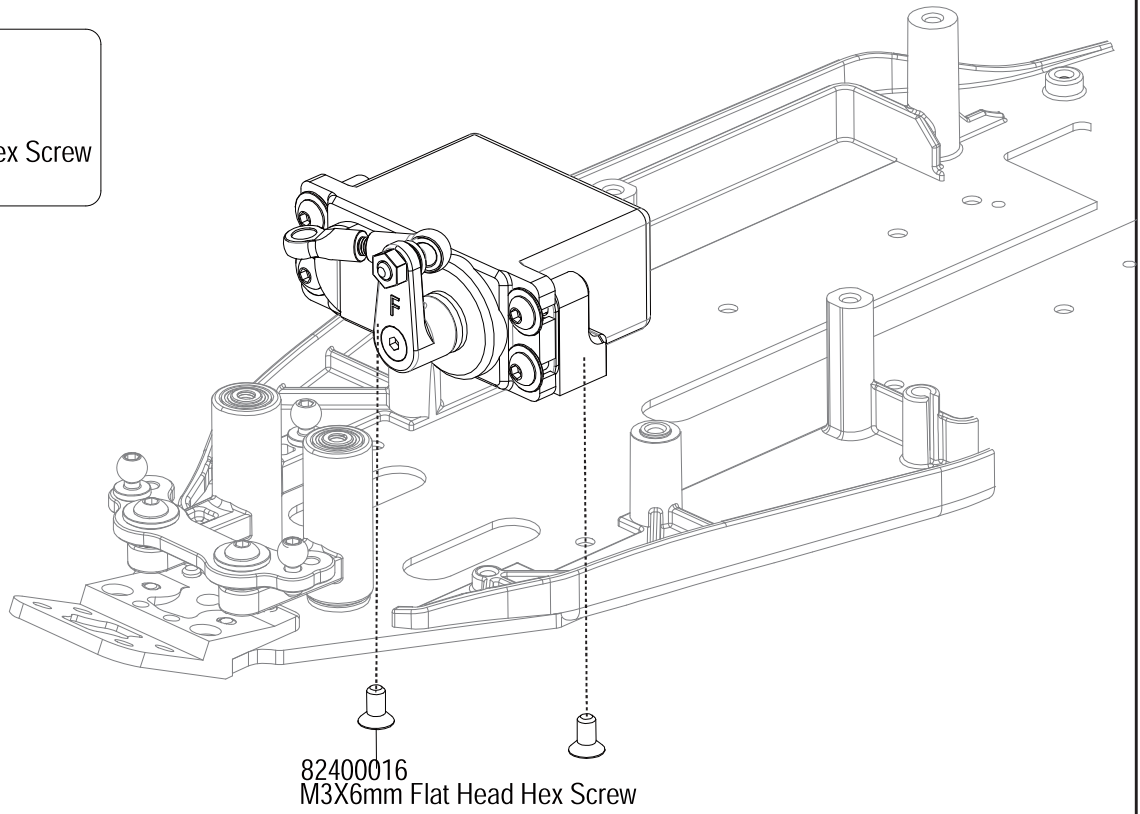


Apply threadlocker (screw cement)

A6 Steering Servo

BAG A

2
82400016
M3X6mm Flat Head Hex Screw



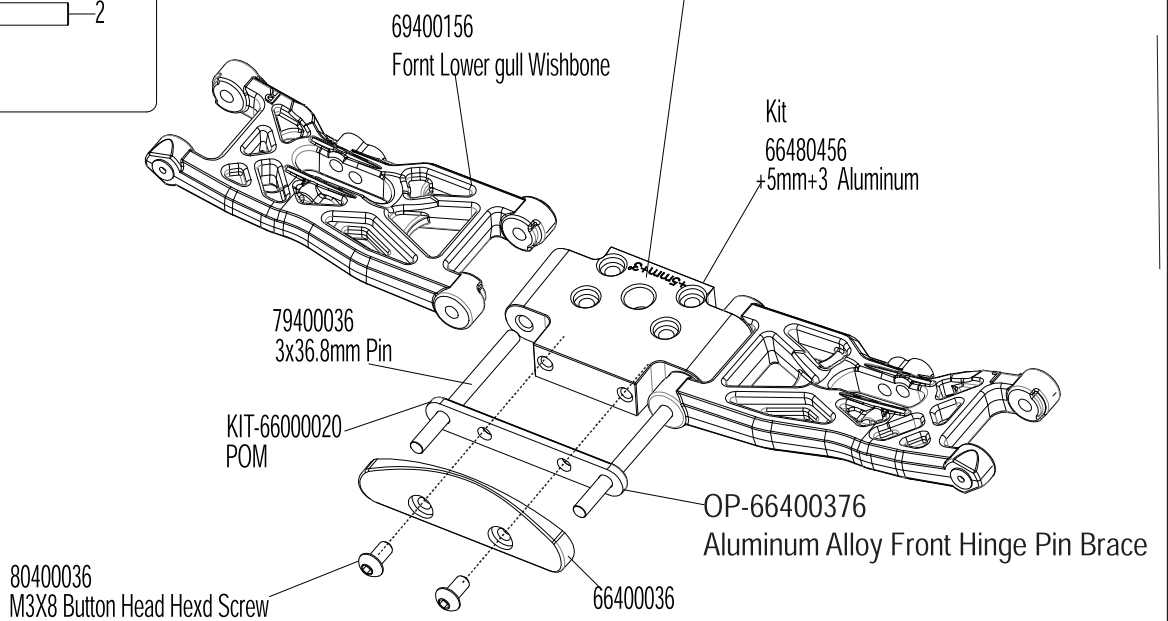
B1 Front Suspension

BAG B

2
80400036
M3X8 Button Head Hexd Screw

2
79400036
3x36.8mm Pin

- 66480476-0 Degree Aluminum Lower Swing Arm Mount(+5mm)
- 66481186-7 Degree Aluminium Lower Swing Arm Mount(+5mm)
- 66480146-3 Degree Aluminum Lower Swing Arm Mount(+0mm)
- 66480186-0 Degree Aluminum Lower Swing Arm Mount(+0mm)



B2 Front Spindle[Left Side]

BAG B

80400186
M2.5X6mm Button Head Cap Screw

87400066
M2X5mm Cap Screw

68430036
M4.8X6mm Ball Studs

83400106-M3 Lock Nut

66401686
Steering Screw Stepped

89430010
5x10x4mm Ball Bearing

85440310
Silver Aluminum Spacer 3*6*1mm

85440150
Shim 3x8x0.25mm

68430036
M4.8X6mm Ball Studs

85440310
Silver Aluminum Spacer
3*6*1mm

80400186
M2.5X6mm
Button Head Cap Screw

85440150
Shim
4x8x0.25mm

66480326
Aluminum
4°

66401686
Steering Screw Stepped

67400256

66481336

89430010
5x10x4mm Ball Bearing

79400086
2x10.8mm

87400066
M2X5mm Cap Screw

68440090
12x4.2mm

66480856

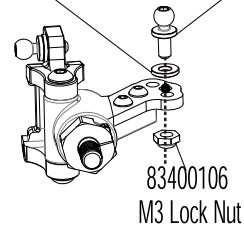
5x8x0.1mm
85440110

Please add it or not
according to the loose-tight.



85440310
Silver Aluminum
Spacer 3*6*1mm

68430036
M4.8X6mm



83400106
M3 Lock Nut

B3 Front Spindle(Right Side)

BAG B

80400186
M2.5X6mm Button Head Cap Screw

87400066
M2X5mm Cap Screw

68430036
M4.8X6mm Ball Studs

83400106-M3 Lock Nut

66401686
Steering Screw Stepped

89430010
5x10x4mm Ball Bearing

85440310
Silver Aluminum Spacer 3*6*1mm

85440150
Shim 4x8x0.25mm

5x8x0.1mm
85440110
Please add it or not
according to the loose-tight.

79400086
2x10.8mm

87400066
M2X5mm
Cap Screw

68440090
12x4.2mm

85440150
Shim
4x8x0.25mm

80400186
M2.5X6mm
Button Head
Cap Screw

66481336

89430010
5x10x4mm
Ball Bearing

66480856

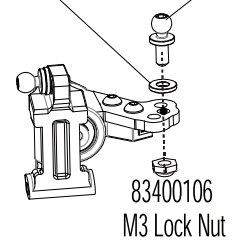
67400256

68430036
M4.8X6mm Ball Studs

66401686
Steering Screw Stepped

85440310
Silver Aluminum
Spacer 3*6*1mm

68430036
M4.8X6mm



83400106
M3 Lock Nut

85440310
Silver Aluminum
Spacer 3*6*1mm

66480326
Aluminum
4°

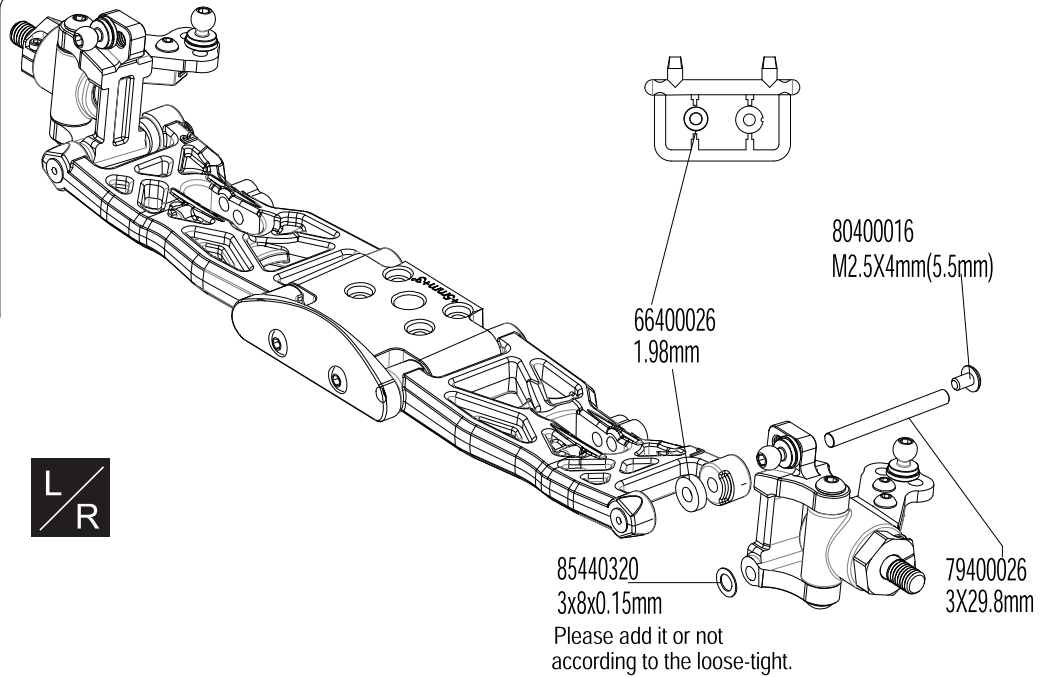




B4 Front Suspension(L&R)



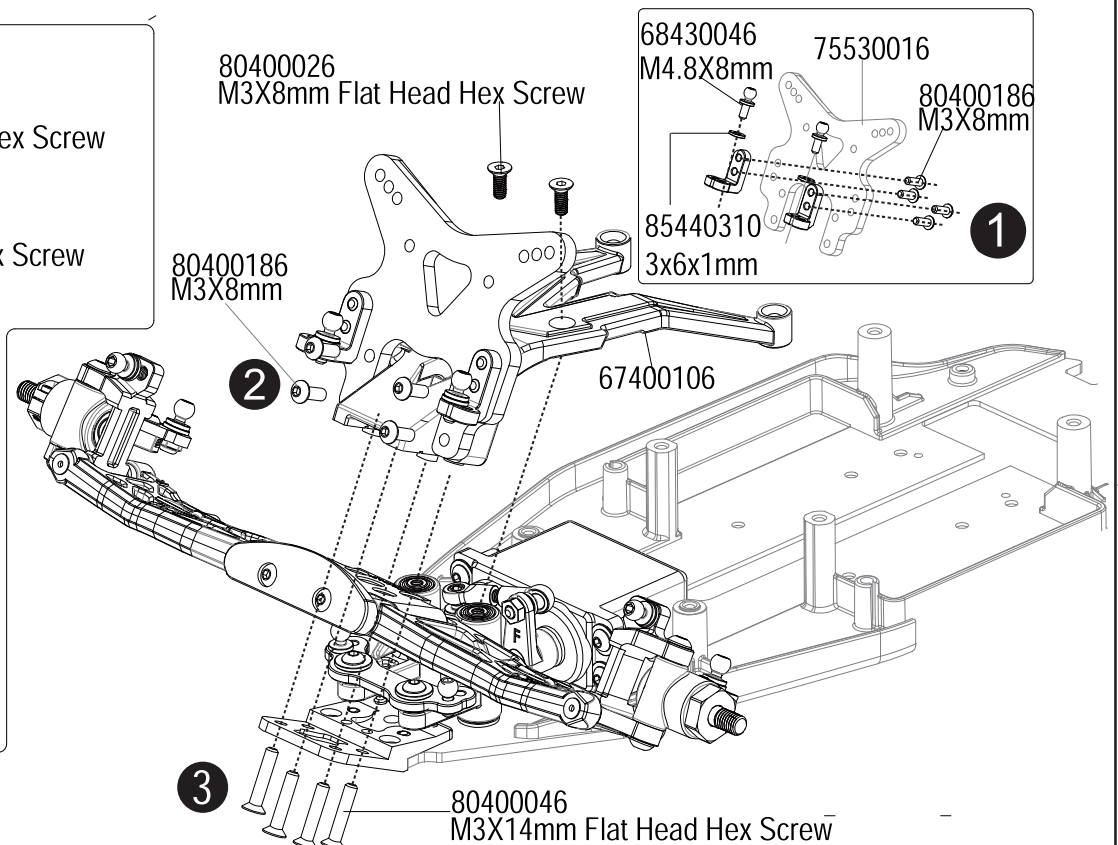
- 2
79400026
3X29.8 mm
- 2
80400016
M2.5X4mm(5.5mm)
- 2
85440320
3x8x0.15mm



B5 Front Shock Stay



- 4
80400046
M3X14mm Flat Head Hex Screw
- 2
80400026
M3X8mm Flat Head Hex Screw
- 8
80400186
M3X8mm Button Head Cap Screw
- 2
68430046
M4.8X8mm Ball Studs
- 2
85440310-3x6x1mm
Silver Aluminum Spacer





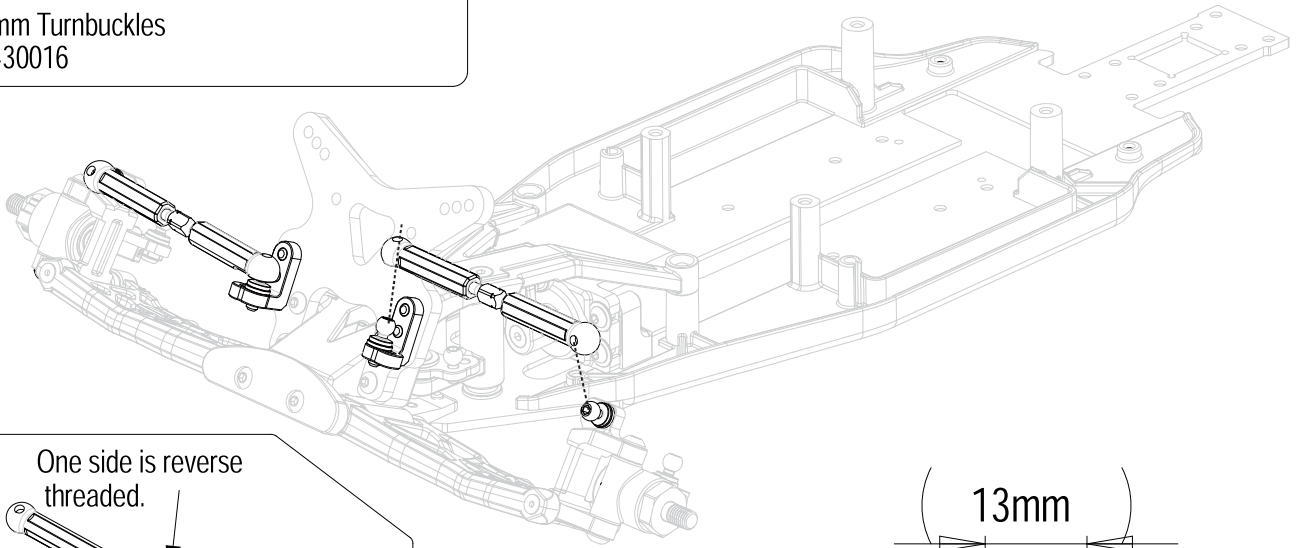
BAG B

B6 Front Upper Turnbuckle Assembly

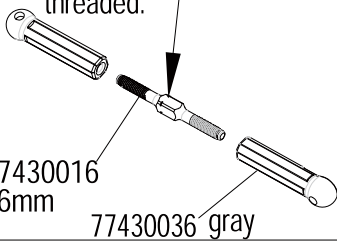
One side is reverse threaded.



36mm Turnbuckles
77430016



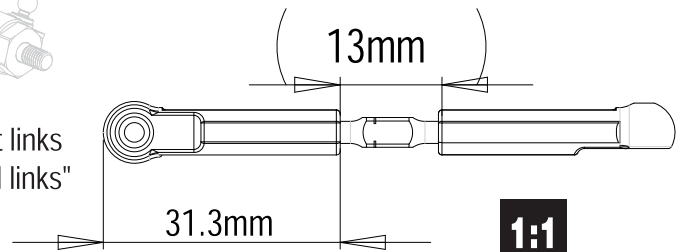
One side is reverse threaded.



77430016
36mm

77430036 gray

"Assemble 2 front links
and 2 steering rod links"



BAG B

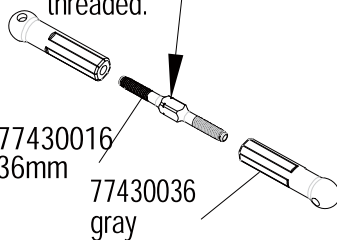
B7 Turnbuckle Assembly-Steering Rod

One side is reverse threaded.



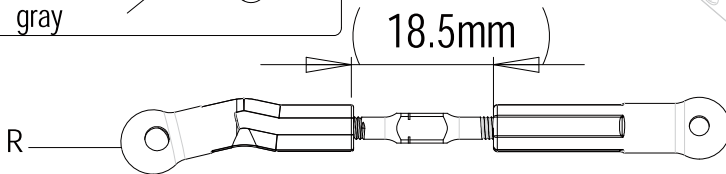
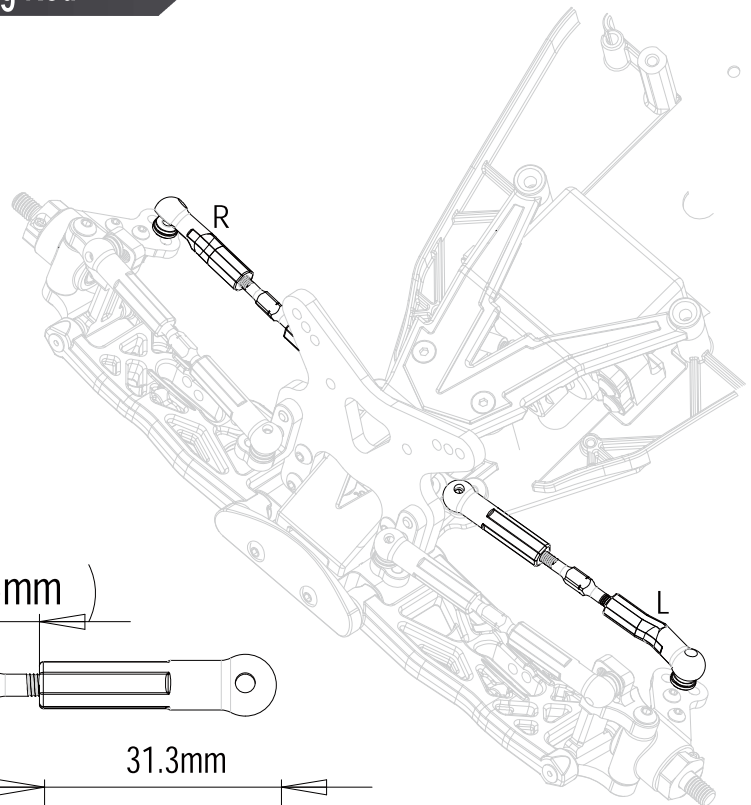
36mm Turnbuckles
77430016

One side is reverse threaded.

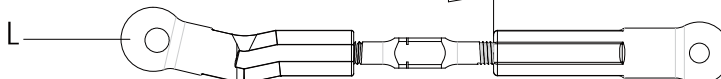


77430016
36mm

77430036
gray



1:1



"Assemble 2 front links
and 2 steering rod links"



B8 Rear Hud&Cvd

BAG B

87400066
M2X5mm Cap Screw

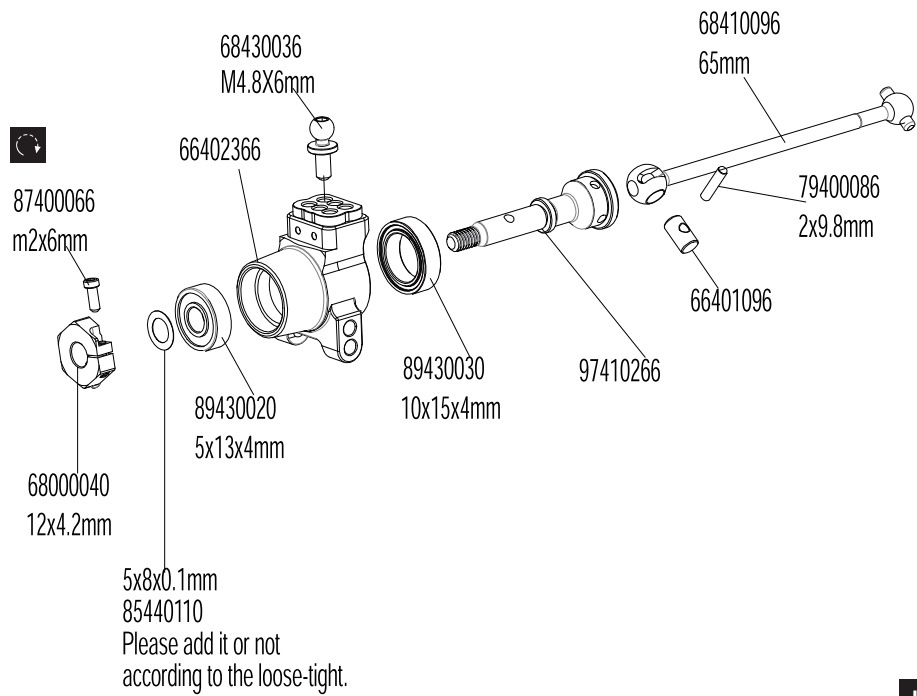
68430036
M4.8X6mm Ball Studs

85440110
Sihm 5x8x0.1mm

89430020
5x13x4mm Ball Bearing

89430030
10x15x4mm Ball Bearing

79400016
2x10.8mm



L/R

B9 Rear Hud (L&R)

BAG B

79400046
2X47.5mm

79400036
3X36.8mm

80400016
M2.5X4mm(5.5mm)

66430200

79400046
2X47.5mm

79400036
3X36.8mm

80400016
M2.5X4mm
(5.5mm)

80400016
M2.5X4mm(5.5mm)

66430200
3X6.6x0.98mm

69400176
3x7x2mm

Front

L/R

B10 Rear Suspension

BAG B

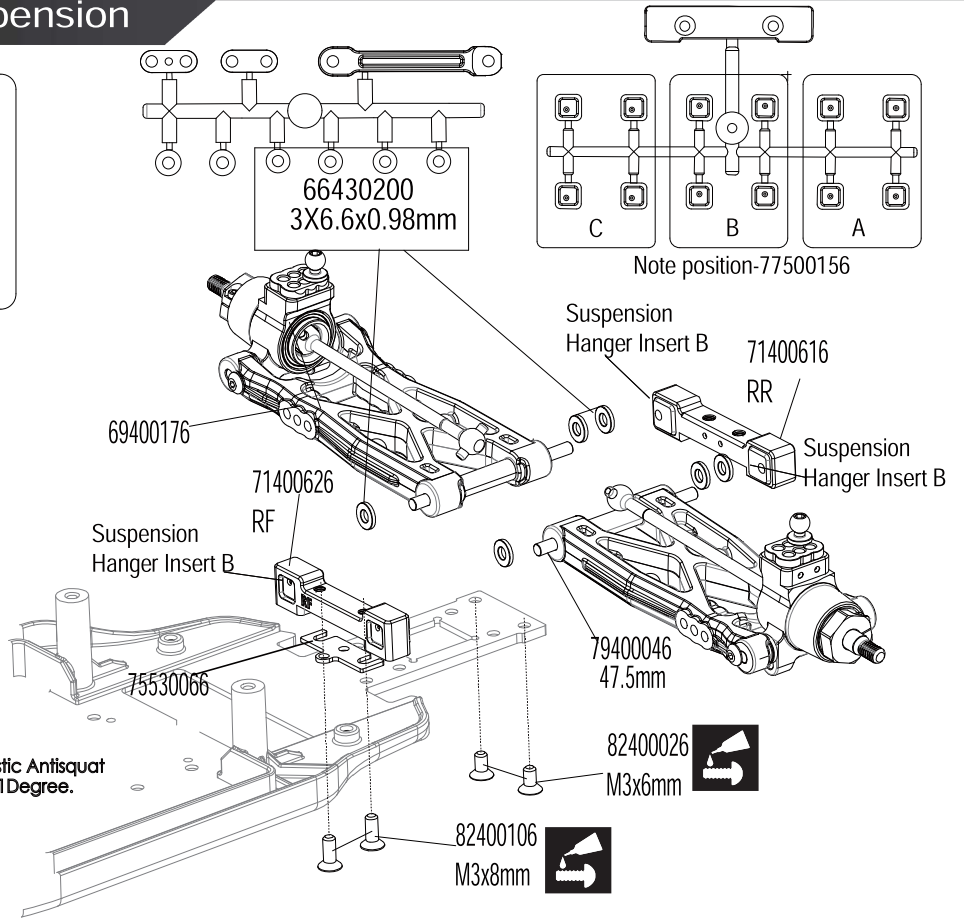
2
80400016
M3X6mm Flat Head Hex Screw

2
80400026
M3X8mm Flat Head Hex Screw

REAR HANGER INSERTS

RF	RR	TOE	SQUAT
☐	☐	+1.50	+0.58
☐	☐	+1.50	+1.85
☐	☐	+1.50	+2.83
☐	☐	+1.50	-0.85
☐	☐	+1.50	+0.58
☐	☐	+1.50	+1.85
☐	☐	+1.50	-2.83
☐	☐	+1.50	-0.85
☐	☐	+1.50	+0.58
☐	☐	+1.50	+0.58
☐	☐	+0.35	+0.58
☐	☐	+0.80	+0.58
☐	☐	+2.60	+0.58
☐	☐	+1.56	+0.58
☐	☐	+0.35	+0.58
☐	☐	+3.81	+0.58
☐	☐	+2.66	+0.58
☐	☐	+1.50	+0.58
☐	☐	+3.9	+3.0

S1V3R EVO Plastic Antisquat Shims=1mm=1.1Degree.



C1 Gear Differential

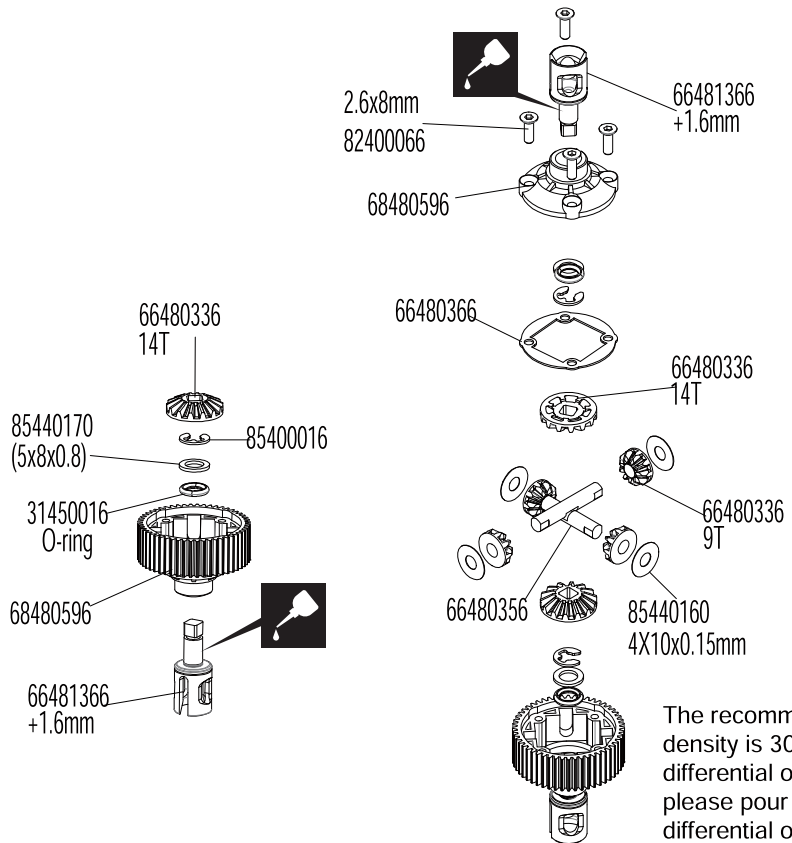
BAG C

4
M2.6X8mm Flat Head Screw
82400066

2
5X8x0.8mm Shim
85440170

4
4X10x0.15mm Shim
85440160

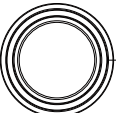
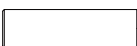
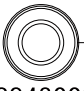
2
3.5mm
85400016

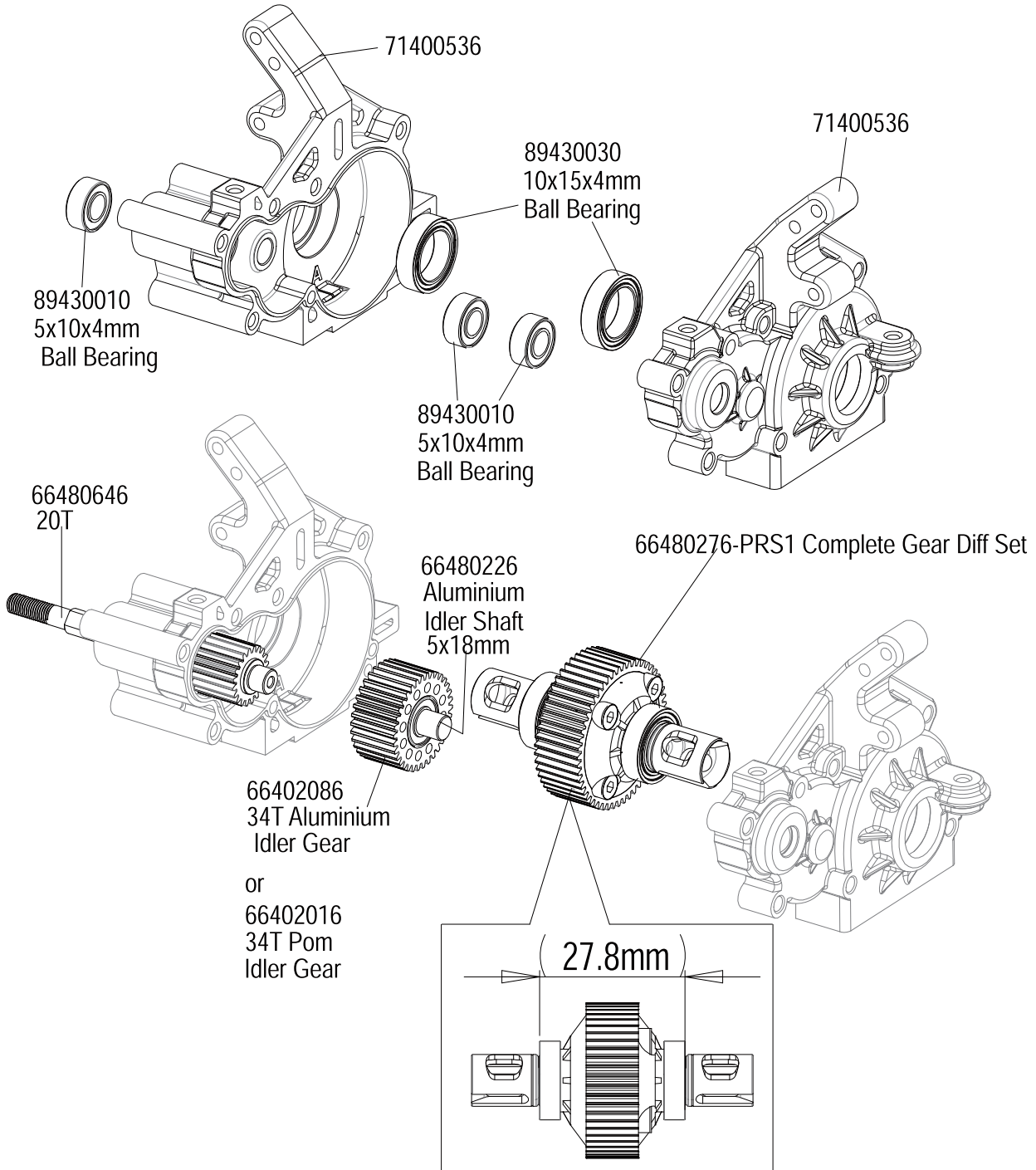


The recommendable density is 3000-5000 differential oil, please pour in the differential oil reached up to 80%.



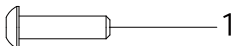
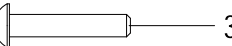
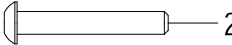
C2 Transmission Assembly

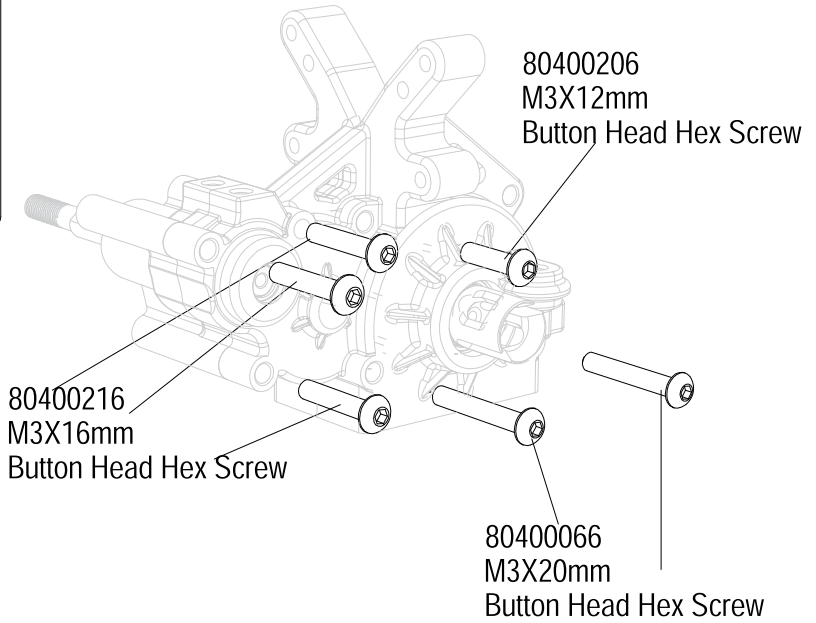
	2		1
89430030 10x15x4mm Ball Bearing		66480226-5x18mm Aluminium Idler Shaft	
	5		
89430010 5x10x4mm Ball Bearing			





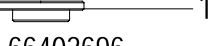
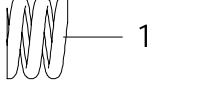


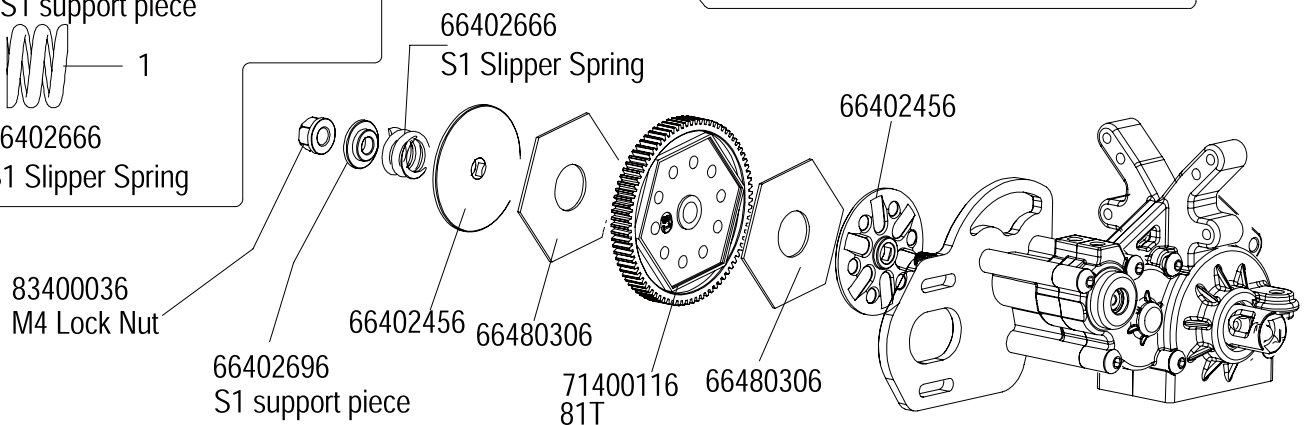
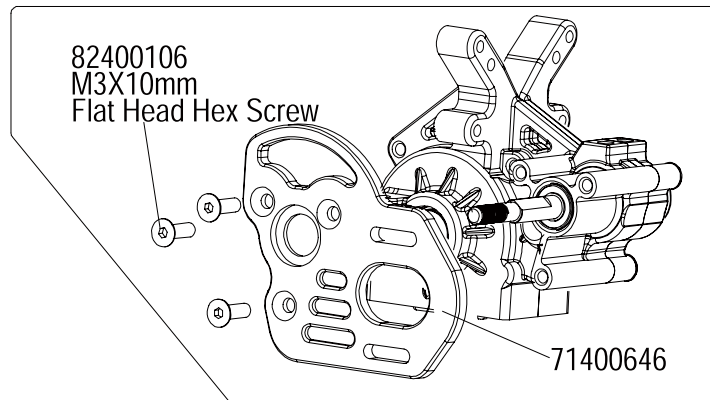
C3 Transmission Assembly

-  1
80400206
M3X12mm Button Head Hex Screw
-  3
80400216
M3X16mm Button Head Hex Screw
-  2
80400066
M3X20mm Button Head Hex Screw




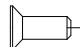
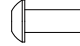
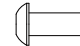

C4 Transmission Assembly

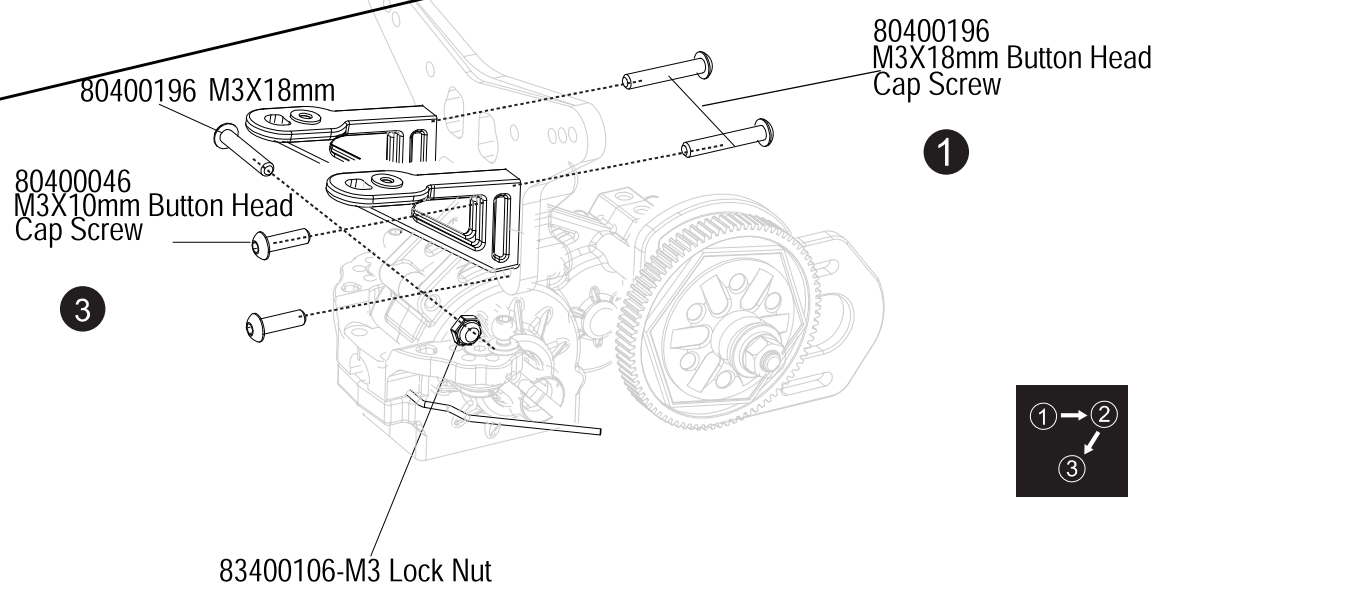
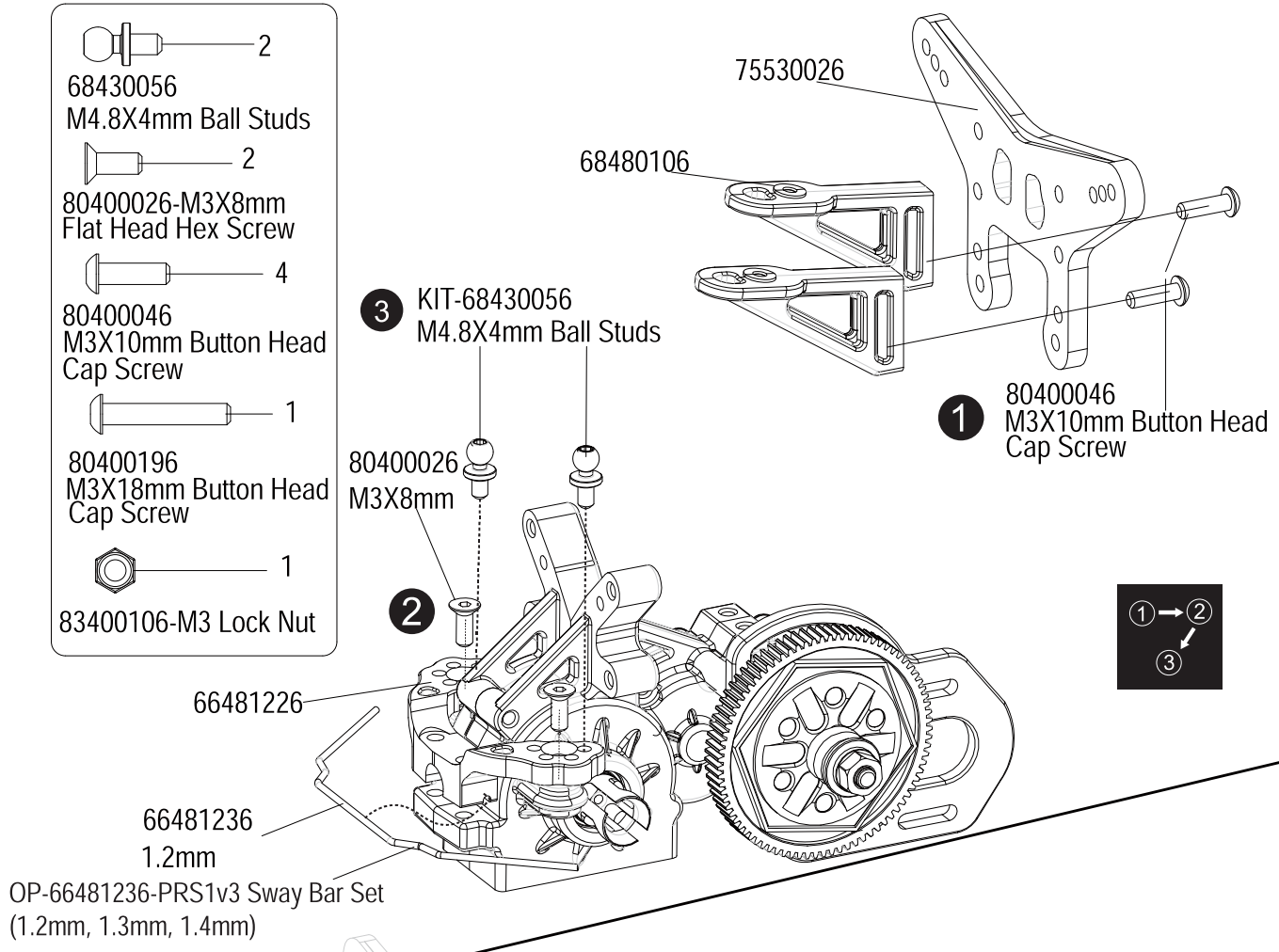
-  3
82400106
M3X10mm Flat Head Hex Screw
-  1
83400036-M4 Lock Nut
-  1
66402696
S1 support piece
-  1
66402666
S1 Slipper Spring





C5 Rear Shock Stay

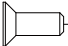

-  2
68430056
M4.8X4mm Ball Studs
-  2
80400026-M3X8mm
Flat Head Hex Screw
-  4
80400046
M3X10mm Button Head
Cap Screw
-  1
80400196
M3X18mm Button Head
Cap Screw
-  1
83400106-M3 Lock Nut



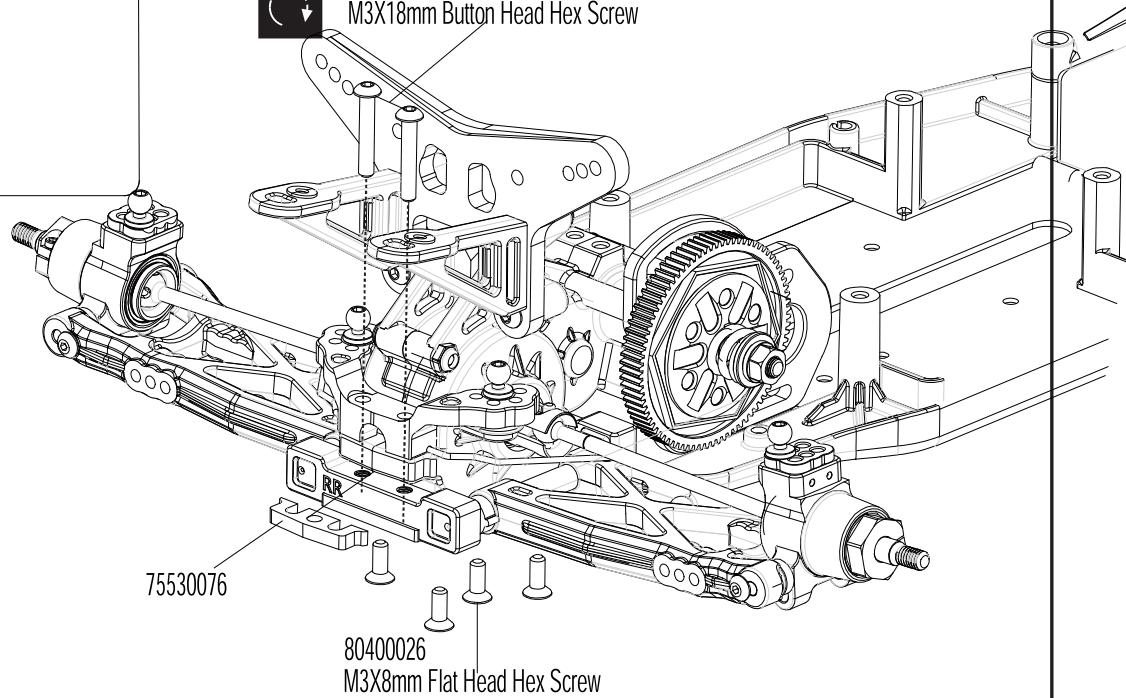


BAG C

C6 Rear Gear Box


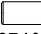

-  2
80400026
M3X8mm Flat Head Hex Screw
-  2
80400196
M3X18mm Button Head Hex Screw

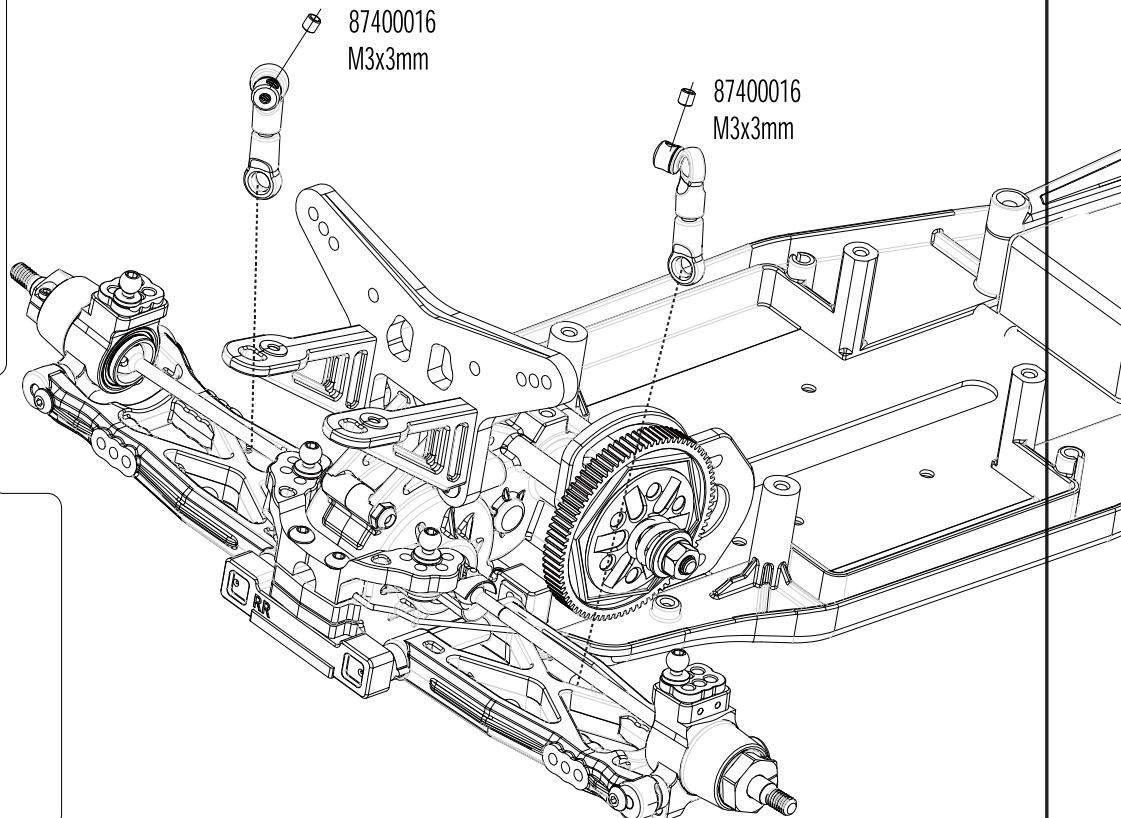
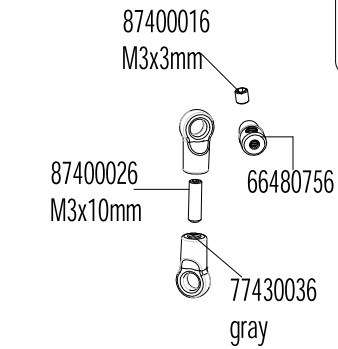
Do not over tighten.
 80400196
M3X18mm Button Head Hex Screw



BAG C

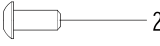
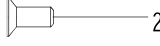
C7 Rear Suspension

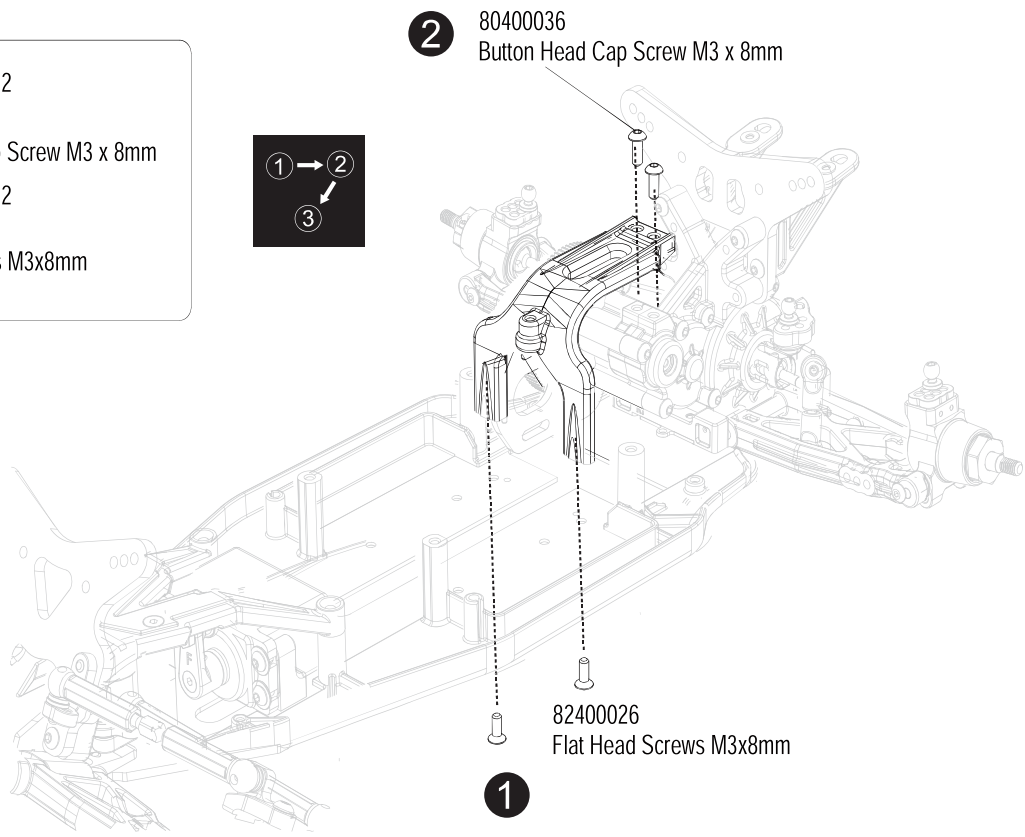
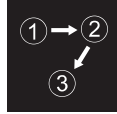
-  2
87400016
Set Screwm3x3mm
-  2
87400026
Set Screwm3x10mm
-  2
66480756
Anti-Roll bar Balls 2.1mm



C8 Rear Gear Box

BAG C

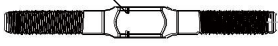
-  2
80400036
Button Head Cap Screw M3 x 8mm
-  2
82400026
Flat Head Screws M3x8mm



C9 Rear Upper Rod - Turnbuckle Assembly

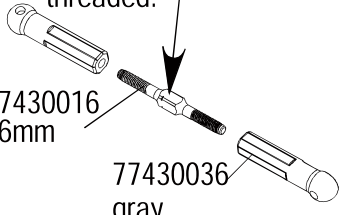
BAG C

One side is reverse threaded.



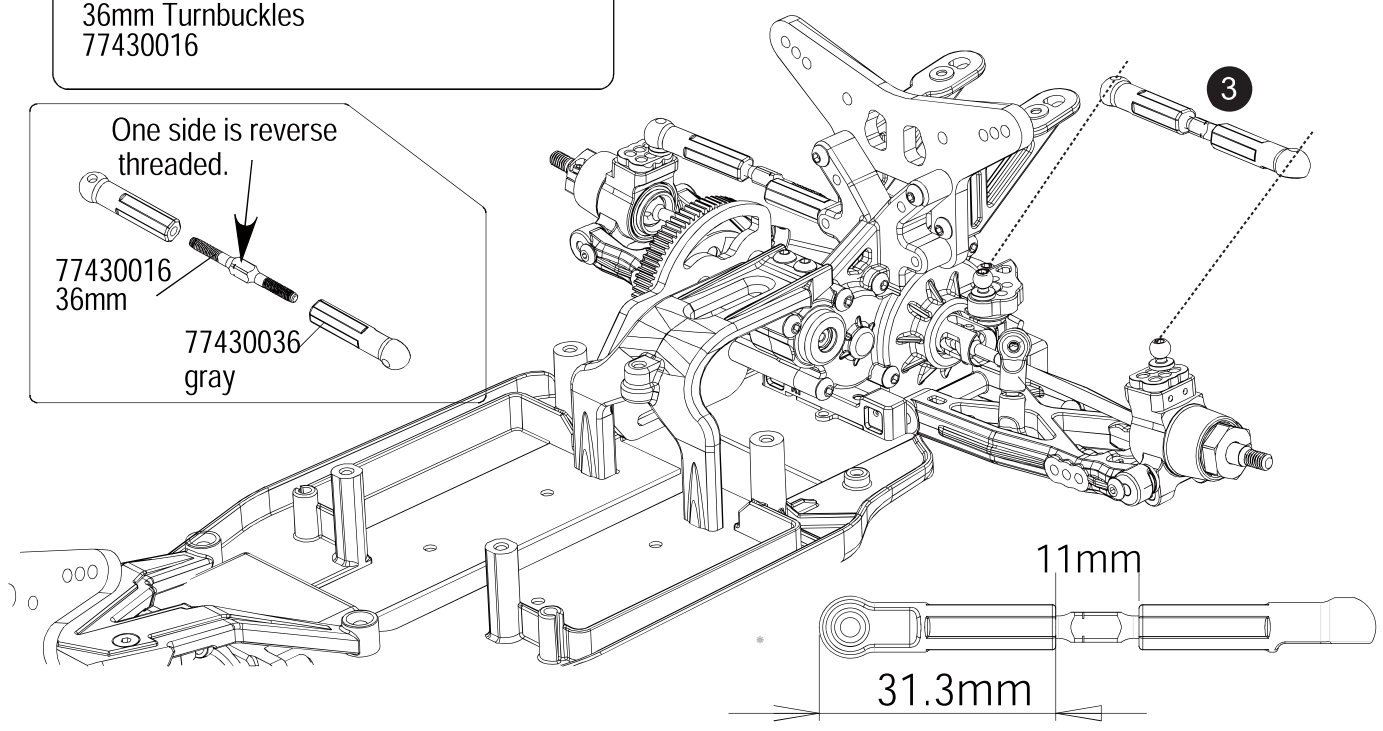
36mm Turnbuckles
77430016

One side is reverse threaded.



77430016
36mm

77430036
gray



Part Bags used.



Note the direction.



Assemble in the specified order.

D1 Shock Assembly



Front Shock Shaft 66400656 ----- 2

Rear Shock Shaft 66400666 ----- 2

55430076A-Black ----- 4
55430076B-White ----- 4

31280146 (14X1.2mm) ----- 4

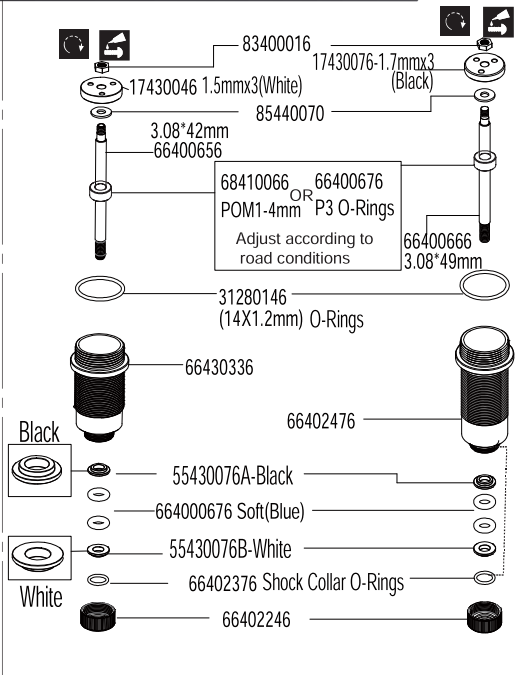
8 ----- 8

Threaded Shock Coller O-Rings (Need to soak silicone oil before) ----- 4
M2.6 Nut ----- 4
2.6x6x0.5mm Washer ----- 4

Shock Ball---4pcs ----- 4

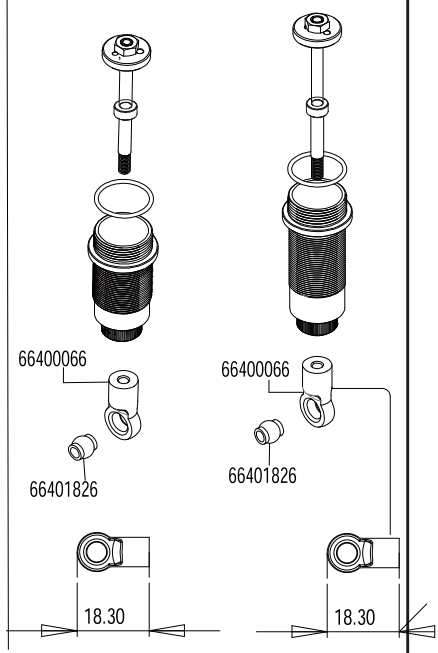
Shock Cartridge POM4mm 68410066 ----- 4

Shock Piston 17430046 1.5mmx3(White) ----- 2
Shock Piston 17430076-1.7mmx3 (Black) ----- 2



Front Buildx2

Rear Buildx2

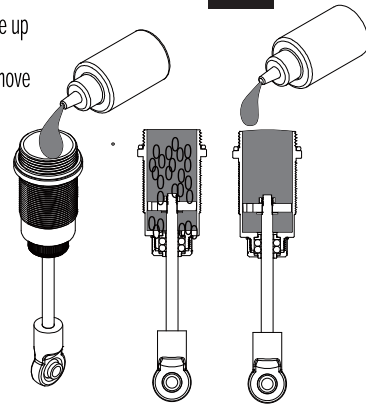


D2 Shock Assembly



1

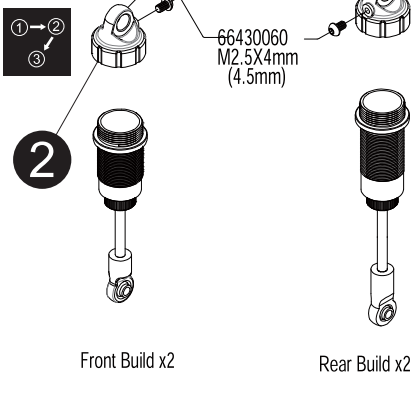
Slowly move up and down to remove air bubbles.



OP Shock Pistons

- 66480206-Machined Shock Pistons -1.3mm x 4 Hole (4pcs)
- 17430056-Machined Shock Pistons -1.4mm x 3 Hole (4pcs)
- 66400646-Machined Shock Pistons -1.4mm x 4 Hole (4pcs)
- 17430066-Machined Shock Pistons -1.6mm x 3 Hole (4pcs)
- 66480706-Machined Shock Pistons -1.6mm x 2 Hole (4pcs)
- 66480716-Machined Shock Pistons -1.7mm x 2 Hole (4pcs)
- 17430086-Machined Competition Shock Piston 0 Hole(4pcs)

3



D3 Shock Spring

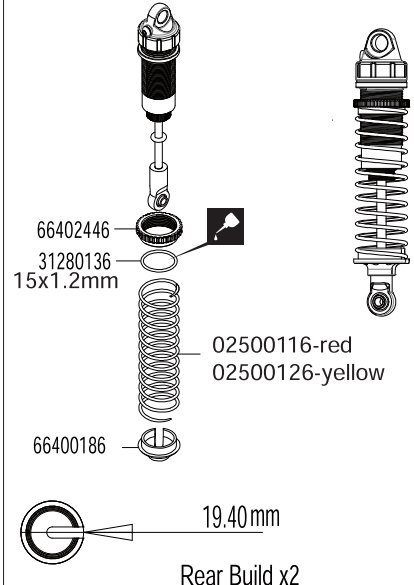
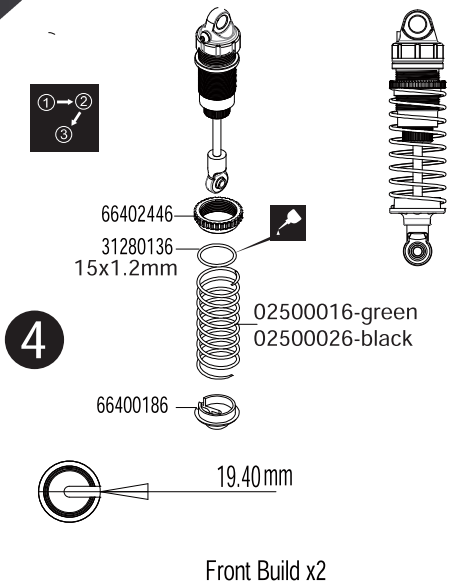


Front Shock Spring Set #71530016

Type R	Color	kg/mm	lbs/in
02500096	Transparent	0.053	2.97
02500106	Blue	0.058	3.25
02500146	White	0.061	3.42
02500116	Red	0.063	3.53
02500126	Yellow	0.068	3.81
02530016	Green	0.075	4.20
02530026	Black	0.080	4.48
02530036	Blue Red	0.085	4.76
02530046	White Yellow	0.090	5.04

OP Rear Shock Spring Set #71530026

02500056	Transparent	0.030	1.80
02500066	Blue	0.035	2.10
02500136	White	0.037	2.22
02500076	Red	0.040	2.40
02500086	Yellow	0.045	2.70
02530056	Green	0.050	3.00
02530066	Black	0.055	3.30
02530076	Blue Red	0.060	3.60
02530086	White Yellow	0.065	3.90



D4 Front Suspension

BAG D

80400076
Button Head Cap Screw M3 x25mm

80400196
Button Head Cap Screw M3 x18mm

23440350
OP tool
5.5mm

83480016
M3
80400076
M3 x25mm
69440010
69440010

80400196
M3 x18mm

Before using the plastic nut, drive the screw in and out a couple times before securing the nut onto the shock seat.

D5 Rear Suspension

BAG D

80400126
Button Head Cap Screw
M3 x28mm

82400046-Flat Head Screws
M3X14mm

69440010
83480016
M3
68410066
4mm
69440010

M3 x28mm

M3X14mm

Before using the plastic nut, drive the screw in and out a couple times before securing the nut onto the shock seat.

1.5mm 68410066 4mm



D6 Motor

BAG D



2

80400036
Button Head Cap Screw M3x8mm

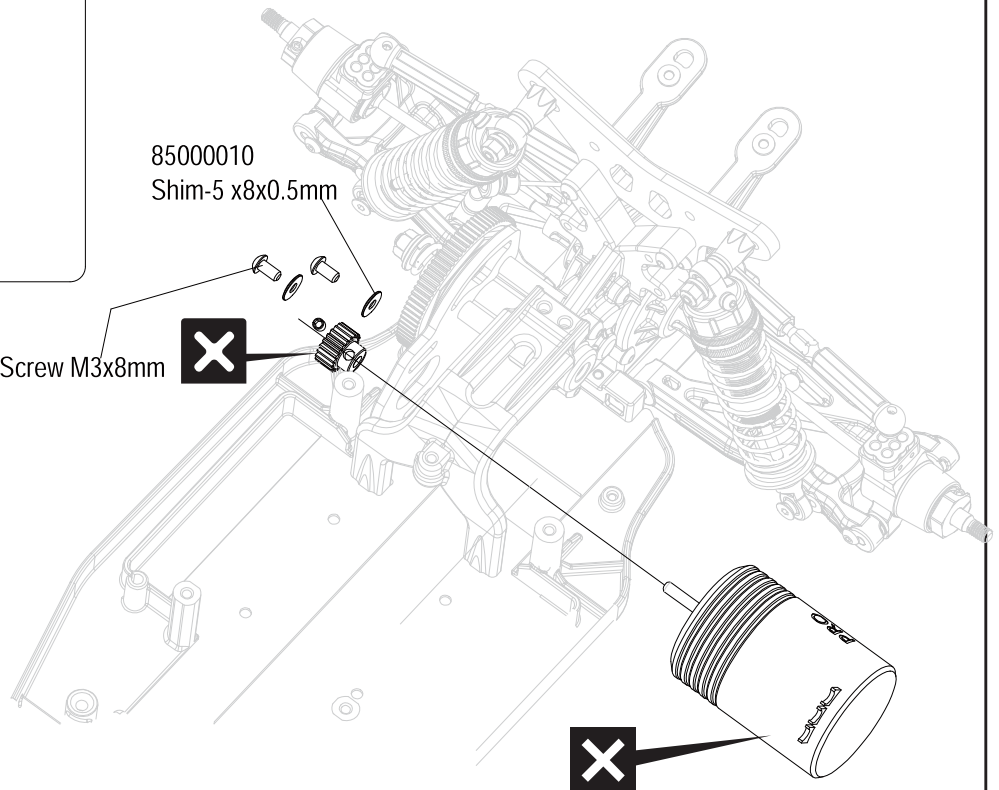


2

85000010
Shim-5 x8x0.5mm

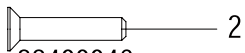
85000010
Shim-5 x8x0.5mm

80400036
Button Head Cap Screw M3x8mm



D7 BATTERY Plate

BAG D



2

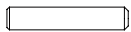
82400046
Flat Head Screws
M3X14mm



4

66481446
Battery retaining nut
+oring(Black)

74400016
Battery Retaining
Plate



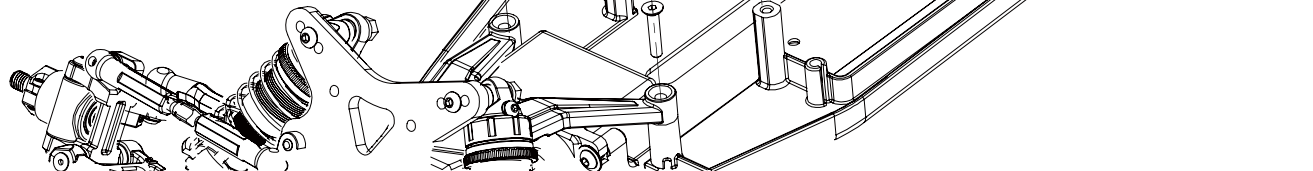
87400036
M3x16mm Set Screw

2.5x1.5mm oring

66481446
Battery retaining nut
+oring(Black)

82400046-Flat Head Screws
M3X14mm

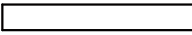
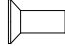
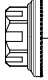
66481446



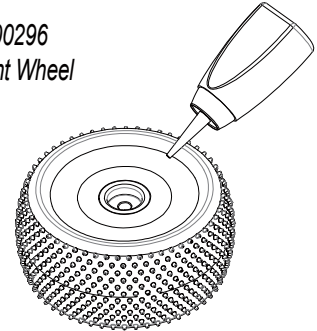
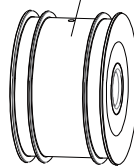
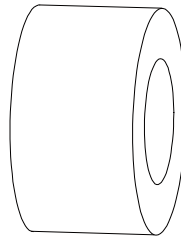
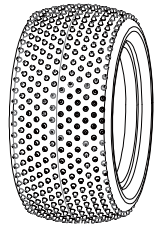


D8 Tires



-  4
99400056
Velcro Tape
-  2
82400026
Flat Head Screws M3x8mm
-  4
83400116
M5 Nut with 7mm Hex

Mounting Tires Wheel Installation 68400316 68400296
Rear Wheel Front Wheel



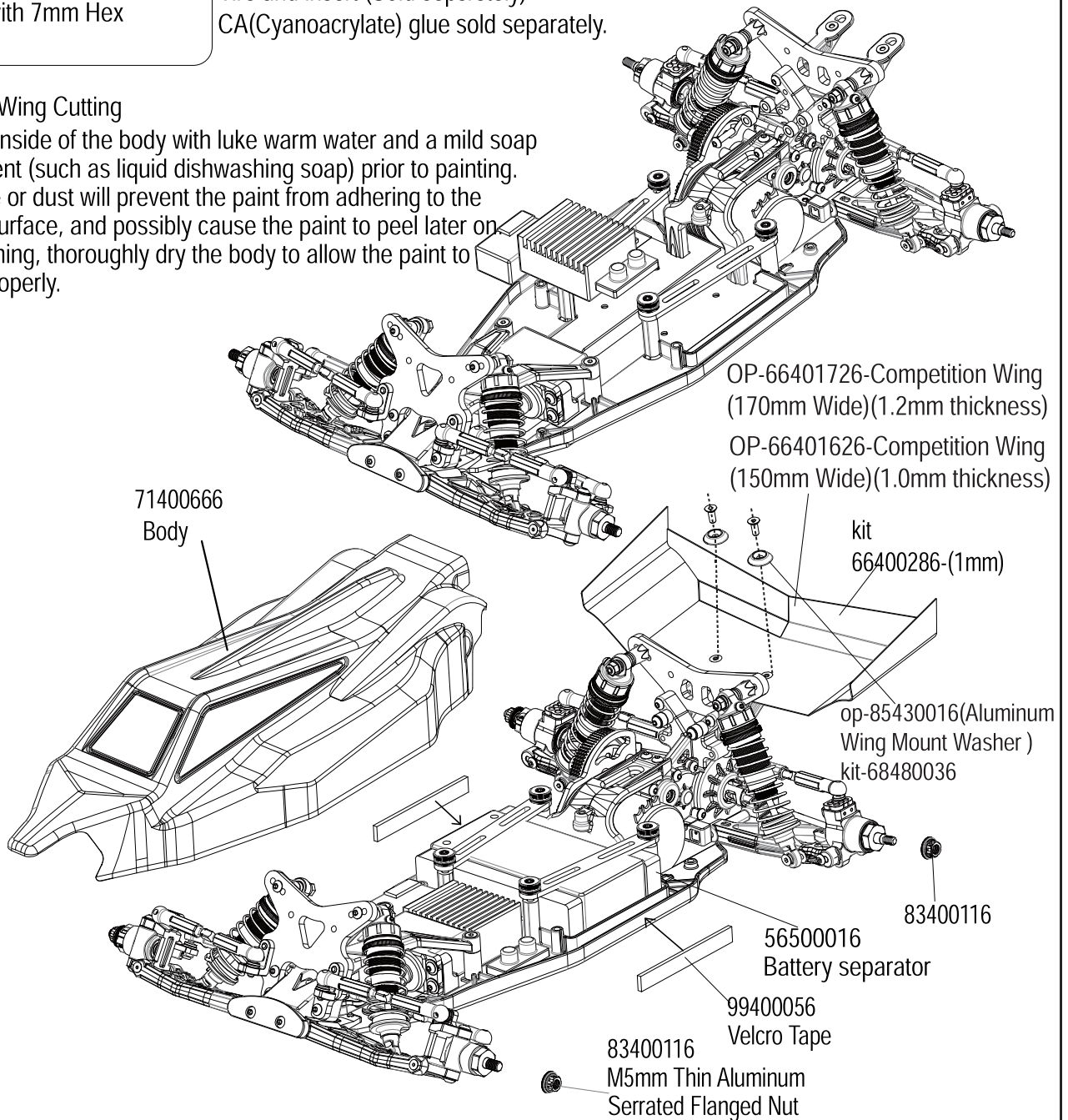
Place the tire insert into the tire and tire onto the wheel.

Tire and insert (Sold separately)
CA(Cyanoacrylate) glue sold separately.

Pull the sidewall of the tire slightly away from the rim and apply CA(Cyanoacrylate) glue in between the tire bead and rim

Body and Wing Cutting

Wash the inside of the body with luke warm water and a mild soap or detergent (such as liquid dishwashing soap) prior to painting. Oil residue or dust will prevent the paint from adhering to the painting surface, and possibly cause the paint to peel later on. After washing, thoroughly dry the body to allow the paint to adhere properly.



Purchase

1-10- For IFMAR Wheel Purchase

68400276-19x38mm 2WD Front Wheel 12mm*2pcs(Yellow)For IFMAR-#3
 68400286-26x38mm 2WD Front Wheel 12mm*2pcs(Yellow)For IFMAR-#4
 68400256-55x38mm 2WD+4WD Rear Wheels 12mm*2pcs(Yellow)For IFMAR-#1
 68400266-26x38mm 4WD Front Wheel 12mm*2pcs(Yellow)For IFMAR-#2
 68400296-19x38mm 2WD Front Wheel 12mm*2pcs(White)For IFMAR-#3
 68400306-26x38mm 2WD Front Wheel 12mm*2pcs(White)For IFMAR-#4
 68400316-55x38mm 2WD+4WD Rear Wheels 12mm*2pcs(White)For IFMAR-#1
 68400326-26x38mm 4WD Front Wheel 12mm*2pcs(White)For IFMAR-#2

68400336-19x38mm 2WD Front Wheel 12mm*8pcs(Yellow)For IFMAR-#3
 68400346-26x38mm 2WD Front Wheel 12mm*8pcs(Yellow)For IFMAR-#4
 68400376-55x38mm 2WD+4WD Rear Wheels 12mm*8pcs(Yellow)For IFMAR-#1
 68400386-26x38mm 4WD Front Wheel 12mm*8pcs(Yellow)For IFMAR-#2
 68400356-19x38mm 2WD Front Wheel 12mm*8pcs(White)For IFMAR-#3
 68400366-26x38mm 2WD Front Wheel 12mm*8pcs(White)For IFMAR-#4
 68400396-55x38mm 2WD+4WD Rear Wheels 12mm*8pcs(White)For IFMAR-#1
 68400406-26x38mm 4WD Front Wheel 12mm*8pcs(White)For IFMAR-#2

1-10- Tire Insert Purchase

33220126-1/10-2WD BuggyFront Tire Insert Light Weight Closed Cell x2pcs (BLUE)
 33220096-1/10-4WD BuggyFront Tire Insert Light Weight Closed Cell x2pcs (BLUE)
 33220116-1/10-2WD&4WD BuggyRear Tire Insert Light Weight Closed Cell x2pcs (BLUE)
 32430516-1/10 Buggy Memory Foam Insert Gray (Front)*2pcs
 32430526-1/10 Buggy Memory Foam Insert Gray (Back)*2pcs

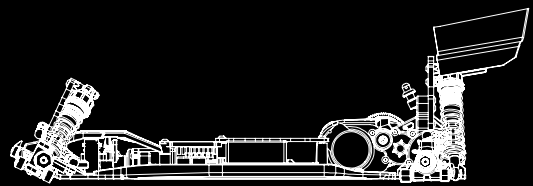
1-10- Buggy pro Tire Purchase

32500016-1601-1/10 2WD Front Racing Tyres (2pcs)
 32500026-1602-1/10 2WD Front Racing Tyres (2pcs)
 32500036-1603-1/10 4WD Front Racing Tyres (2pcs)
 32500046-1604-1/10 4WD Front Racing Tyres (2pcs)
 32500056-1605-1/10 2WD&4WD Rear Racing Tyres (2pcs)
 32500066-1606-1/10 2WD&4WD Rear Racing Tyres (2pcs)
 32500076-1607-1/10 2WD&4WD Rear Racing Tyres (2pcs)

PRSTV3(FM)

V3R **EVO**

1/10 ELECTRIC 2WD RACING PRO KIT



EMAIL / infopracing@gmail.com.tw