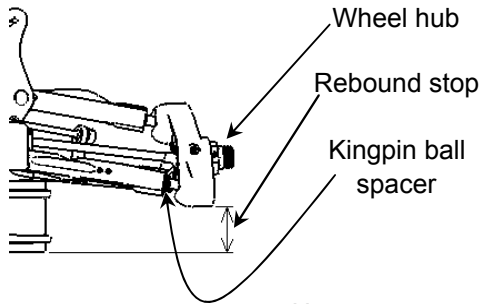


Name: _____
Date: _____
Track: _____

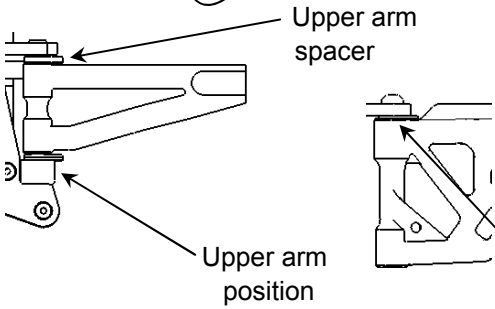
Track Conditions

Size: Open Med. Tight
 Traction: High Med. Low
 Surface: Smooth Med. Bumpy

Front Suspension



Kingpin ball spacer _____ mm
 Camber angle _____ °
 Upper arm spacer _____ mm
 Toe angle _____ °
 Rebound stop _____ mm
 Anti-roll bar φ _____ mm
 Wheel hub _____ mm
 Lower arm mount (Kick up) _____

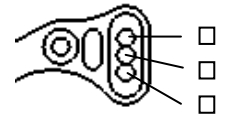


0
 1
 Lower arm plate (E0154A)
 Upper arm position(E0148B,E0148C)
 Lower arm spacer _____ mm

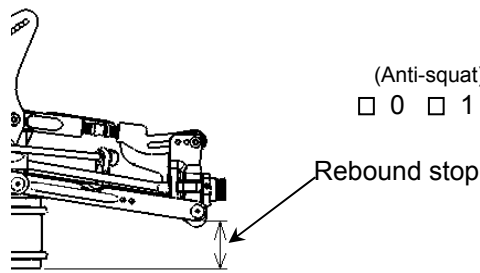
Front Shocks

Piston _____
 Oil # _____
 Spring _____
 Spring adj. _____ mm
 Shock position

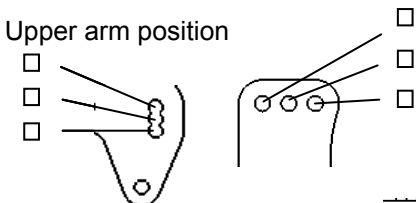
Steering Ackerman



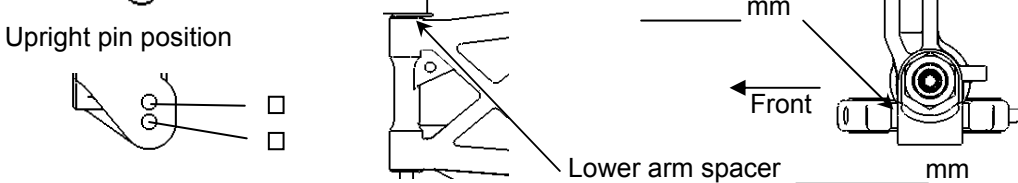
Rear Suspension



Camber angle _____ °
 Lower arm mount E0185 (Aluminium)
 Rebound stop _____ mm
 Anti-roll bar φ _____ mm
 Anti-squat (E0111C,E0111D) _____



Upright E0152
 E0173 (Aluminium)
 Wheelbase adjustment _____ mm



Rear Shocks

Piston _____
 Oil # _____
 Spring _____
 Spring adj. _____ mm
 Shock position

Wing Position



Power Train

Motor _____
 ESC _____
 Battery _____

Diff. Oil

Front # _____
 Center # _____
 Rear # _____
 O-Ring - pcs. Other _____
 - pcs. Other _____
 - pcs. Other _____

Tire

Front
 Type _____
 Foam _____
Rear
 Type _____
 Foam _____

Gearing

Pinion gear _____ T
 Spur gear _____ T

Result

Race time / Lap _____
 Best lap (1Lap) _____

Comments:

.....

