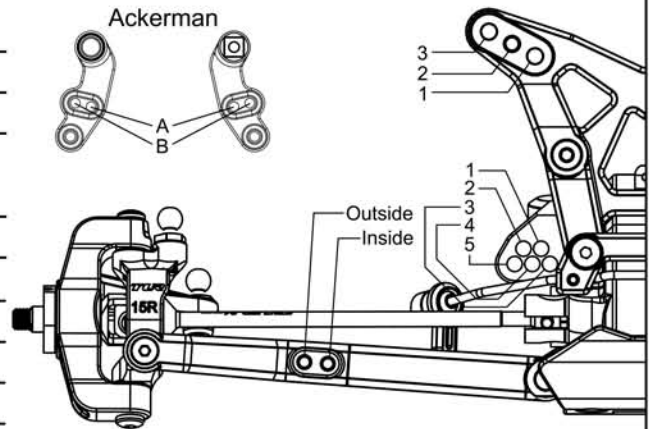


Name: Kenji Tsuruta		Date: 16/11/2014	Event: TRESREY ROUND-15
City:	State:	Track: TRS	
Track Conditions: <input type="checkbox"/> Indoor <input checked="" type="checkbox"/> Outdoor <input checked="" type="checkbox"/> Tight <input type="checkbox"/> Open <input type="checkbox"/> Smooth <input checked="" type="checkbox"/> Rough <input checked="" type="checkbox"/> Hard Packed <input type="checkbox"/> Loose/Loamy <input type="checkbox"/> Blue Groove <input checked="" type="checkbox"/> Dry <input type="checkbox"/> Wet <input checked="" type="checkbox"/> Dusty <input type="checkbox"/> Grass <input type="checkbox"/> Astro Turf <input type="checkbox"/> Low Bite <input checked="" type="checkbox"/> Med Bite <input type="checkbox"/> High Bite <input type="checkbox"/> Other _____			

**Front Suspension**

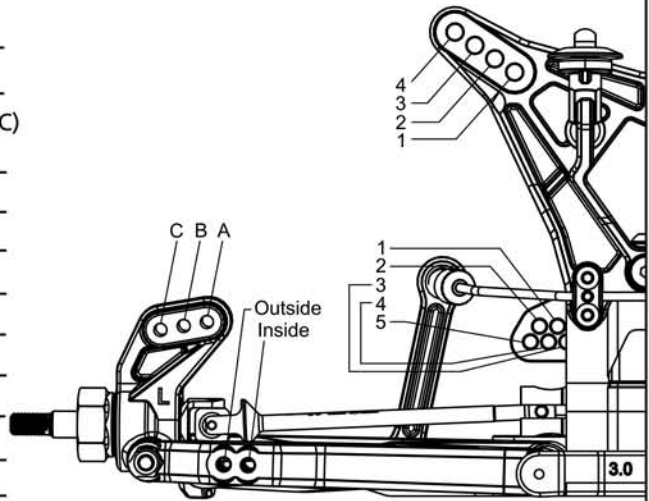
Toe: -1 degree  
 Ride Height: 21mm (body on)  
 Camber: -1 degree  
 Caster:  10°  15°  20°  
 Sway Bar: None  
 Oil: 30wt. TLR  
 Piston: 2 x 1.6mm (TLR233009)  
 Spring:  Standard  Low Freq. Color: Silver  
 Shock Limiters: 0  
 Shock Location: 1 - Outside  
 Bump Steer Ball Stud:  Standard  Low Mount  
 Bumper Steer Spacers: 1mm  
 Camber Link: 2  
 Ackermann: B



Notes: 2mm under the front caster block camber link ball stud.  
No clicker - Full Time 4wd Drive

**Rear Suspension**

Toe: 3 degrees  
 Anti-Squat: 3degrees  
 Roll Center:  Low Roll Center (LRC)  High Roll Center (HRC)  
 Ride Height: 23mm (body on)  
 Camber: -1.5degrees  
 Rear Hub Spacing: 2mm front, 2mm rear  
 Hex Width: +1.5mm(TLR332011)  
 Sway Bar: White  
 Oil: 25wt TLR  
 Piston: 2 x 1.7mm (TLR233010)  
 Spring:  Standard  Low Freq. Color: White  
 Shock Limiters: None  
 Camber Link: 4 - B  
 Shock Locations: 2 - Inside  
 Wing/Wickerbill: TLR 6.5", cut to the low line  
 Battery Position: Shorty



**Electronics**

Radio: <u>4PX</u>	Timing Advance: _____
Servo: <u>BLS471SV</u>	Throttle/Brake Expo: _____
ESC: <u>TRESREY SPC</u>	Servo Expo: _____
Initial Brake: _____	Throttle/Brake EPA: _____
Drag Brake: _____	Motor: <u>TRESREY V2 6.5T</u>
Throttle Profile: _____	Pinion: <u>19</u> Spur: <u>84</u>
	Battery: _____

Tires	Compound	Insert	Additive
Front: <u>Pro-Line Hole shot</u>	<u>M3</u>	_____	_____
Rear: <u>Pro-Line Hole shot</u>	<u>M3</u>	_____	_____
Notes: <u>TQ &amp; WIN</u>	_____		