

Name: 橋本 圭介		Date: 2014/03/29	Event:
City: _____ State: _____		Track: YATABEアリーナ	
Track Conditions	<input checked="" type="checkbox"/> Indoor <input type="checkbox"/> Tight <input type="checkbox"/> Smooth <input type="checkbox"/> Hard Packed <input type="checkbox"/> Blue Groove	<input type="checkbox"/> Wet <input type="checkbox"/> Grass <input type="checkbox"/> Low Bite <input type="checkbox"/> High Bite	
	<input type="checkbox"/> Outdoor <input type="checkbox"/> Open <input type="checkbox"/> Rough <input type="checkbox"/> Loose/Loamy <input type="checkbox"/> Dry	<input type="checkbox"/> Dusty <input checked="" type="checkbox"/> Astro Turf <input type="checkbox"/> Med Bite <input type="checkbox"/> Other _____	

**Front Suspension**

Toe: -1°

Ride Height: 17mm

Camber: -1°

Caster:  10°  15°  20°

Sway Bar: No

Oil: 40

Piston: 1.3X2

Spring:  Standard  Low Freq. Color: Silver

Shock Limiters: 2mm

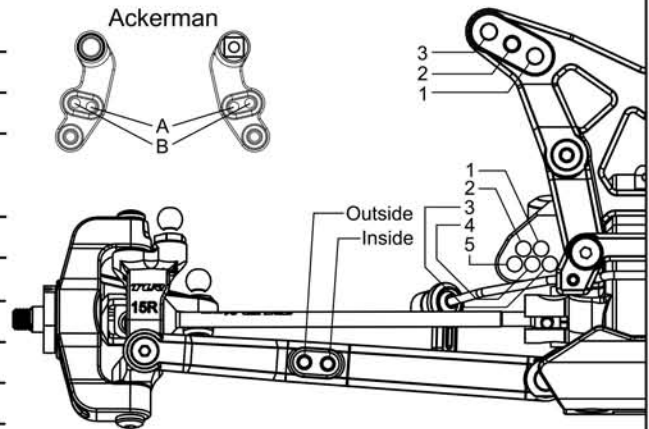
Shock Location: 3-inside

Bump Steer Ball Stud:  Standard  Low Mount

Bumper Steer Spacers: 0

Camber Link: 1

Ackermann: B



Notes: TLR234025, TLR331012, TLR334009

TLR334012を使用

**Rear Suspension**

Toe: 3°

Anti-Squat: 3°

Roll Center:  Low Roll Center (LRC)  High Roll Center (HRC)

Ride Height: 17mm

Camber: -1°

Rear Hub Spacing: Middle

Hex Width: +1.5mm

Sway Bar: 1.4mm

Oil: 37.5

Piston: 1.5X2

Spring:  Standard  Low Freq. Color: Red

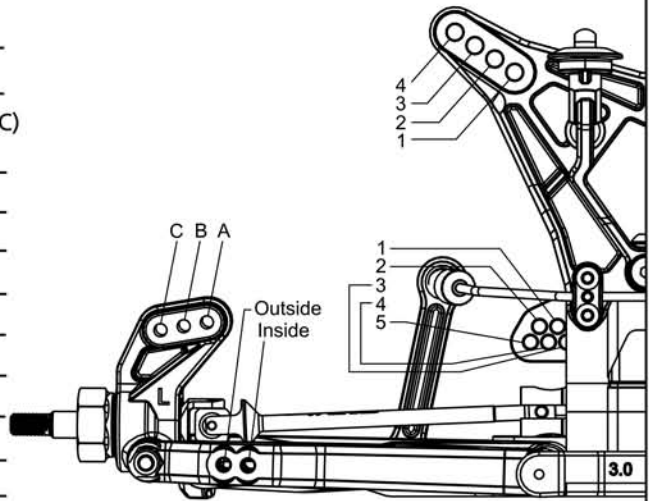
Shock Limiters: 3mm

Camber Link: 2-B

Shock Locations: 3-inside

Wing/Wickerbill: 6.5

Battery Position: \_\_\_\_\_



**Electronics**

Radio: <u>4PKS-R</u>	Timing Advance: _____
Servo: <u>BLS451</u>	Throttle/Brake Expo: _____
ESC: <u>REVENTON-PRO</u>	Servo Expo: _____
Initial Brake: _____	Throttle/Brake EPA: _____
Drag Brake: _____	Motor: <u>SP 5.5R</u>
Throttle Profile: _____	Pinion: <u>17</u> Spur: <u>84</u>
	Battery: <u>LRP5800</u>

Tires	Compound	Insert	Additive
Front: <u>YAU-6607</u>	<u>Yellow</u>	<u>AKA</u>	_____
Rear: <u>YAU-6608</u>	<u>Yellow</u>	<u>AKA</u>	_____

Notes: TLR332011, TLR334008, TLR334006を使用