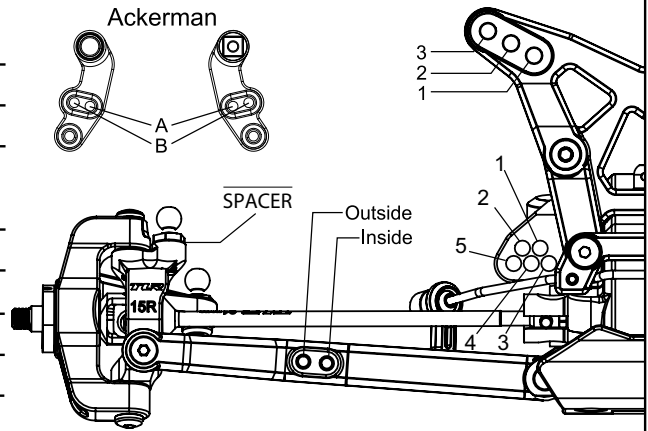


Name: _____ Date: _____ Event: _____
 City: _____ State: _____ Track: _____

Track Conditions: Indoor Outdoor Tight Open Smooth Rough Hard Packed Loose/Loamy Blue Groove Dry Wet Dusty Grass Astro Turf Low Bite Med Bite High Bite Other _____

Front Suspension

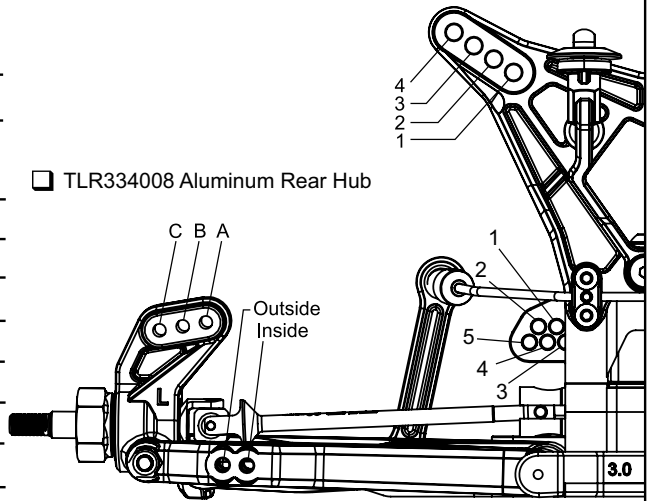
Toe: _____
 Ride Height: _____
 Camber: _____
 Caster: 10° 15° 20°
 Sway Bar: _____
 Oil: _____
 Piston: _____
 Spring: Standard Low Freq. Color: _____
 Shock Limiters: _____
 Shock Location: _____
 Bump Steer Ball Stud: Standard Low Mount
 Bumper Steer Spacers: _____
 Camber Link: _____
 Ackermann: _____
 Notes: _____



- TLR331012 Aluminum Servo Mount
- TLR334007 Aluminum Front Spindle
- TLR334009 Aluminum Steering Bellcrank

Rear Suspension

Toe: _____
 Anti-Squat: _____
 Roll Center: Low Roll Center (LRC) High Roll Center (HRC)
 Ride Height: _____
 Camber: _____
 Rear Hub Spacing: _____
 Hex Width: _____
 Sway Bar: _____
 Oil: _____
 Piston: _____
 Spring: Standard Low Freq. Color: _____
 Shock Limiters: _____
 Camber Link: _____
 Shock Locations: _____
 Wing/Wickerbill: _____
 Battery Position: _____
 Notes: _____



- TLR334008 Aluminum Rear Hub

Tires

	Front	Rear
Tire:	_____	_____
Insert:	_____	_____
Wheel:	_____	_____
Notes:	_____	

Electronics

Radio: _____
 Servo: _____
 Motor: _____
 Pinion: _____
 Spur: _____
 Battery: _____
 Timing Advance: _____
 Th/Brake EPA: _____
 Th/Brake Expo: _____
 Servo Expo: _____

Team Orion R10 Setup

Running Mode: _____
 Drag Brake: _____
 Voltage Protection: _____
 DRRS Punch: _____
 Brake Force: _____
 Reverse Force: _____
 Initial Brake: _____
 Neutral Range: _____
 Overheat Protection: _____
 Boost Timing: _____
 Turbo Timing: _____
 Turbo Slope: _____
 Turbo Delay: _____