

Name: _____	Date: _____
City: _____	Event: _____
State: _____	Track: _____

Track Conditions: Indoor Tight Smooth Hard Packed Blue Groove Wet Grass Low Bite High Bite
 Outdoor Open Rough Loose/Loamy Dry Dusty Astro Turf Med Bite Other _____

FRONT SUSPENSION

Toe: _____

Ride Height: _____ Camber: _____

Caster: 0° 5°

Kick Angle: 20° 25° 30°

VLA Setting: Short Arm Long Arm

Oil: _____

Piston: _____

Spring: Standard Low Freq. Color: _____

Front Pivot: Aluminum Plastic HRC

Kick Shim: Brass Plastic

Shock Limiters: _____ Stroke: _____

Shock Location: _____

Steering Type: Slide Rack Bell Cranks Aluminium

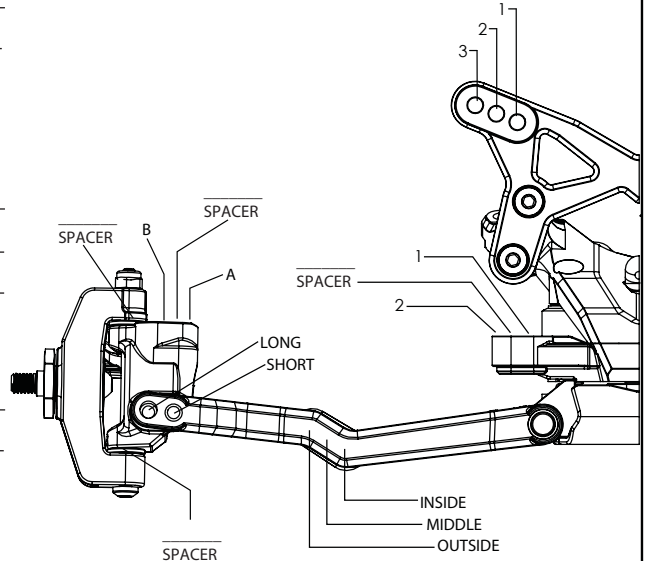
Spindle Ball Stud: Standard Low Mount

Bumper Steer Spacers: _____

Ackermann Ball Stud: Standard Low Mount

Ackermann Spacers: _____

Camber Link: _____



Notes: _____

REAR SUSPENSION

Transmission Type: 3-Gear 4-Gear Laydown

Toe Inserts: 0.5° 1° 1.5° 2° 2.5° 3° 3.5° 4°

Anti-Squat Inserts: 0° .5° 1° 1.5° 2° 2.5° 3°

Roll Center: Low Roll Center (LRC) High Roll Center (HRC)

Ride Height: _____ Camber: _____

Rear Hub Spacing: _____

Hex Width: _____

Sway Bar: _____

Oil: _____

Piston: _____

Spring: Standard Low Freq. Color: _____

Shock Limiters: _____ Stroke: _____

Shock Location: _____

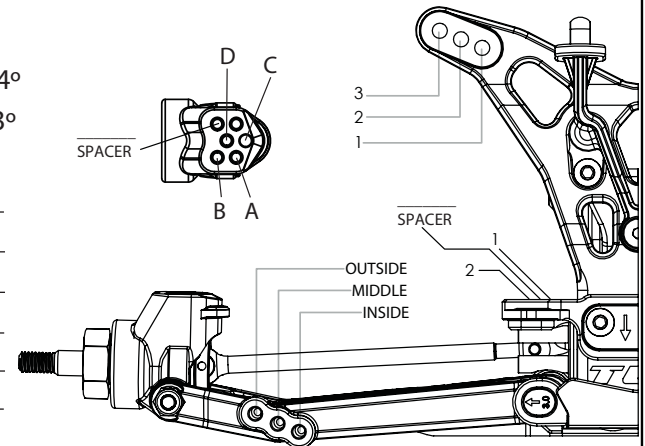
Inner Link Spacer: -1mm 0mm +1mm

Camber Link: _____

Differential: Ball Gear Oil: _____

Wing/Wickerbill: _____

Battery Position: _____



ELECTRONICS

Timing Advance: _____

Radio: _____ Throttle/Brake Expo: _____

Servo: _____ Servo Expo: _____

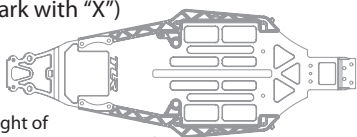
ESC: _____ Throttle/Brake EPA: _____

Initial Brake: _____ Motor: _____

Drag Brake: _____ Pinion: _____ Spur: _____

Throttle Profile: _____ Battery: _____

Weight Placement
(Mark with "X")



Weight of each piece _____ oz./g

TIRES

Compound _____

Insert _____

Additive _____

Front: _____

Rear: _____

Notes: _____