

Name: _____		Date: _____		Event: _____	
City: _____		State: _____		Track: _____	
Track Conditions	<input type="checkbox"/> Indoor	<input type="checkbox"/> Tight	<input type="checkbox"/> Smooth	<input type="checkbox"/> Hard Packed	<input type="checkbox"/> Blue Groove
	<input type="checkbox"/> Outdoor	<input type="checkbox"/> Open	<input type="checkbox"/> Rough	<input type="checkbox"/> Loose/Loamy	<input type="checkbox"/> Dry
				<input type="checkbox"/> Wet	<input type="checkbox"/> Grass
				<input type="checkbox"/> Dusty	<input type="checkbox"/> Astro Turf
					<input type="checkbox"/> Low Bite
					<input type="checkbox"/> High Bite
					<input type="checkbox"/> Med Bite
					<input type="checkbox"/> Other _____

**Front Suspension**

Toe: \_\_\_\_\_

Ride Height: \_\_\_\_\_

Camber: \_\_\_\_\_

Caster:  0°  5°      Trail:  2mm  4mm

Kick Angle:  20°  25°  30°

Sway Bar: \_\_\_\_\_

Oil: \_\_\_\_\_

Piston: \_\_\_\_\_

Spring:  Standard  Low Freq.      Color: \_\_\_\_\_

Front Pivot:  Aluminum  Plastic  HRC

Kick Shim:  Brass  Plastic

Shock Limiters: \_\_\_\_\_

Shock Location: \_\_\_\_\_

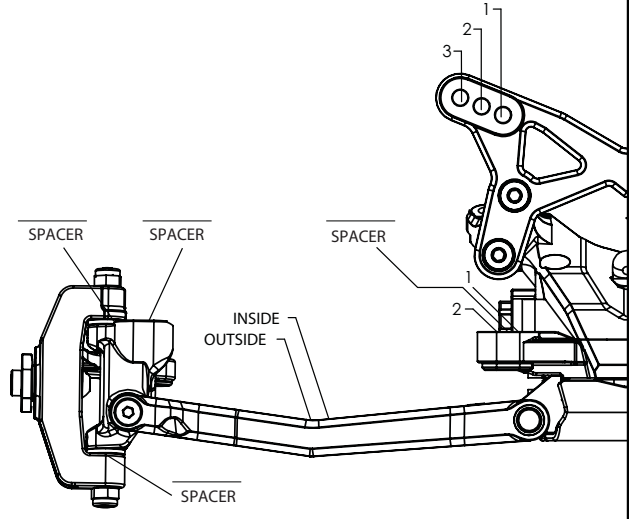
Bump Steer Ball Stud:  Standard  Low Mount

Bumper Steer Spacers: \_\_\_\_\_

Ackermann Ball Stud:  Standard  Low Mount

Ackermann Spacers: \_\_\_\_\_

Camber Link: \_\_\_\_\_



Notes:

**Rear Suspension**

Chassis Configuration:  Rear Motor  Mid Motor

Toe: \_\_\_\_\_

Anti-Squat: \_\_\_\_\_

Roll Center:  Low Roll Center (LRC)  High Roll Center (HRC)

Ride Height: \_\_\_\_\_

Camber: \_\_\_\_\_

Rear Hub Spacing: \_\_\_\_\_

Hex Width: \_\_\_\_\_

Sway Bar: \_\_\_\_\_

Oil: \_\_\_\_\_

Piston: \_\_\_\_\_

Spring:  Standard  Low Freq.      Color: \_\_\_\_\_

Shock Limiters: \_\_\_\_\_

Camber Link: \_\_\_\_\_

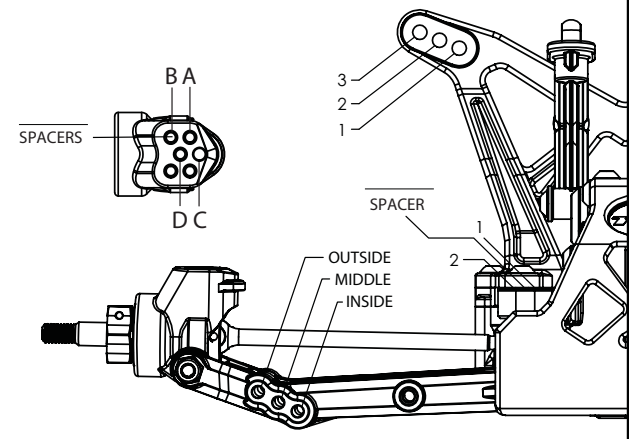
Shock Locations: \_\_\_\_\_

Wing/Wickerbill: \_\_\_\_\_

Battery Position: \_\_\_\_\_

Ball Diff:

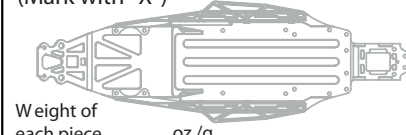
Gear Diff:



**Electronics      Team Orion R10 Setup**

Radio: _____	Running Mode: _____
Servo: _____	Drag Brake: _____
Motor: _____	Voltage Protection: _____
Pinion: _____ Spur: _____	DRRS Punch: _____
Battery: _____	Brake Force: _____
Timing Advance: _____	Reverse Force: _____
Th/Brake EPA: _____	Initial Brake: _____
Th/Brake Expo: _____	Neutral Range: _____
Servo Expo: _____	Overheat Protection: _____
	Boost Timing: _____
	Turbo Timing: _____
	Turbo Slope: _____
	Turbo Delay: _____

Weight Placement (Mark with "X")



	Front	Rear
Tire: _____	_____	_____
Insert: _____	_____	_____
Wheel: _____	_____	_____
Notes: _____	_____	_____

Comments: \_\_\_\_\_