

Name: Kyle Sanders		Date: January 24-25	Event: Keilor invitational
City: Keilor		State: Vic	
Track: Keilor			
Track Conditions	<input checked="" type="checkbox"/> Indoor <input type="checkbox"/> Tight <input checked="" type="checkbox"/> Smooth <input checked="" type="checkbox"/> Hard Packed <input type="checkbox"/> Blue Groove <input checked="" type="checkbox"/> Wet <input type="checkbox"/> Grass <input type="checkbox"/> Low Bite <input type="checkbox"/> High Bite	<input type="checkbox"/> Outdoor <input checked="" type="checkbox"/> Open <input type="checkbox"/> Rough <input type="checkbox"/> Loose/Loamy <input type="checkbox"/> Dry <input type="checkbox"/> Dusty <input type="checkbox"/> Astro Turf <input type="checkbox"/> Med Bite <input type="checkbox"/> Other _____	

Front Suspension

Toe: +/- degrees _____

Ride Height: 24mm (body on) _____

Camber: -1.5 degrees _____

Caster: 0° 5° Trail: 2mm 4mm

Kick Angle: 20° 25° 30°

Sway Bar: N/A _____

Oil: 35wt. TLR _____

Piston: 3 x 1.3mm drilled (TLR233011) _____

Spring: Standard Low Freq. Color: AE white _____

Front Pivot: Aluminum Plastic HRC

Kick Shim: Brass Plastic

Shock Limiters: 0mm : 23mm stroke _____

Shock Location: 1 - Middle (22 1.0 arms, TLR1050) _____

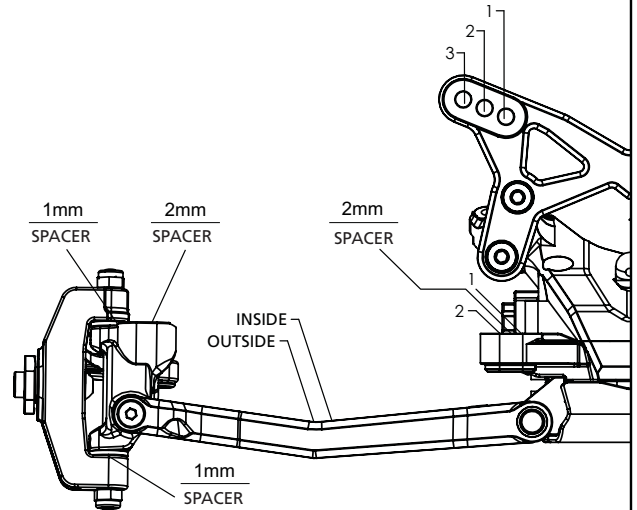
Bump Steer Ball Stud: Standard Low Mount

Bumper Steer Spacers: 1mm _____

Ackermann Ball Stud: Standard Low Mount

Ackermann Spacers: 0mm _____

Camber Link: 2 - B _____



Notes: TLR Bellcranks

Rear Suspension

Chassis Configuration: Rear Motor Mid Motor

Toe: 3.0 LRC _____

Anti-Squat: 2.0 degrees _____

Roll Center: Low Roll Center (LRC) High Roll Center (HRC)

Ride Height: 23mm (body on) _____

Camber: -2 degrees _____

Rear Hub Spacing: Middle (2mm front, 2mm rear) _____

Hex Width: Std. _____

Sway Bar: N/A _____

Oil: 32.5wt TLR _____

Piston: 3 x 1.4mm drilled (TLR233011) _____

Spring: Standard Low Freq. Color: White _____

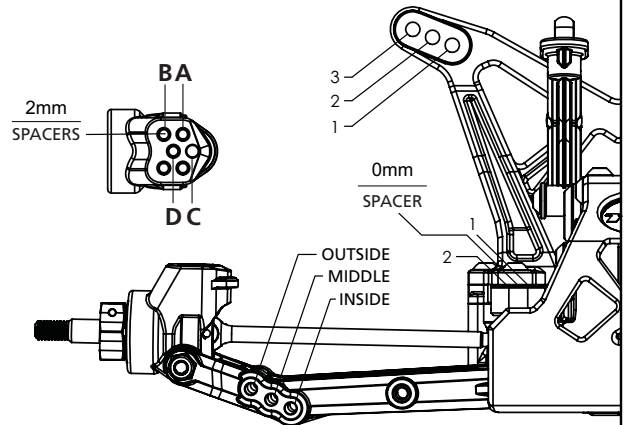
Shock Limiters: 0mm : 31.0mm stroke _____

Camber Link: 1 - D _____

Shock Locations: 0 (drilled inside #1) - Inside _____

Wing/Wickerbill: TLR 6.5" Wing lowest line, wing against tower

Battery Position: Shorty against waterfall



Electronics

Radio: Spektrum dx4r	Timing Advance: 20
Servo: Savox 1257	Throttle/Brake Expo: 0
ESC: Tekin rs gen 2	Servo Expo: 0
Initial Brake: 0%	Throttle/Brake EPA: 100/80
Drag Brake: 0%	Motor: Tekin gen 2 17.5
Throttle Profile: _____	Pinion: 33 Spur: 69
	Battery: Orion 4500mAh Shorty 90C

Weight Placement
(Mark with "X")



Weight of each piece _____ oz./g

Tires	Compound	Insert	Additive
Front: JC Dirt Webs	Red	4wd aka front	
Rear: Aka rebars	Soft	Aka red	
Notes:	Waterfall on Brass anti-squat block plastic rear camber block ESC in battery tray		
	Schelle locked slipper		