

Name: <u>David Poulter</u>	Date: <u>18/02/2014</u>	Event: <u>Off Road Wars</u>
City: <u>Chatham</u>	State: _____	
Track: <u>Maritime Raceway</u>		

Track Conditions	<input checked="" type="checkbox"/> Indoor <input type="checkbox"/> Outdoor	<input checked="" type="checkbox"/> Tight <input type="checkbox"/> Open	<input checked="" type="checkbox"/> Smooth <input type="checkbox"/> Rough	<input type="checkbox"/> Hard Packed <input type="checkbox"/> Loose/Loamy	<input type="checkbox"/> Blue Groove <input checked="" type="checkbox"/> Dry	<input type="checkbox"/> Wet <input type="checkbox"/> Dusty	<input type="checkbox"/> Grass <input type="checkbox"/> Astro Turf	<input type="checkbox"/> Low Bite <input type="checkbox"/> Med Bite	<input checked="" type="checkbox"/> High Bite <input type="checkbox"/> Other	<u>Carpet/Wood</u>
------------------	---	---	---	---	--	---	--	---	--	--------------------

Front Suspension

Toe: 0°

Ride Height: 17mm

Camber: -1°

Caster: 0° 5° Trail: 2mm 4mm

Kick Angle: 20° 25° 30°

Sway Bar: _____

Oil: 500

Piston: 4 Hole 55

Spring: Standard Low Freq. Color: Green

Front Pivot: Aluminum Plastic HRC

Kick Shim: Brass Plastic

Shock Limiters: 1 x 1mm & 2 x 2mm

Shock Location: 1I

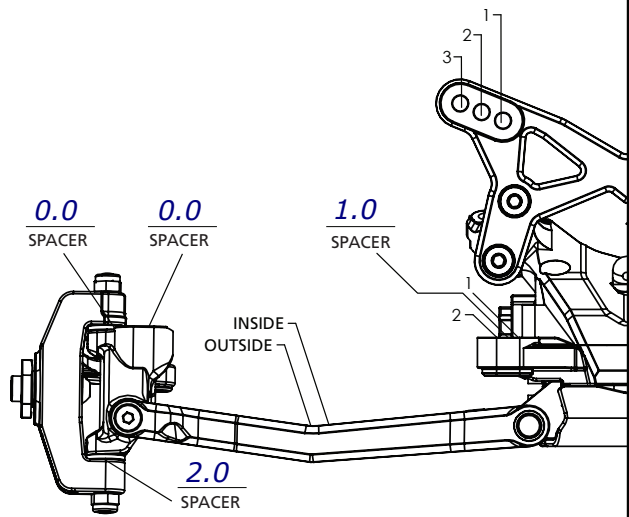
Bump Steer Ball Stud: Standard Low Mount

Bumper Steer Spacers: 1.0

Ackermann Ball Stud: Standard Low Mount

Ackermann Spacers: 0.0

Camber Link: 2 Inner



Notes: _____

Ball Diff

New 22 2.0 Cab forward Body

Slipper set @ 1.0mm

Rear Suspension

Chassis Configuration: Rear Motor Mid Motor

Toe: 3.0

Anti-Squat: 2°

Roll Center: Low Roll Center (LRC) High Roll Center (HRC)

Ride Height: 18mm

Camber: -1

Rear Hub Spacing: Medium - 2mm in front

Hex Width: Standard

Sway Bar: _____

Oil: 400

Piston: 4 Hole 55

Spring: Standard Low Freq. Color: Pink

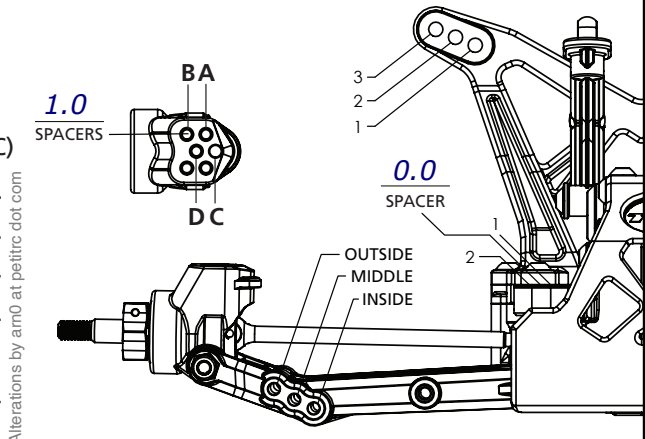
Shock Limiters: None

Camber Link: 2 C Rear Position

Shock Locations: 2 Middle

Wing/Wickerbill: TLR Kit

Battery Position: Rear - Shorty



Electronics

Radio: <u>Sanwa</u>	Timing Advance: _____
Servo: <u>Orion</u>	Throttle/Brake Expo: _____
ESC: <u>Orion R10</u>	Servo Expo: _____
Initial Brake: _____	Throttle/Brake EPA: _____
Drag Brake: _____	Motor: <u>Orion VST2 7.5</u>
Throttle Profile: _____	Pinion: <u>23T</u> Spur: <u>Kit 78T</u>
	Battery: <u>Orion Shorty</u>

<p>Weight Placement (Mark with "X")</p> <p>Weight of each piece _____ oz./g</p>	Tires	Compound	Insert	Additive
	Front: <u>Sch Cut Stagger.</u>	<u>Yellow.</u>	<u>None</u>	_____
	Rear: <u>Sch MiniPin.</u>	<u>Yellow.</u>	<u>Mr O Foams</u>	_____
Notes: <u>Qualified 6th and finished 6th overall</u>				