

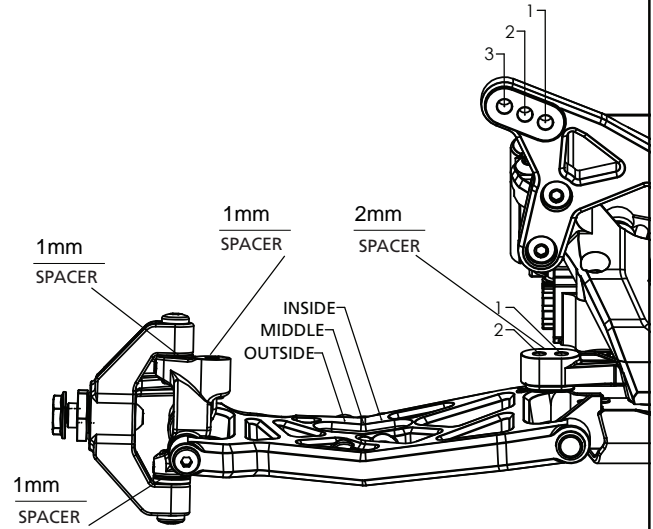
Name: Butters Date: 12/8/2012 Event: CRCRC WRL Round 3

City: _____ State: _____ Track: CRCRC (CRCRC.net)

Track Conditions: Indoor Tight Smooth Hard Packed Blue Groove Wet Grass Low Bite High Bite
 Outdoor Open Rough Loose/Loamy Dry Dusty Astro Turf Med Bite Other _____

Front Suspension

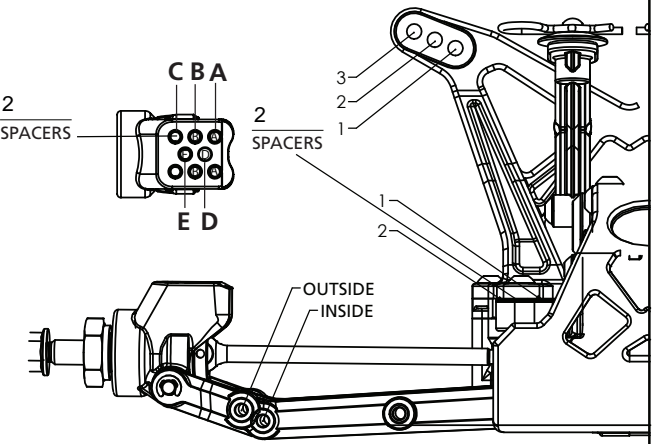
Toe: 0 or a hint of toe-out
 Ride Height: 23mm
 Camber: .5-1
 Caster: 0° 3° 5° 10°
 Kick Angle: 20° 25° 30°
 Sway Bar: none
 Oil: Losi 30wt
 Piston: 55x4 (Stock Piston)
 Spring: Kyosho Pink (KYOXGS001)
 Spindle Type: Inline Trailing
 Shock Limiters: 3mm
 Shock Location: 2-Middle
 Bump Steer: 1
 Camber Link: 1



Notes: Aluminum Pivot, Titanium Links and Shock Mounts
2mm (Stock) trailing spindles.

Rear Suspension

Chassis Configuration: Rear Motor Mid Motor
 Toe: 3
 Anti-Squat: 1mm shim
 Roll Center: Low Roll Center (LRC) High Roll Center (HRC)
 Ride Height: 22.5mm
 Camber: 1 deg
 Rear Hub Spacing: Middle
 Hex Width: .75mm
 Sway Bar: none
 Oil: Losi 30wt
 Piston: 1.6x2
 Spring: Kyosho Gold (KYOXGS013) or Kyosho Red
 Shock Limiters: none
 Camber Link: 1-B
 Shock Locations: 2-Inside
 Wing/Wickerbill: Jconcepts High Clearance Line 2 & TLR Body
 Battery Position: Forward



Electronics

Radio: Spectrum Timing Advance: _____
 Servo: short Throttle/Brake Expo: _____
 ESC: Orion R10 Servo Expo: _____
 Initial Brake: _____ Throttle/Brake EPA: _____
 Drag Brake: 17 Motor: Orion VST Pro 7.5
 Throttle Profile: 4 Pinion: 21 Spur: 81
 Battery: CRC 5300mah Long

Weight Placement (Mark with "X")

Tires	Compound	Insert	Additive
Front: _____	_____	_____	_____
Rear: _____	_____	_____	_____

Notes: Kyosho Red spring with heavier battery pack, or Gold for lighter pack.

Weight of each piece _____ oz./g

