



Setup Sheet

Track: 2001 Florida Winter Champs

Driver: John Walters (SPEC)

| | | |
|---|--|---|
| <input type="checkbox"/> Indoor | <input checked="" type="checkbox"/> Smooth | <input type="checkbox"/> Slippery |
| <input checked="" type="checkbox"/> Outdoor | <input type="checkbox"/> Rough | <input type="checkbox"/> High-Bite |
| <input type="checkbox"/> Tight / <input checked="" type="checkbox"/> Open | | <input checked="" type="checkbox"/> Blue-Groove |

Date: February 25, 2001

FRONT SUSPENSION *(Circle or Check the Appropriate Settings)*

Toe In 1/2 °
 Out

Ride Height Arms Below Level

Camber - 0 °
 +

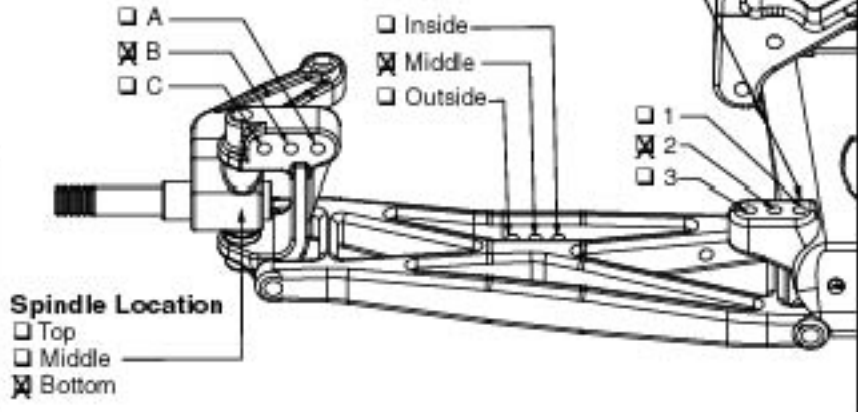
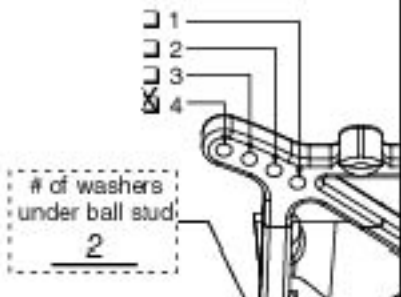
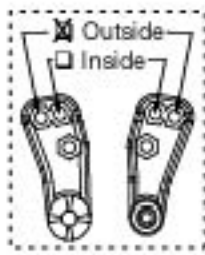
Caster Stock 0 °
 Other

Sway Bar No Yes size Thick

of washers under steering / tie-rod ball studs

Spindle ball stud: 0

Bellcrank ball stud: 0



Front Shocks

Oil: 35 wt Losi

Piston: 56 Standard; Drilled

Spring: Red

Limiters: Inside: .050 Outside: none

REAR SUSPENSION

Toe-In Inside 3 °
 Outside

Pivot Support 2 deg No Shim
 Shim Under Front
 Shim Under Rear > # of shims: _____

Ride Height Bones Level

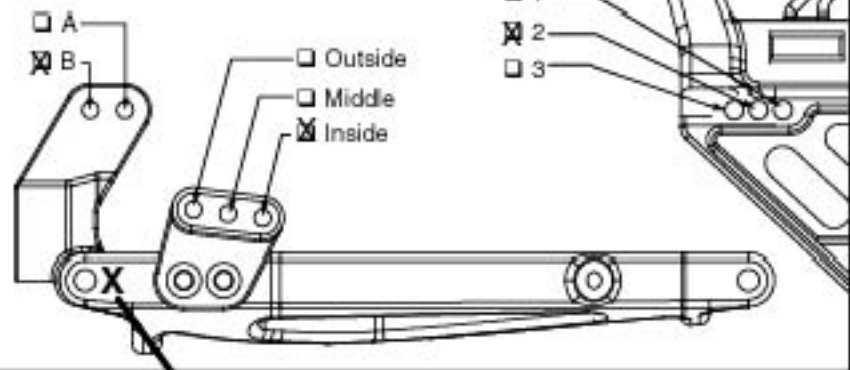
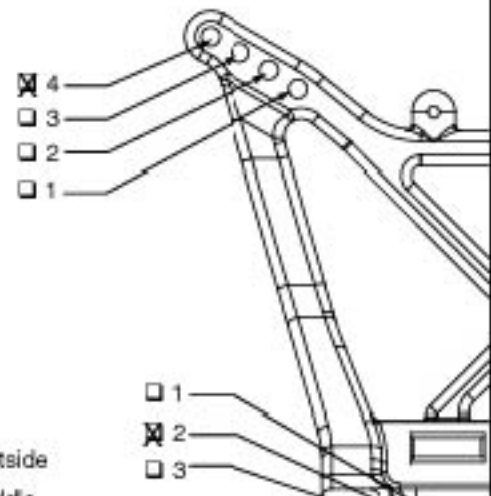
Camber - 0 °
 +

Drive Shafts Dogbones Aluminum
 CVDs Steel

Rear Hub Spacing Forward
 Center Rear

Outdrives Steel
 Plastic

Sway Bar No Yes size _____



Rear Shocks

Oil: 30 wt Losi

Piston: 56 Standard; Drilled

Spring: Red

Limiters: Inside: none Outside: ends 1 turn

| | | | | |
|----------------------------|------------------|------------------|----------------------------------|---------------------------|
| Tires | Compound | Foam | Motor: <u>Handout</u> | Pinion/Spur: <u>21/86</u> |
| Front: <u>Directionals</u> | <u>Dirt Spec</u> | <u>Losi Firm</u> | Battery Position: <u>Forward</u> | |
| Rear: <u>Taper Pin</u> | <u>Dirt Spec</u> | <u>Losi Firm</u> | | |

Notes: Outer hinge pin hole redrilled in .120 to narrow rear end