



Setup Sheet

Track: French Championship - Round 4

Driver: Francis Heuga

Date: June 03 2001

- | | | |
|---|--|--|
| <input type="checkbox"/> Indoor | <input checked="" type="checkbox"/> Smooth | <input checked="" type="checkbox"/> Slippery |
| <input checked="" type="checkbox"/> Outdoor | <input type="checkbox"/> Rough | <input type="checkbox"/> High-Bite |
| <input type="checkbox"/> Tight / <input checked="" type="checkbox"/> Open | | <input type="checkbox"/> Blue-Groove |

FRONT SUSPENSION *(Circle or Check the Appropriate Settings)*

Toe In 0 °
 Out 0 °

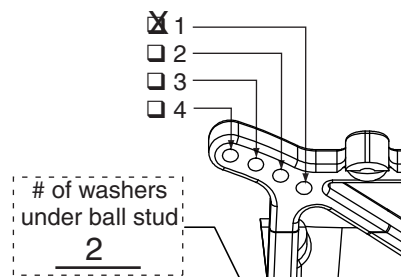
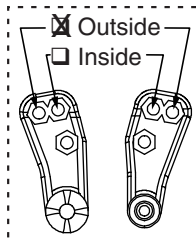
Ride Height Arms Level

Camber - 1 °
 + 1 °

Caster Stock 0 °
 Other _____

Sway Bar No size
 Yes _____

of washers under steering / tie-rod ball studs
 Spindle ball stud: 0
 Bellcrank ball stud: 0



Front Shocks

Oil: 25 WT Asso

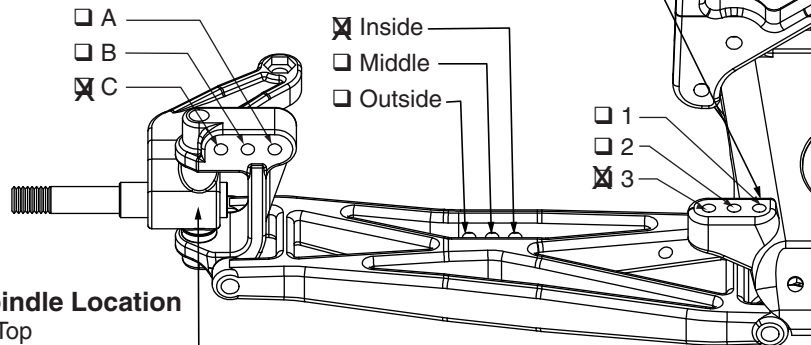
Piston Standard / Drilled

Spring: Red

Limiters: Inside 0.012 Outside none

Spindle Location

- Top
 Middle
 Bottom



REAR SUSPENSION

Toe-In Inside 3 °
 Outside _____ °

Pivot Support 1 No Shim
 Shim Under Front
 Shim Under Rear > # of shims: 1

Ride Height Bones slightly above level

Camber - 1 °
 + _____ °

Drive Shafts Dogbones Aluminum
 CVDs Steel

Rear Hub Spacing Forward
 Center
 Rear

Outdrives Steel
 Plastic

Sway Bar No size
 Yes _____

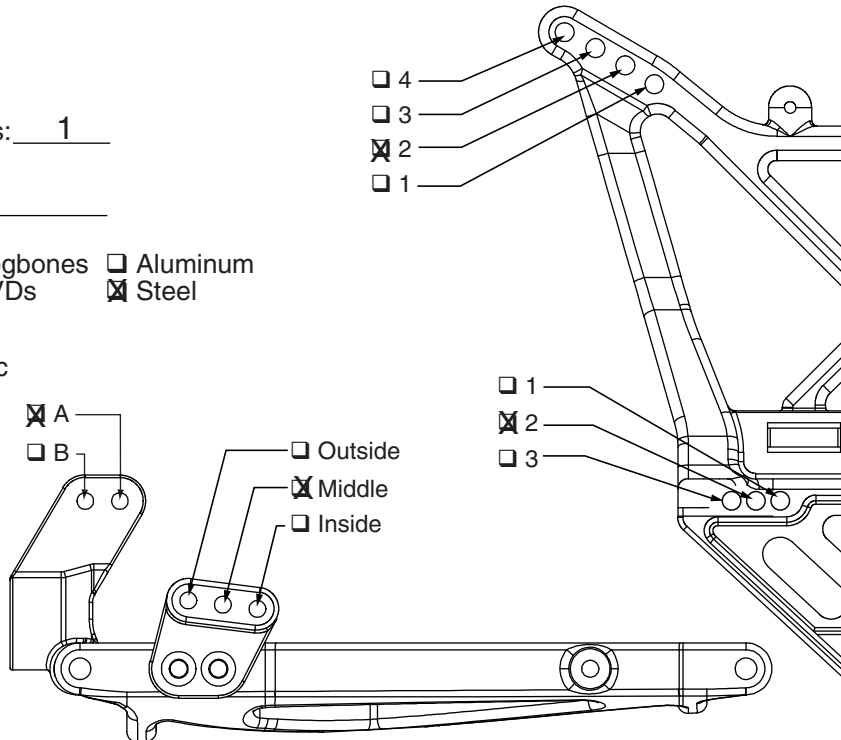
Rear Shocks

Oil: 20 wt Losi

Piston Standard / Drilled

Spring: Yellow

Limiters: Inside 0.012 Outside none



Tires
 Front: Losi 8 Rib Compound Red Foam Losi Firm
 Rear: Losi Compound Red Foam Losi

Motor: Orion 12x2 Pinion/Spur: /
 Battery Position: Foward

Notes: 10 Grs in the Bulkhead