



# Setup Sheet

Driver: Travis AmezcuaDate: July 2006Track: Hot Rod Hobbies

- |   |  |   |
|---|--|---|
| <input type="checkbox"/> Indoor             | <input checked="" type="checkbox"/> Smooth | <input type="checkbox"/> Slippery               |
| <input checked="" type="checkbox"/> Outdoor | <input type="checkbox"/> Rough             | <input checked="" type="checkbox"/> High-Bite   |
| <input type="checkbox"/> Tight /            | <input checked="" type="checkbox"/> Open   | <input checked="" type="checkbox"/> Blue-Groove |

## FRONT SUSPENSION (Circle or Check the Appropriate Settings)

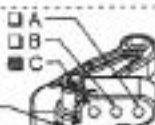
Toe  In 0  
 Out 0Ride Height 31mmCamber  - 1  
 +Caster  Stock  
 OtherSway Bar  No  
 Yes size

# of washers under steering / tie-rod ball studs

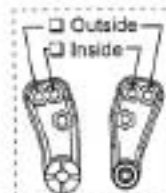
Spindle ball stud: 120Ballcrank ball stud: 0

Spindle Location

- 
- Top
- 
- 
- Middle
- 
- 
- Bottom



- 
- Long
- 
- 
- Short



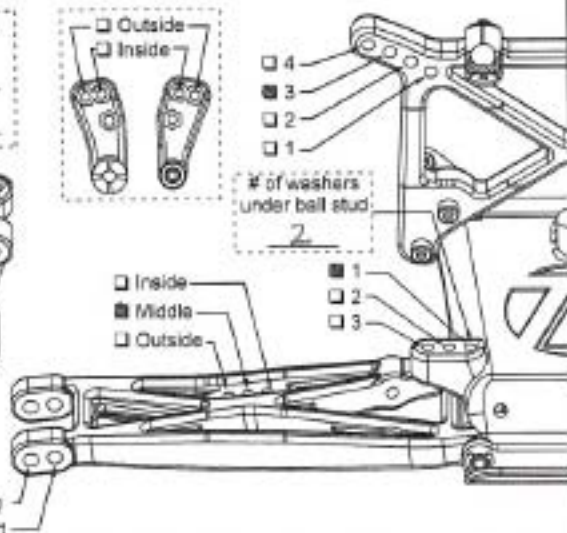
- 
- 4
- 
- 
- 3
- 
- 
- 2
- 
- 
- 1

# of washers under ball stud

- 
- Inside
- 
- 
- Middle
- 
- 
- Outside

- 
- 1
- 
- 
- 2
- 
- 
- 3

- 
- Long
- 
- 
- Short



### Front Shocks

Oil: 30Piston: 57  Standard /  DrilledSpring: Green Internal:  Yes /  NoLimiters:  Inside 120-150  Outside 0

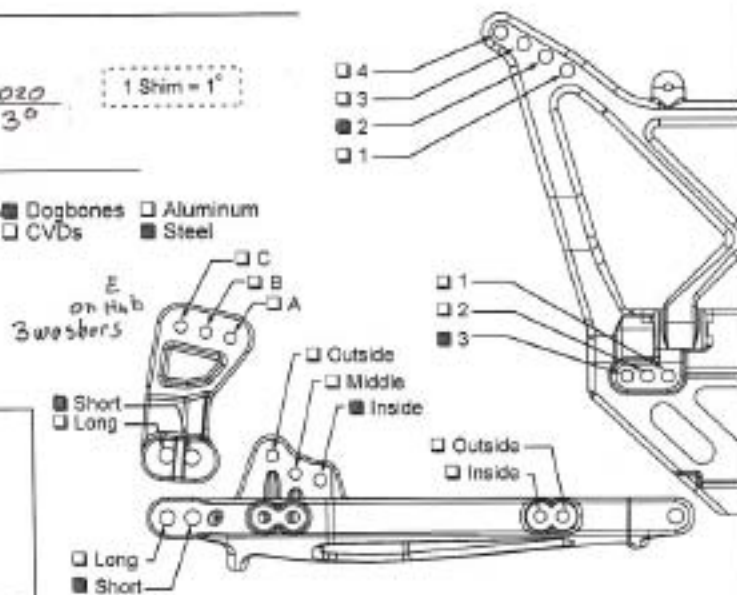
## REAR SUSPENSION

Body: FXTToe-In  Inside 3  
 Outside 0Spoiler: FXTPivot Support  No Shim  
 Shim Under Front - # of shims: 020  
3°

1 Shim = 1°

Ride Height 26mmCamber  - 1  
 +Drive Shafts  Dogbones  Aluminum  
 CVDs  SteelRear Hub Spacing  Forward  
 Center  
 RearSway Bar  No  
 Yes size

### Rear Shocks

Oil: 25Piston: 667 or 2 hole 34  Standard /  DrilledSpring: white Internal:  Yes /  No  
on soft end 3 turnsLimiters:  Inside 0  Outside

- 
- 4
- 
- 
- 3
- 
- 
- 2
- 
- 
- 1

- 
- 1
- 
- 
- 2
- 
- 
- 3

- 
- Outside
- 
- 
- Inside

### Tires

Front: Taper Pin

Compound

silver

Foam

stockRear: Taper PinRedPLMotor: 11x2 Pinion/Spur: 18/86Battery Position: 1/4 BackWeather Conditions/Notes: 27° front kick, CR Rear Pivot, CR Rear Hubs, XXX tranny, CR steering rack, 1/2 oz weight in front bulk head