

# TENLOS SETUP SHEET XXXR

Name: Stu Rand Date: August 2009 Event: Club

City: FORCC State: \_\_\_\_\_ Track: \_\_\_\_\_

Track  Indoor  Tight  Smooth  Hard Packed  Blue Groove  Wet  Low Bite  High Bite  
 Conditions  Outdoor  Open  Rough  Loose/Loamy  Dry  Dusty  Med Bite  Other Polished floor



## Front Suspension

Toe: +0.5°

Ride Height: Just below level

Camber: 2°

Caster: Standard

Sway Bar: \_\_\_\_\_

Oil: 40 wt

Piston: Orange

Spring: Green

Limiters: \_\_\_\_\_

Spindle Height: Low

Axle Spacer: None

Steering Type: Rack

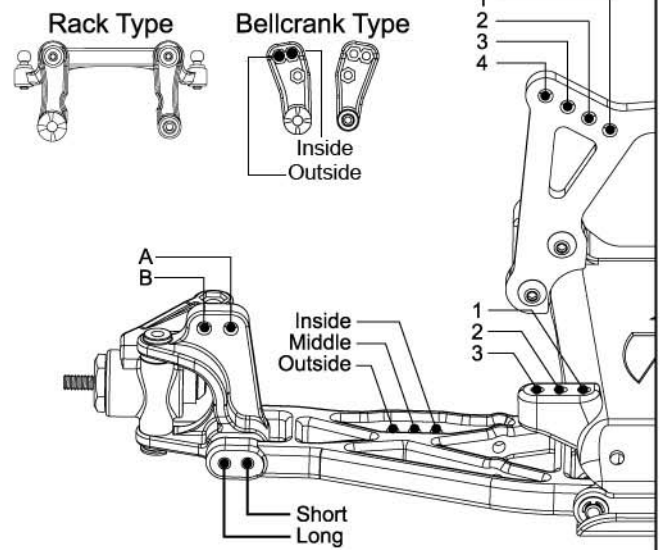
Bump Steer: None - Ackerman: 3mm spacers

Camber Link: 3-A - Spacers: 3.75mm

Shock Location: 2-Middle

VLA: Short

Front Wing: Yes



Notes: \_\_\_\_\_

\_\_\_\_\_

\_\_\_\_\_

## Rear Suspension

Toe: 3°

Pivot Support: 0° - Antisquat: 1mm

Ride Height: Driveshaft level

Camber: 2°

Rear Hub Spacing: Middle

Drive Shafts/Outdrives: Standard

Sway Bar: \_\_\_\_\_

Oil: 35 wt

Piston: Orange

Spring: Pink

Limiters: \_\_\_\_\_

Camber Link: 2-D - Spacers: 3.5mm

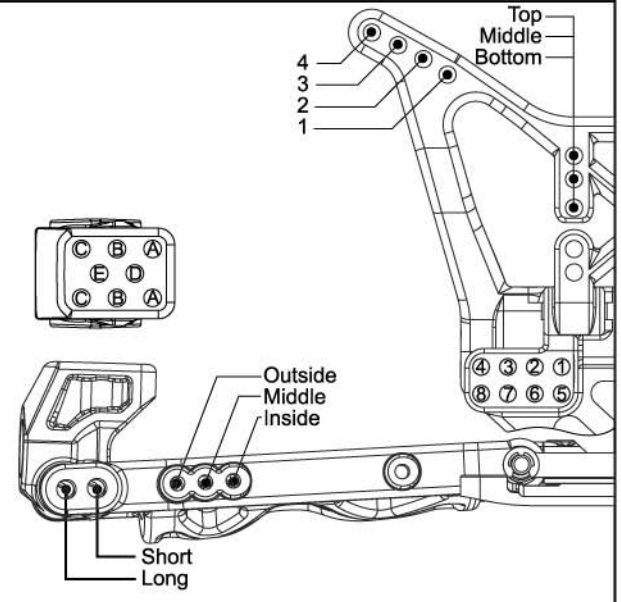
Shock Location: 3-Outside

VLA: Short

Wing Position/Mount: Bottom

Body & Wing Type: \_\_\_\_\_

Battery Position: LiPo

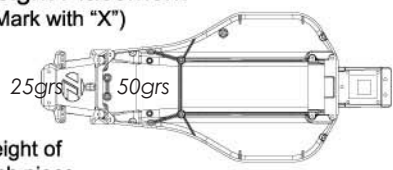


Notes: \_\_\_\_\_

\_\_\_\_\_

\_\_\_\_\_

Weight Placement  
(Mark with "X")



Weight of each piece \_\_\_\_\_ oz.

Tires: Type \_\_\_\_\_ Compound \_\_\_\_\_ Insert \_\_\_\_\_ Additive \_\_\_\_\_ Motor: 13.5

Front: Full Spike Yellow White \_\_\_\_\_ Spur: 23

Rear: Full Spike Yellow White \_\_\_\_\_ Pinon: 78

Notes: \_\_\_\_\_

\_\_\_\_\_