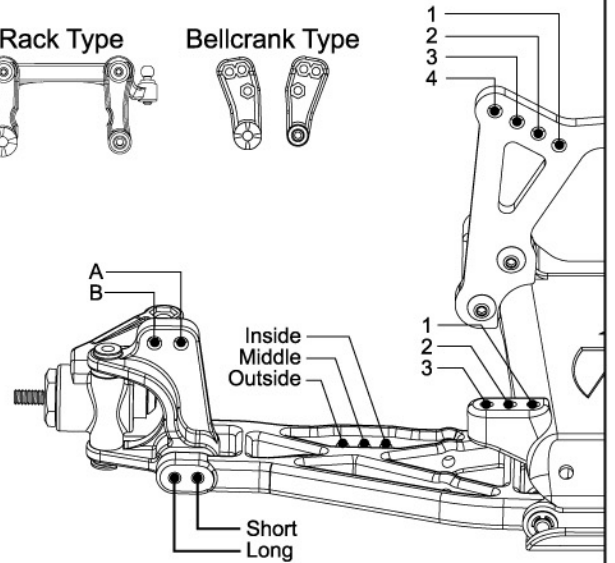
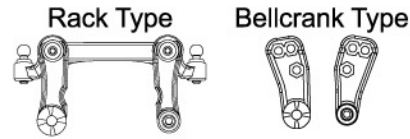


# TENLOS SETUP SHEET XXXR

Name: Simon Reeves Date: 12 April 2009 Event: \_\_\_\_\_  
 City: \_\_\_\_\_ State: \_\_\_\_\_ Track: Stotfold  
 Track  Indoor  Tight  Smooth  Hard Packed  Blue Groove  Wet  Low Bite  High Bite  
 Conditions  Outdoor  Open  Rough  Loose/Loamy  Dry  Dusty  Med Bite  Other \_\_\_\_\_

## Front Suspension

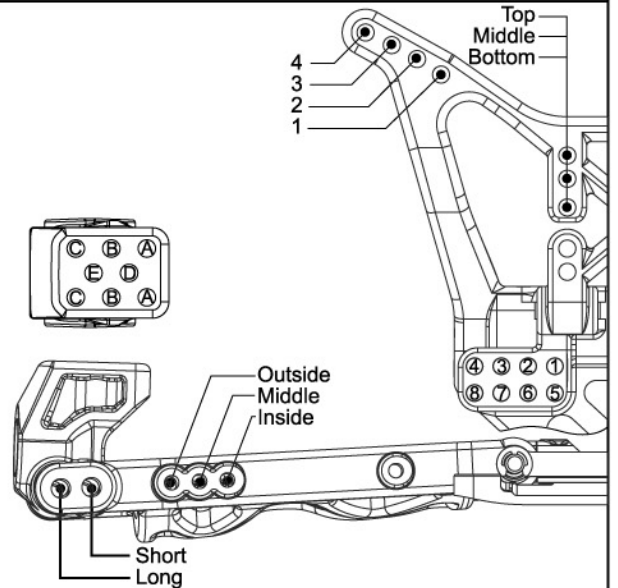
Toe: 0 degree  
 Ride Height: 24 mm  
 Camber: -1 degree  
 Caster: 30 degree  
 Sway Bar: Thin losi front roll bar - Stops so much body roll in corner  
 Oil: 30 wt  
 Piston: 55  
 Spring: Green  
 Limiters: 0  
 Spindle Height: Middle  
 Axle Spacer: Narrow  
 Steering Type: Rack  
 Bump Steer: 0 mm  
 Camber Link: 2 - B, 3 washers under link  
 Shock Location: 2 - Inside  
 VLA: Short  
 Front Wing: Standard wing



Notes: 30g on top of bulk head  
 \_\_\_\_\_  
 \_\_\_\_\_

## Rear Suspension

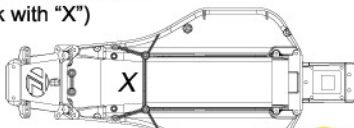
Toe: -3 degree  
 Pivot Support: -2  
 Ride Height: 23mm  
 Camber: -1 degree  
 Rear Hub Spacing: Short wheelbase  
 Drive Shafts/Outdrives: Losi steel drive shafts  
 Sway Bar: No  
 Oil: 30 wt  
 Piston: 56  
 Spring: Yellow  
 Limiters: 0  
 Camber Link: 2 - B, 3 washers under link on hub  
 Shock Location: 2 - inside, much more drive for the slippy conditions  
 VLA: Short  
 Wing Position/Mount: Low and forwards  
 Body & Wing Type: Wide losi wing full gurney  
 Battery Position: Middle, foam at the front and rear



Notes: antisquat: 2 degree  
 \_\_\_\_\_  
 \_\_\_\_\_

arn0(@)petitrc.com

Weight Placement  
(Mark with "X")



Weight of each piece 40 gms



Tires: Type Compound Insert Additive Motor: 6.5t Losi  
 Front: Schumacher Mini Spike green Spur: 78  
 Rear: Schumacher Mini Spike green - inserts Mr Q standard blue Pinon: 25

Notes: Short Ko Propo servo

would only run rear shocks on inside hole on the wishbone when car is lacking drive