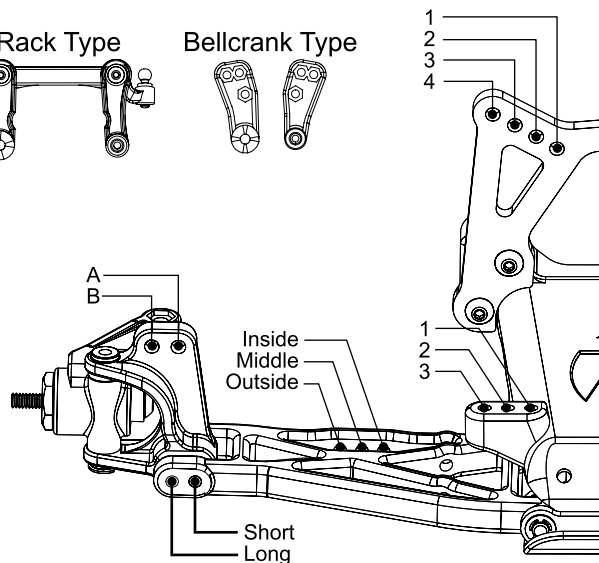
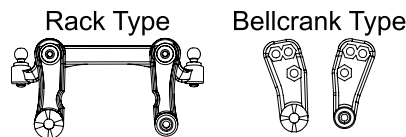


SETUP SHEET XXX CR

Name: <u>Matt Chambers</u>	Date: <u>4/21/2009</u>	Event: _____
City: _____	State: _____	
Track: <u>Base setup for all tracks</u>		
Track <input type="checkbox"/> Indoor <input type="checkbox"/> Tight <input type="checkbox"/> Smooth <input type="checkbox"/> Hard Packed <input type="checkbox"/> Blue Groove <input type="checkbox"/> Wet <input type="checkbox"/> Low Bite <input type="checkbox"/> High Bite Conditions <input type="checkbox"/> Outdoor <input type="checkbox"/> Open <input type="checkbox"/> Rough <input type="checkbox"/> Loose/Loamy <input type="checkbox"/> Dry <input type="checkbox"/> Dusty <input type="checkbox"/> Med Bite <input type="checkbox"/> Other _____		

Front Suspension

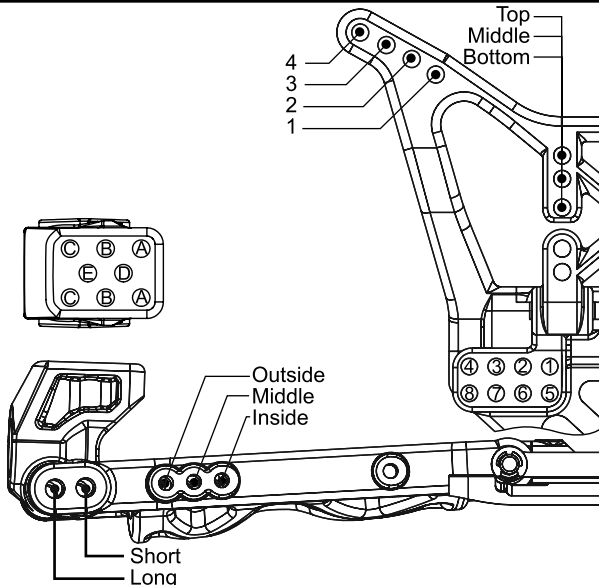
Toe: 0
 Ride Height: 24mm
 Camber: -1 degree
 Caster: Stock
 Sway Bar: No
 Oil: 30wt Losi
 Piston: 56(Red)
 Spring: Orange
 Limiters: None-Shock ends unscrewed 2 full turns for more downtravel
 Spindle Height: Bottom
 Axle Spacer: Narrow
 Steering Type: Rack
 Bump Steer: 0
 Camber Link: 2/A with (1) .030" gold washer
 Shock Location: #2/Outside on Arm
 VLA: Long Arm
 Front Wing: No



Notes: _____

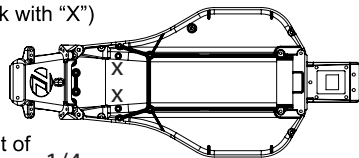
Rear Suspension

TOE: Stock 3 Degrees
 Pivot Support: 3 Degrees (.020" washer under front of pivot)
 Ride Height: 23mm
 Camber: -1.5 degrees
 Rear Hub Spacing: Back
 Drive Shafts/Outdrives: Losi Dogbones with Steel Dogbones
 Sway Bar: No
 Oil: 25wt Losi
 Piston: 57(Black)
 Spring: Grey (1.6 rate)
 Limiters: .030"
 Camber Link: 3/B with 3 washers
 Shock Location: #2/Outside on Arm
 VLA: Short
 Wing Position/Mount: Forward/Middle
 Body & Wing Type: Losi 5000mAh LiPo
 Battery Position: Forward



Notes: _____

Weight Placement
(Mark with "X")



Weight of each piece 1/4 oz.

Tires: _____	Type <u>Taper Pin</u>	Compound <u>Pink</u>	Insert <u>Stock</u>	Additive _____	Motor: <u>7.5 Xcelorin</u>
Front: _____	Rear: <u>Taper Pin</u>	<u>Pink</u>	<u>Trinity Bomb 1</u>	_____	Spur: <u>78</u>
Notes: <u>Xcelorin ESC and Motor</u>					Pinon: <u>23</u>