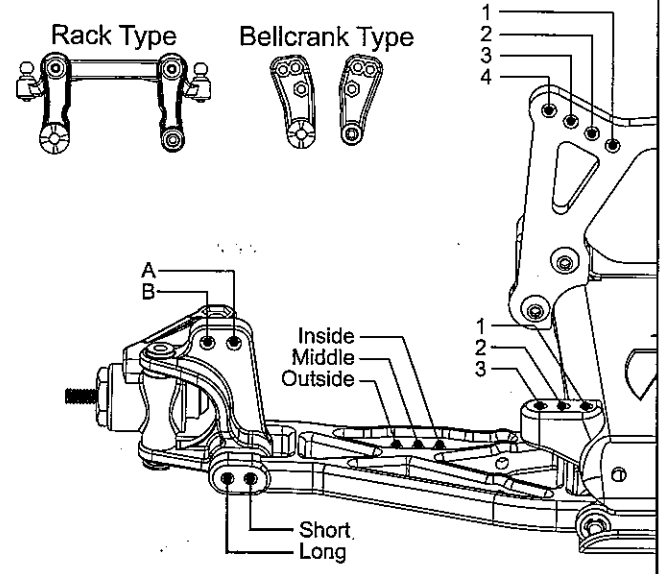


VENUS SETUP SHEET XXX

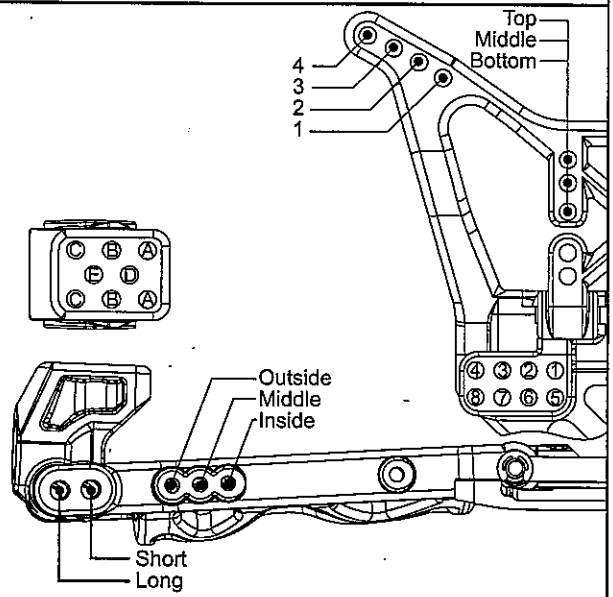
Name: **LEIGH CHEESEMAN** Date: **23/24 JAN. 2010** Event: **STOCK SHOOTOUT**
 City: **KEIKOR** State: **VICTORIA** Track: **KEIKOR, AUSTRALIA**
 Track Conditions: Indoor Tight Smooth Hard Packed Blue Groove Wet Low Bite High Bite
 Outdoor Open Rough Loose/Loamy Dry Dusty Med Bite Other _____

Front Suspension *extra rough*
 Toe: **+1° degree**
 Ride Height: **24mm**
 Camber: **-1°**
 Caster: **STD**
 Sway Bar: **NIL**
 Oil: **35**
 Piston: **RED**
 Spring: **ORANGE**
 Limiters: **NIL**
 Spindle Height: **STD**
 Axle Spacer: **STD**
 Steering Type: **RACK**
 Bump Steer: **STD**
 Camber Link: **2A**
 Shock Location: **3 OUTSIDE**
 VLA: **LONG**
 Front Wing: **NIL**



Notes: **LONGER BALL ENDS FITTED TO SHOCK BOTTOMS. 1 Ballstart washer**

Rear Suspension
 Toe: **STD**
 Pivot Support: **STD**
 Ride Height: **23mm**
 Camber: **-1°**
 Rear Hub Spacing: **REAR**
 Drive Shafts/Outdrives: **STD**
 Sway Bar: **NIL**
 Oil: **20**
 Piston: **BLACK**
 Spring: **WHITE**
 Limiters: **STD**
 Camber Link: **7B**
 Shock Location: **3 MIDDLE**
 VLA: **LONG**
 Wing Position/Mount: **MIDDLE**
 Body & Wing Type: **STD BODY, J CONCEPTS 6.5 INCH**
 Battery Position: **FORWARD**



Notes: _____

Weight Placement (Mark with "X")	Tires: Type	Compound	Insert	Additive	Motor:
	Front: silver taper	silver	std	NIL	17.9
	Rear: bk bar	red	std	NIL	Spur: 72
Weight of each piece: 1/4 oz.	Notes: Top qualifier + 1st.				Pinon: 37