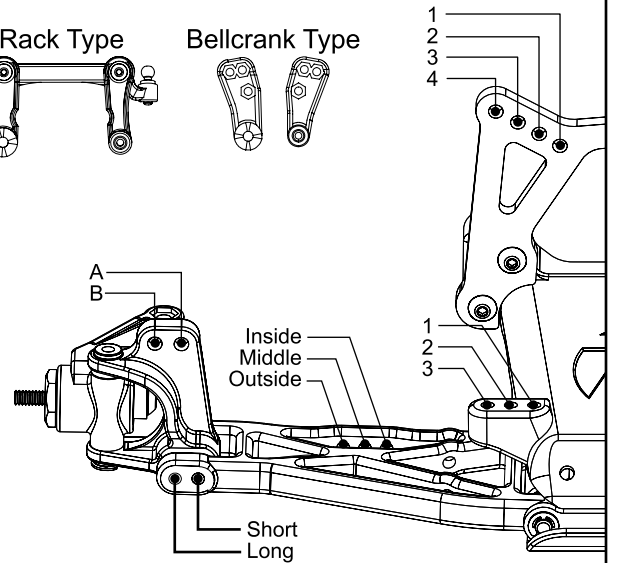
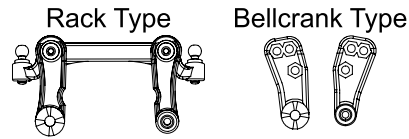


TENLOS SETUP SHEET XXX CR

Name: <u>Guillaume Bezirdjoglou</u>	Date: <u>Sept 01-02, 2007</u>
City: _____ State: _____	Event: <u>French Cup 2007</u>
Track: <u>Dhuizon</u>	
Track <input type="checkbox"/> Indoor <input type="checkbox"/> Tight <input type="checkbox"/> Smooth <input type="checkbox"/> Hard Packed <input type="checkbox"/> Blue Groove <input type="checkbox"/> Wet <input type="checkbox"/> Low Bite <input type="checkbox"/> High Bite Conditions <input checked="" type="checkbox"/> Outdoor <input checked="" type="checkbox"/> Open <input checked="" type="checkbox"/> Rough <input type="checkbox"/> Loose/Loamy <input type="checkbox"/> Dry <input type="checkbox"/> Dusty <input type="checkbox"/> Med Bite <input type="checkbox"/> Other _____	

Front Suspension

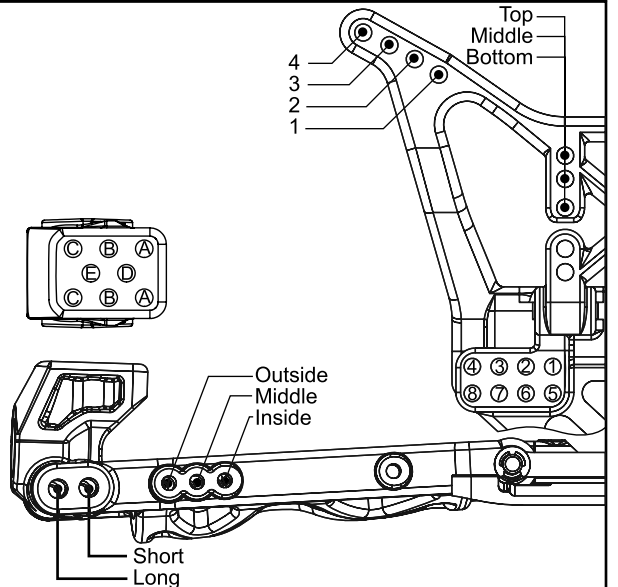
Toe: 0
 Ride Height: 24mm
 Camber: -1°
 Caster: 30
 Sway Bar: None
 Oil: 27.5 WT
 Piston: # 56
 Spring: Orange
 Limiters: None
 Spindle Height: Bottom
 Axle Spacer: Narrow
 Steering Type: Rack
 Bump Steer: None
 Camber Link: 3-B Shims: Stock
 Shock Location: 3-Middle
 VLA: Short
 Front Wing: Yes



Notes: _____

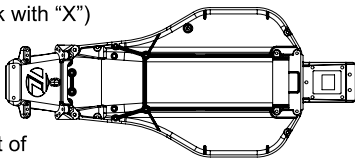
Rear Suspension

Toe: 3° Pivot
 Pivot Support: 2°
 Ride Height: 24 mm
 Camber: -1
 Rear Hub Spacing: Center
 Drive Shafts/Outdrives: _____
 Sway Bar: None
 Oil: 32.5
 Piston: # 56
 Spring: Yellow
 Limiters: 170
 Camber Link: 3-B Shims: Stock
 Shock Location: 2 - Inside
 VLA: Short
 Wing Position/Mount: Standard
 Body & Wing Type: Triple X-CR
 Battery Position: Forward



Notes: _____

Weight Placement
(Mark with "X")



Weight of each piece _____ oz.

Tires: _____	Type _____	Compound _____	Insert _____	Additive _____	Motor: <u>12x3</u>
Front: <u>X-tra Wide</u>	<u>Red</u>	<u>Red</u>	<u>Stock</u>	_____	Spur: <u>78</u>
Rear: <u>Big Shot</u>	<u>Red</u>	<u>Firm</u>	_____	_____	Pinon: <u>21</u>

Notes: _____