

TENLOS SETUP SHEET XXXR



Name: _____

Date: _____ Event: _____

City: _____ State: _____

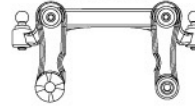
Track: _____

Track Conditions: Indoor Tight Smooth Hard Packed Blue Groove Wet Low Bite High Bite
 Outdoor Open Rough Loose/Loamy Dry Dusty Med Bite Other _____

Front Suspension

Toe: _____
 Ride Height: _____
 Camber: _____
 Caster: _____
 Sway Bar: _____
 Oil: _____
 Piston: _____
 Spring: _____
 Limiters: _____
 Spindle Height: _____
 Axle Spacer: _____
 Steering Type: _____
 Bump Steer: _____
 Camber Link: _____
 Shock Location: _____
 VLA: _____
 Front Wing: _____

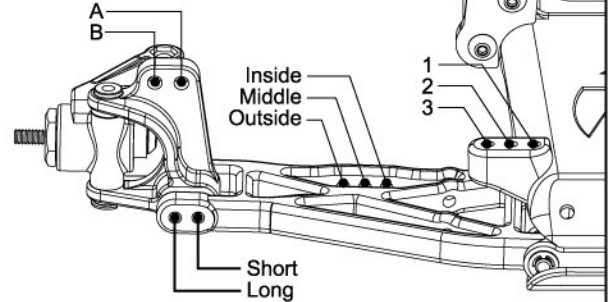
Rack Type



Bellcrank Type



1
2
3
4

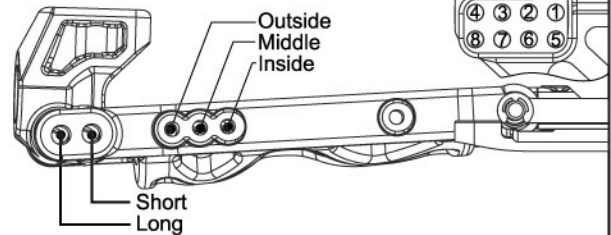
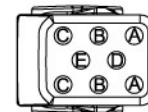


Notes: _____

Rear Suspension

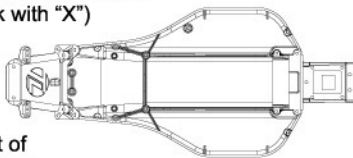
Toe: _____
 Pivot Support: _____
 Ride Height: _____
 Camber: _____
 Rear Hub Spacing: _____
 Drive Shafts/Outdrives: _____
 Sway Bar: _____
 Oil: _____
 Piston: _____
 Spring: _____
 Limiters: _____
 Camber Link: _____
 Shock Location: _____
 VLA: _____
 Wing Position/Mount: _____
 Body & Wing Type: _____
 Battery Position: _____

Top
Middle
Bottom
4
3
2
1



Notes: _____

Weight Placement
(Mark with "X")



Weight of each piece _____ oz.

Tires: Type Compound Insert Additive Motor: _____
 Front: _____ Spur: _____
 Rear: _____ Pinon: _____
 Notes: _____