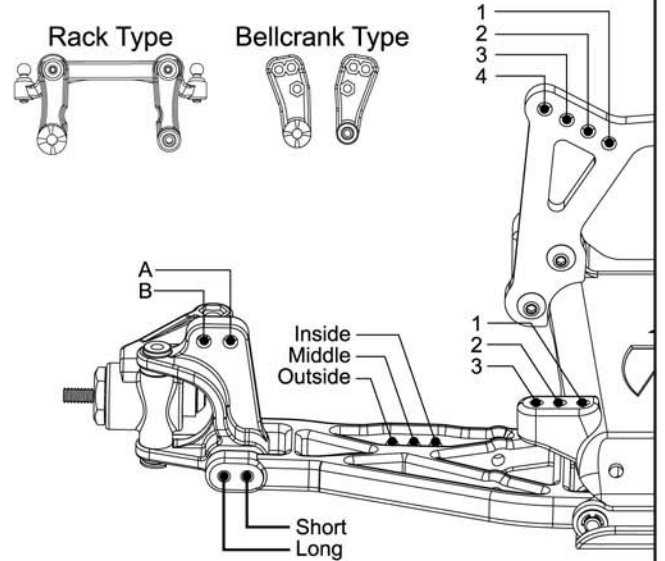


TENLOS SETUP SHEET XXX-CR

| | | | |
|--------------------------------------------------------------------------------------------------------------------------------------------------------------------------------------------------------------------------------------------------------------------------------------------------------|------------------------------------------------------------------------------------------------------------------------------------------------------------------------------------------------------------------------------------------------------------------------------------------------------------------------------|------------------------|-----------------------------|
| Name: <u>Tony Truman</u> | | Date: <u>2/12/06</u> | Event: <u>Winter Series</u> |
| City: <u>Bicester</u> | State: <u>Oxon</u> | Track: <u>Tiverton</u> | Base Setup Sheet |
| Track <input checked="" type="checkbox"/> Indoor <input type="checkbox"/> Tight <input checked="" type="checkbox"/> Smooth <input type="checkbox"/> Hard Packed <input type="checkbox"/> Blue Groove <input type="checkbox"/> Wet <input type="checkbox"/> Low Bite <input type="checkbox"/> High Bite | Conditions <input type="checkbox"/> Outdoor <input checked="" type="checkbox"/> Open <input type="checkbox"/> Rough <input checked="" type="checkbox"/> Loose/Loamy <input checked="" type="checkbox"/> Dry <input checked="" type="checkbox"/> Dusty <input type="checkbox"/> Med Bite <input type="checkbox"/> Other _____ | | |

Front Suspension

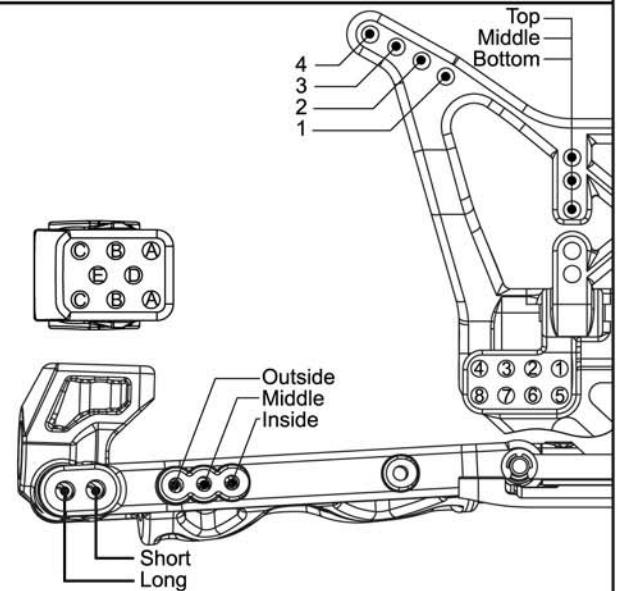
Toe: Out 1 mm
 Ride Height: W/B Level
 Camber: 1 Deg
 Caster: Standard
 Sway Bar: No
 Oil: 30 Wt
 Piston: Red
 Spring: Green
 Limiters: Nil
 Spindle Height: Down
 Axle Spacer: Inside
 Steering Type: Rack
 Bump Steer: 0
 Camber Link: A/1
 Shock Location: Middle/4
 VLA: Inside
 Front Wing: Yes. Large full wing.



Notes: _____

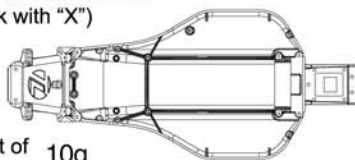
Rear Suspension

Toe: Inside 3 Deg
 Pivot Support: 2 Deg Block/0 Deg Anti Squat
 Ride Height: D/S Level
 Camber: 1 Deg
 Rear Hub Spacing: Forward
 Drive Shafts/Outdrives: Steel Dogbone/Plastic
 Sway Bar: Nil
 Oil: 30 Wt
 Piston: Orange (55)
 Spring: Pink
 Limiters: Standard
 Camber Link: A/3 + 3 Washers
 Shock Location: Inside/3
 VLA: Inside
 Wing Position/Mount: Middle
 Body & Wing Type: XXX-CR. See Note
 Battery Position: Across Chassis



Notes: _____

Weight Placement
(Mark with "X")



Weight of 10g
each piece _____ oz.

| Tires: | Type | Compound | Insert | Additive | Motor: |
|--------------------------------------------------------------------------------|--------------------------|-------------|----------------------|------------|-----------------------|
| Front: | <u>Ballistic/Spike</u> | <u>Pink</u> | <u>Ballistic 1/2</u> | <u>Nil</u> | <u>12 x 2/13 x 4</u> |
| Rear: | <u>Pro Line/Step Pin</u> | <u>M3</u> | <u>Snee</u> | <u>Nil</u> | <u>Spur: 78</u> |
| Notes: <u>35g In Front B/H (Brass). 20g At Rear. XXX Rear Wing. 5mm Gurney</u> | | | | | <u>Pinon: 22 - 23</u> |