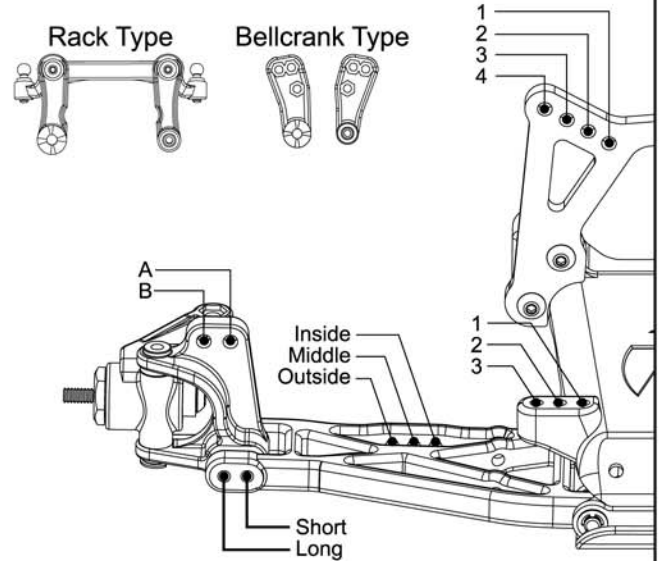


TENORS SETUP SHEET XXX CR

Name: <u>Tony Truman</u>		Date: <u>19/11/06</u>	Event: <u>Winter Series</u>
City: _____	State: _____	Track: <u>Stotfold</u>	
Track Conditions: <input type="checkbox"/> Indoor <input type="checkbox"/> Tight <input type="checkbox"/> Smooth <input type="checkbox"/> Hard Packed <input type="checkbox"/> Blue Groove <input checked="" type="checkbox"/> Wet <input type="checkbox"/> Low Bite <input type="checkbox"/> High Bite		Dried out during day.	
Conditions: <input checked="" type="checkbox"/> Outdoor <input checked="" type="checkbox"/> Open <input type="checkbox"/> Rough <input type="checkbox"/> Loose/Loamy <input checked="" type="checkbox"/> Dry <input type="checkbox"/> Dusty <input type="checkbox"/> Med Bite <input type="checkbox"/> Other _____			

Front Suspension

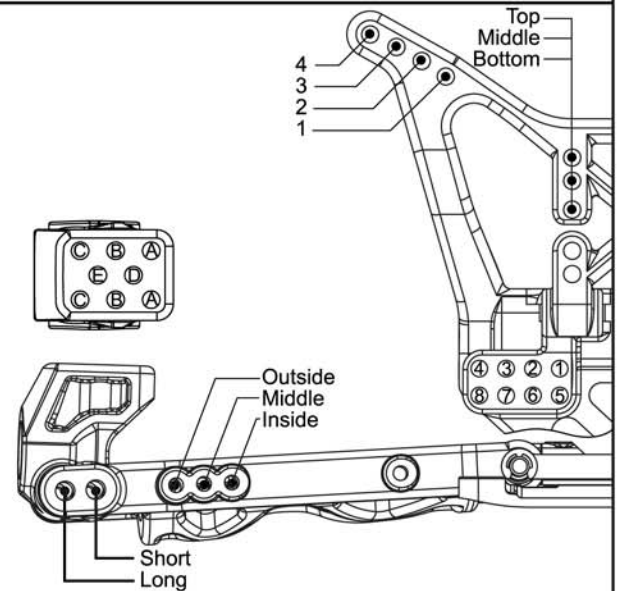
Toe: In
 Ride Height: W/B Level
 Camber: -1 Deg
 Caster: Standard
 Sway Bar: No
 Oil: 30 Wt
 Piston: Red (56)
 Spring: Green
 Limiters: Nil
 Spindle Height: Down
 Axle Spacer: Narrow
 Steering Type: Rack
 Bump Steer: 0
 Camber Link: B/2 + 1 Washer
 Shock Location: Middle/3
 VLA: Outside (Long)
 Front Wing: No



Notes: _____

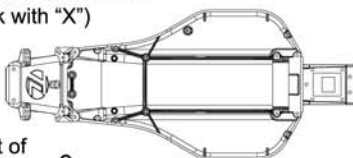
Rear Suspension

Toe: In/3 Deg
 Pivot Support: 2 Deg
 Ride Height: Drive Shaft Level
 Camber: -1 Deg
 Rear Hub Spacing: Middle
 Drive Shafts/Outdrives: Dogbone Steel
 Sway Bar: Nil
 Oil: 30 Wt
 Piston: Orange (55)
 Spring: Pink
 Limiters: Standard/Inside
 Camber Link: A/3 + 3 Washers
 Shock Location: Inside/2
 VLA: Short
 Wing Position/Mount: Bottom
 Body & Wing Type: Standard Body & Wing
 Battery Position: Across Chassis



Notes: _____

Weight Placement
(Mark with "X")



Weight of each piece 0 oz.

Tires:	Type	Compound	Insert	Additive	Motor:
Front:	<u>SCH</u>	<u>Green/Yellow</u>	<u>Losi</u>	<u>Nil</u>	<u>12 X 2</u>
Rear:	<u>SCH</u>	<u>Green/Yellow</u>	<u>Snee</u>	<u>Nil</u>	<u>Spur: 78</u>
					<u>Pinon: 22</u>

Notes: No weight added.

Alloy Front Hinge Pin Mount (Trinity).