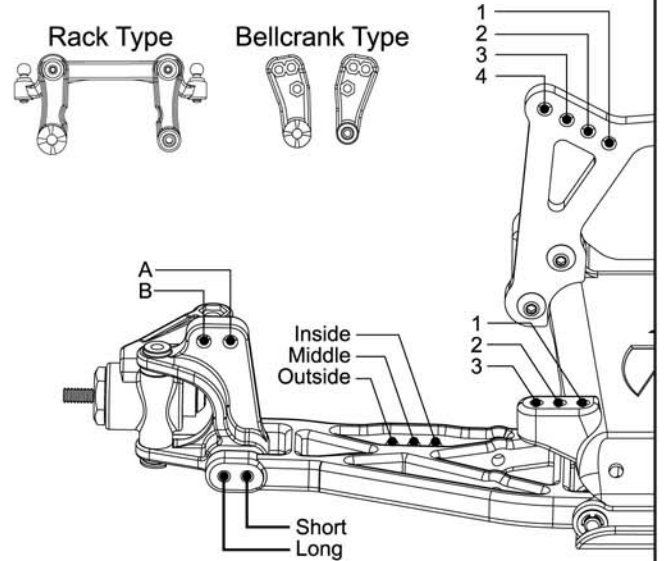


# TENLOS SETUP SHEET XXX-CR

Name: <u>Tony Truman</u>		Date: <u>26/11/06</u>	Event: <u>Winter Series</u>
City: <u>Bicester</u>		State: <u>UK</u>	
Track: <u>CML Raceway</u>			
Track Conditions	<input type="checkbox"/> Indoor <input type="checkbox"/> Tight <input checked="" type="checkbox"/> Smooth <input type="checkbox"/> Hard Packed <input type="checkbox"/> Blue Groove <input checked="" type="checkbox"/> Outdoor <input type="checkbox"/> Open <input type="checkbox"/> Rough <input type="checkbox"/> Loose/Loamy <input type="checkbox"/> Dry	<input checked="" type="checkbox"/> Wet <input checked="" type="checkbox"/> Low Bite <input type="checkbox"/> High Bite <input type="checkbox"/> Dusty <input type="checkbox"/> Med Bite <input type="checkbox"/> Other	<u>Very Wet/But Good.</u>

## Front Suspension

Toe: Out 1 Deg  
 Ride Height: W/B Below  
 Camber: -1 Deg  
 Caster: Standard  
 Sway Bar: No  
 Oil: 25 Wt  
 Piston: Black  
 Spring: Green  
 Limiters: Nil  
 Spindle Height: Top  
 Axle Spacer: Inside  
 Steering Type: Rack  
 Bump Steer: 0  
 Camber Link: B/2  
 Shock Location: Middle/2  
 VLA: Outside (Long)  
 Front Wing: No



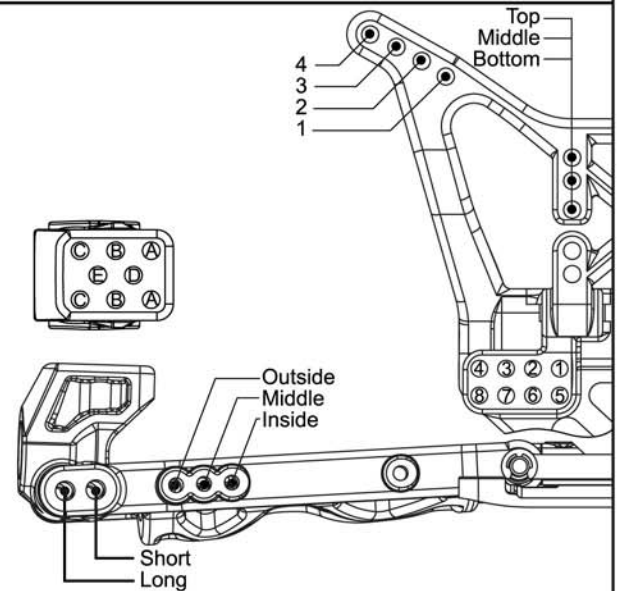
Notes: \_\_\_\_\_

\_\_\_\_\_

\_\_\_\_\_

## Rear Suspension

Toe: Inside 3 Deg  
 Pivot Support: 1 Deg + 1 Washer at back  
 Ride Height: W/B Level  
 Camber: -1 Deg  
 Rear Hub Spacing: Middle  
 Drive Shafts/Outdrives: Steel Dogbone  
 Sway Bar: Nil  
 Oil: 30 Wt  
 Piston: Orange (55)  
 Spring: Pink  
 Limiters: Standard as book  
 Camber Link: A/3 + 3 Washers  
 Shock Location: Inside/2  
 VLA: Narrow (Short)  
 Wing Position/Mount: Middle  
 Body & Wing Type: XXX-CR  
 Battery Position: Across Chassis

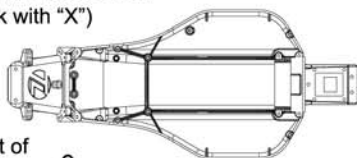


Notes: \_\_\_\_\_

\_\_\_\_\_

\_\_\_\_\_

Weight Placement  
(Mark with "X")



Weight of each piece 0 oz.

Tires:	Type	Compound	Insert	Additive	Motor:
Front:	<u>Ballistic/Spike</u>	<u>Pink</u>	<u>Losi</u>	<u>Nil</u>	<u>12 X 2</u>
Rear:	<u>Ballistic/Spike</u>	<u>Pink</u>	<u>Losi</u>	<u>Nil</u>	<u>78</u>
					<u>Pinon: 22</u>

Notes: \_\_\_\_\_

\_\_\_\_\_