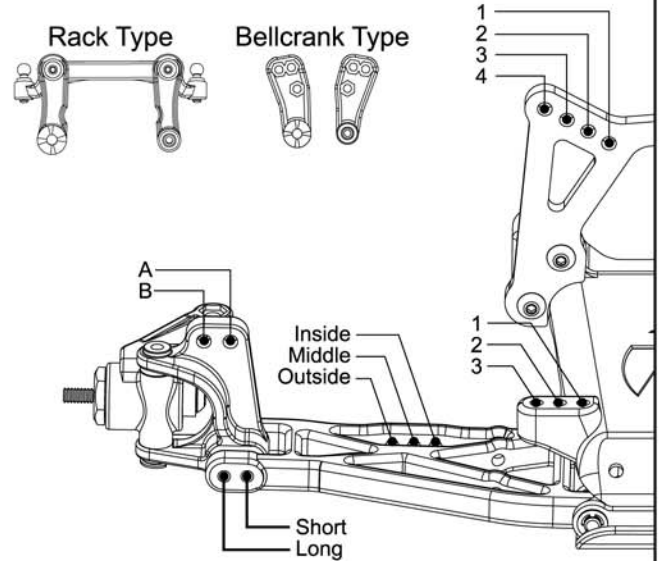


TENLOS SETUP SHEET XXX CR

Name: Richard Taylor Date: _____ Event: Southport Club
 City: Preston State: _____ Track: Southport
 Track Indoor Tight Smooth Hard Packed Blue Groove Wet Low Bite High Bite
 Conditions Outdoor Open Rough Loose/Loamy Dry Dusty Med Bite Other _____

Front Suspension

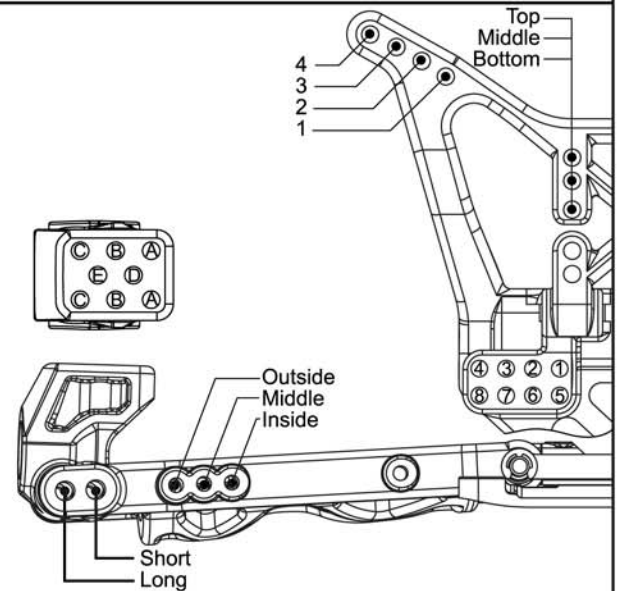
Toe: -1/2 Deg
 Ride Height: 23mm
 Camber: -1
 Caster: 30 deg/Standard
 Sway Bar: No
 Oil: 32/5
 Piston: Orange
 Spring: Blue
 Limiters: N/A
 Spindle Height: Low
 Axle Spacer: Narrow
 Steering Type: Rack
 Bump Steer: 0
 Camber Link: B/2
 Shock Location: 3/Middle
 VLA: Long
 Front Wing: No



Notes: _____

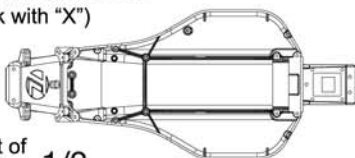
Rear Suspension

Toe: 3 Deg
 Pivot Support: 0 Deg/1 Gold washer and a Front Squat Block.
 Ride Height: 23mm
 Camber: -1
 Rear Hub Spacing: Medium
 Drive Shafts/Outdrives: Steel Dogbone/Steel Outdrive
 Sway Bar: No
 Oil: 32.5
 Piston: Orange
 Spring: Yellow
 Limiters: No
 Camber Link: 2/E
 Shock Location: 2/Middle
 VLA: Short
 Wing Position/Mount: Bottom
 Body & Wing Type: CR
 Battery Position: Against Servo



Notes: _____

Weight Placement
 (Mark with "X")



Weight of each piece 1/2 oz.

Tires: Type SCH Spike Compound Yellow Insert Losi/Firm Additive N/A Motor: 2 Star
 Front: SCH Spike Yellow Losi/Firm N/A Spur: 82
 Rear: SCH Spike Yellow Losi/Firm N/A Pinon: 18
 Notes: Sphere Brushless Speedo