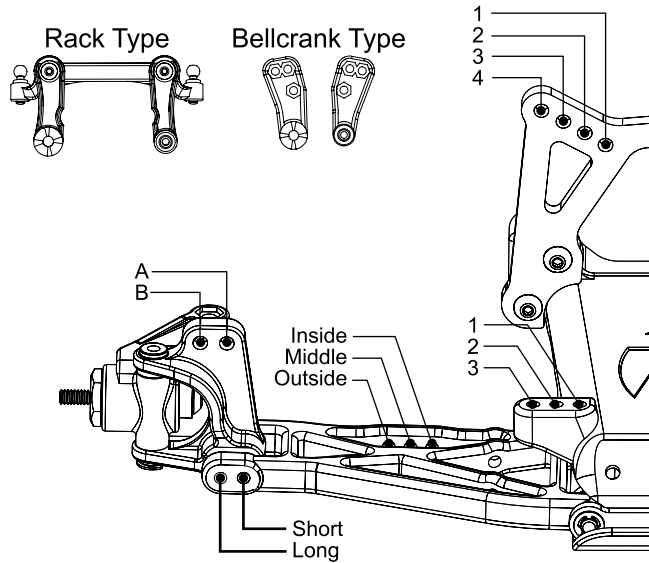


Name: <u>Jesse Robbers</u>	Date: <u>12/27/2006</u>	Event: <u>Standard Indoor + medium b</u>
City: _____ State: _____	Track: _____	
Track <input checked="" type="checkbox"/> Indoor <input checked="" type="checkbox"/> Tight <input checked="" type="checkbox"/> Smooth <input checked="" type="checkbox"/> Hard Packed <input checked="" type="checkbox"/> Blue Groove <input type="checkbox"/> Wet <input checked="" type="checkbox"/> Low Bite <input type="checkbox"/> High Bite Conditions <input type="checkbox"/> Outdoor <input type="checkbox"/> Open <input type="checkbox"/> Rough <input type="checkbox"/> Loose/Loamy <input type="checkbox"/> Dry <input type="checkbox"/> Dusty <input type="checkbox"/> Med Bite <input type="checkbox"/> Other _____		

Front Suspension

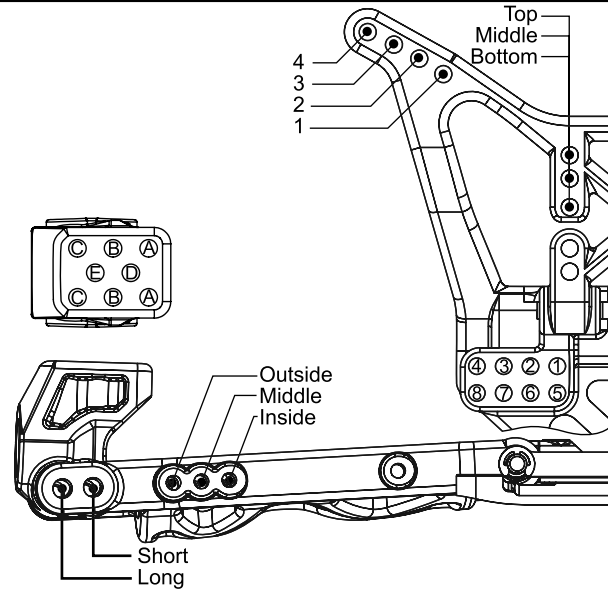
Toe: 0.5° Toe-In _____
 Ride Height: 24mm _____
 Camber: -1° _____
 Caster: 30° (stock) _____
 Sway Bar: no _____
 Oil: 27.5 _____
 Piston: 56 _____
 Spring: orange _____
 Limiters: 0 _____
 Spindle Height: bottom _____
 Axle Spacer: narrow _____
 Steering Type: _____
 Bump Steer: .030 _____
 Camber Link: 2A/2 _____
 Shock Location: 2-outside _____
 VLA: long _____
 Front Wing: none _____



Notes: 31mm \"droop\" = unscrew shock bottomw 1-2 turns

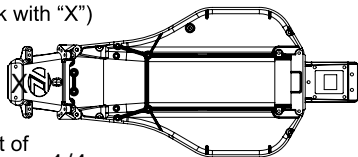
Rear Suspension

Toe: 3° Block, 0° Hubs _____
 Pivot Support: 2° Pivot, 1 Shims (3° total) _____
 Ride Height: 23mm _____
 Camber: -0.5° _____
 Rear Hub Spacing: back° _____
 Drive Shafts/Outdrives: steel CVD's/steel outdrives _____
 Sway Bar: no _____
 Oil: 17.5 _____
 Piston: 57 _____
 Spring: white _____
 Limiters: .060 _____
 Camber Link: 3B/3 _____
 Shock Location: 2-middle _____
 VLA: short _____
 Wing Position/Mount: Forward/Bottom _____
 Body & Wing Type: XXX-CR/XXX-CR (Single Wing) _____
 Battery Position: Forward _____



Notes: 1/8-1/4\" wicker strip

Weight Placement
(Mark with "X")



Weight of each piece 1/4 oz.

Tires:	Type	Compound	Insert	Additive	Motor: <u>12x2 Cobalt</u>
Front:	_____	_____	_____	_____	Spur: <u>78</u>
Rear:	_____	_____	_____	_____	Pinon: <u>21</u>
Notes:	_____				