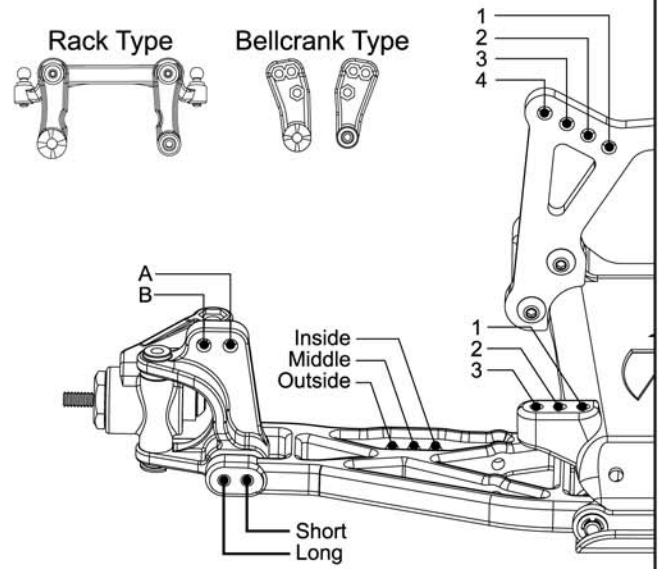


TENSON SETUP SHEET XXX-CR

Name: Brian Preddy Date: _____ Event: Stotfold
 City: _____ State: _____ Track: _____
 Track Indoor Tight Smooth Hard Packed Blue Groove Wet Low Bite High Bite
 Conditions Outdoor Open Rough Loose/Loamy Dry Dusty Med Bite Other _____

Front Suspension

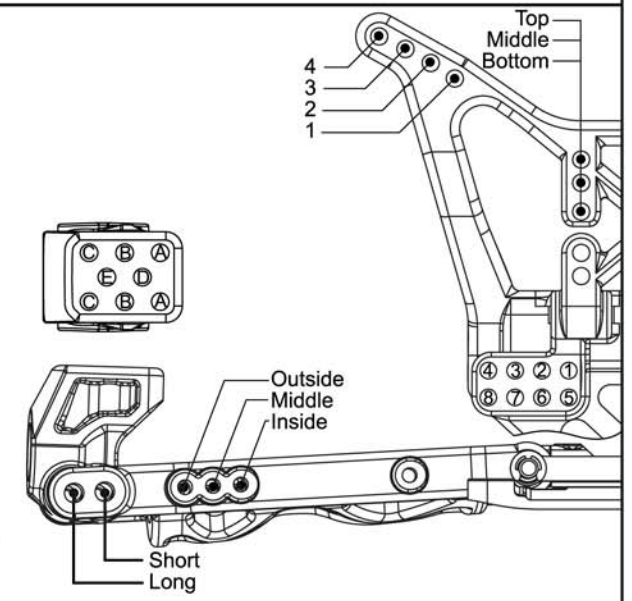
Toe: 0
 Ride Height: Arms Level
 Camber: -1 Deg
 Caster: 30
 Sway Bar: None
 Oil: 35
 Piston: Black
 Spring: Blue
 Limiters: None
 Spindle Height: Low
 Axle Spacer: Narrow
 Steering Type: Rack
 Bump Steer: 0
 Camber Link: B/2
 Shock Location: 3/Middle (Using the XXX-CR stock)
 VLA: Short
 Front Wing: _____



Notes: 15g under servo horn, 10g
either side of servo

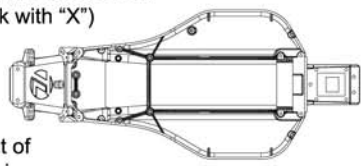
Rear Suspension

Toe: 3 Inboard
 Pivot Support: 0 Deg
 Ride Height: Driveshaft Level
 Camber: -1 Deg
 Rear Hub Spacing: Middle
 Drive Shafts/Outdrives: Steel Dogbone
 Sway Bar: None
 Oil: 40
 Piston: Blue
 Spring: Red
 Limiters: Inside/0.140 Outside/None
 Camber Link: B/6 (2 Gold washers under the ball stud)
 Shock Location: 2/Middle
 VLA: Long
 Wing Position/Mount: Bottom
 Body & Wing Type: _____
 Battery Position: Forward



Notes: _____

Weight Placement
(Mark with "X")



Weight of each piece _____ oz.

Tires: Type _____ Compound _____ Insert _____ Additive _____ Motor: _____
 Front: _____ Spur: _____
 Rear: _____ Pinon: _____
 Notes: _____
