

Name: Aaron Eide		Date: 2/21/2007	Event: trackside
City: Brookfield		State: WI	
Track: Trackside Hobbies			
Track	<input checked="" type="checkbox"/> Indoor	<input checked="" type="checkbox"/> Tight	<input checked="" type="checkbox"/> Smooth
Conditions	<input type="checkbox"/> Outdoor	<input type="checkbox"/> Open	<input type="checkbox"/> Rough
	<input checked="" type="checkbox"/> Hard Packed	<input type="checkbox"/> Blue Groove	<input checked="" type="checkbox"/> Wet
	<input type="checkbox"/> Loose/Loamy	<input type="checkbox"/> Dry	<input type="checkbox"/> Low Bite
			<input checked="" type="checkbox"/> High Bite
			<input type="checkbox"/> Dusty
			<input type="checkbox"/> Med Bite
			<input type="checkbox"/> Other _____

Front Suspension

Toe: 0.5° Toe-Out _____

Ride Height: arms level _____

Camber: -0.5° _____

Caster: 30° (stock) _____

Sway Bar: no _____

Oil: 27.5 _____

Piston: 56 _____

Spring: orange _____

Limiters: 0 _____

Spindle Height: top _____

Axle Spacer: narrow _____

Steering Type: _____

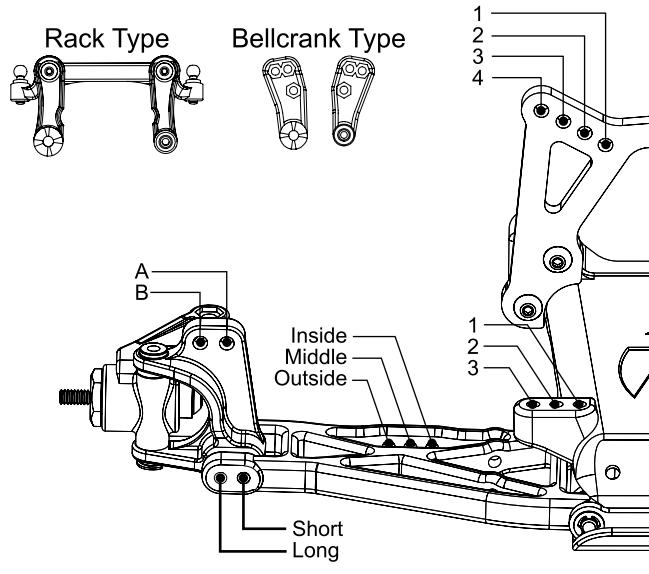
Bump Steer: 0 _____

Camber Link: 2A/0 _____

Shock Location: 2-middle _____

VLA: short _____

Front Wing: none _____



Notes: _____

Rear Suspension

Toe: 3° Block, 0° Hubs _____

Pivot Support: 2° Pivot, 0 Shims (2° total) _____

Ride Height: bones level _____

Camber: -0.5° _____

Rear Hub Spacing: forward _____

Drive Shafts/Outdrives: steel CVD's/steel outdrives _____

Sway Bar: no _____

Oil: 22.5 _____

Piston: 56 _____

Spring: pink _____

Limiters: .030 _____

Camber Link: 3B/4 _____

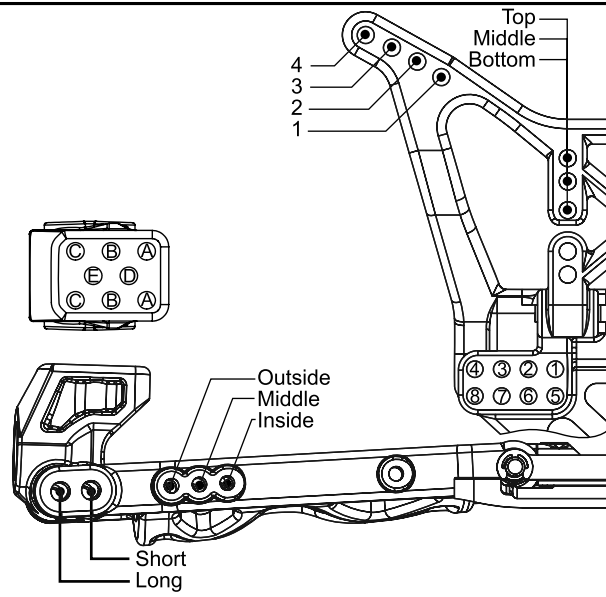
Shock Location: 2-middle _____

VLA: short _____

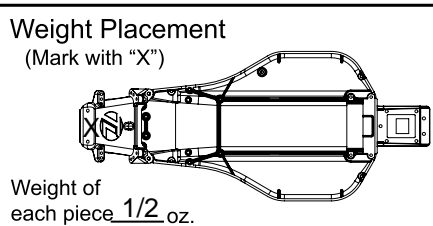
Wing Position/Mount: Back/Bottom _____

Body & Wing Type: XXX-CR/XXX-CR (Dual Wing) _____

Battery Position: Forward _____



Notes: _____



Tires: Type	Compound	Insert	Additive	Motor: <u>12/1</u>
Front: <u>7202</u>	<u>pink</u>	<u>full white rear</u>	<u>buggy</u>	Spur: <u>78</u>
Rear: <u>taper</u>	<u>pink</u>	<u>grey</u>	<u>buggy</u>	Pinon: <u>21</u>

Notes: _____
