



SETUP SHEET

Track: Hot Rod Hobbies

Driver: Greg Hodapp

Date: 8-21-02

- Indoor
- Outdoor
- Tight / Open

- Slick
- Loose Dirt
- Blue-Groove

- Smooth
- Rough
- Extra-Rough

FRONT SUSPENSION

(Circle or Check the Appropriate Settings)

In °
Toe Out 1

Pivot Support: 5F(5°), 7.5F(7.5°), 10F(10°)

X Standard 42F 42R
 Overdrive 41F 42R
 Underdrive 42F 41R

Ride Height Bones above level

Front Drive:
 Diff
 One-Way

Drive Shafts

- Dogbone Aluminum
- CVD Steel

Camber - + 1 °

Diff Plastic
 Steel

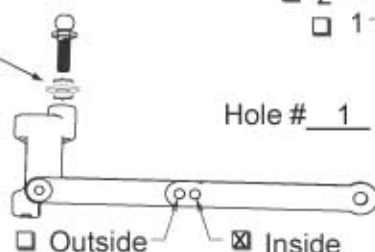
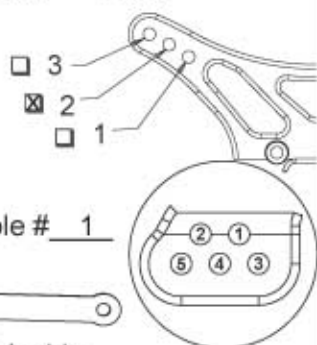
of washers

0

of washers under steering/tie-rod ball studs

Spindle ball stud: 0

Bellcrank ball stud: 0



Front Shocks

Oil: 30
 Piston: 57 Standard / Drilled
 Spring: Green
 Internal Spring: no
 Limiters: Inside- 0 Outside- 0

Notes: Shock end unscrewed 2 full turns to get more travel
 Front Aluminum CVD Kit P/N-LOSA9967 (Coming soon)
 Front Oneway P/N-LOSA3245

REAR SUSPENSION

Pivot Support: -IR(-1°), IR(1°), 3R(3°)

Toe-In Inside 2 °
 Outside 1 °

Ride Height Dogbones level

Camber - + 1/2 °

Diff Plastic Dogbone Aluminum
 Steel CVD Steel

Drive Shafts

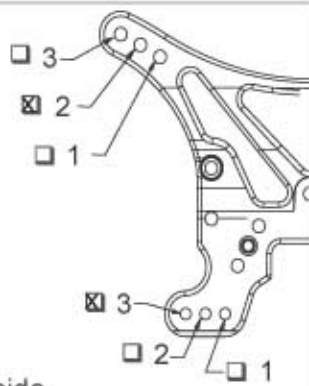
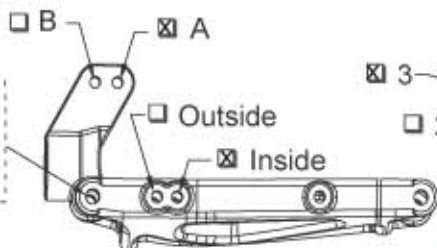
- Sliders Plastic

No

Sway Bar Yes size .055

Hub Spacing

- Forward
- Middle
- Back



Rear Shocks

Oil: 30
 Piston: 56 Standard / Drilled
 Spring: Pink
 Limiters: Inside .130 Outside- 0

Notes:
 Rear Aluminum CVD Kit P/N-LOSA9966 (Coming Soon)
 Rear Sway Bar Kit P/N-LOSA4257 (Coming soon)
 1 Degree XXX Hubs-LOSA9807

Tires:

Compound

Foam

Front: Blockheads Red Trinity Bomb 1

Rear: Taper Pin Red Trinity Bomb 1

Wing Setup: _____

Motor: Peak 10x2

Pinion: 18

Spur: 92

Battery Placement: Back Forward Other: _____

Transponder Position: Behind Servo

Notes: _____