

Setup Sheet

Track: Standard Setup

Driver: Matt Francis

Indoor
 Outdoor

Smooth
 Rough

Slippery
 High-Bite
 Blue-Groove

Date: January 2001

Tight / Open

FRONT SUSPENSION (Circle or Check the Appropriate Settings)

Toe In 1 °
 Out

of washers under steering / tie-rod ball studs

Spindle ball stud: 2

Bellcrank ball stud: 0

Ride Height Arms level

Camber - 1/2 °
 +

Caster Stock 30 °
 Other

Sway Bar No
 Yes size _____

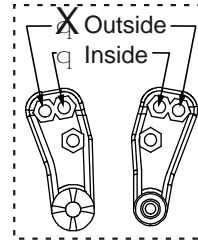
Front Shocks

Oil: 30 wt Losi

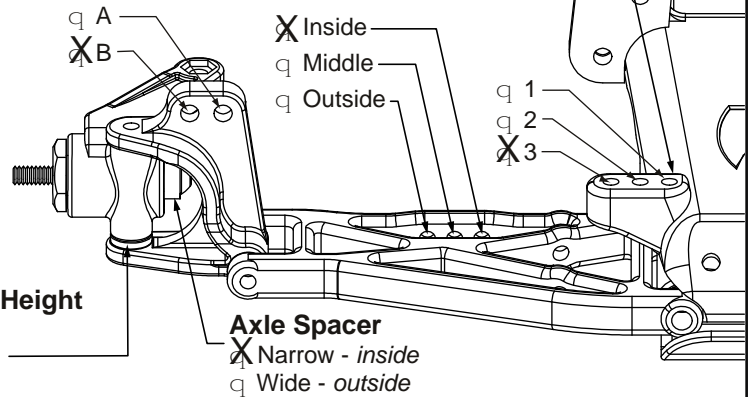
Piston: 57 Standard / Drilled

Spring: Orange

Limiters: Inside- .090 Outside- 0



of washers under ball stud 3



REAR SUSPENSION

Toe-In Inside 3 °
 Outside

Pivot Support 2 No Shim
 Shim Under Front
 Shim Under Rear > # of shims: _____

Ride Height Bones just below level

Camber - 1/2 °
 +

Drive Shafts Dogbones Aluminum
 CVDs Steel

Rear Hub Spacing Forward
 Center
 Rear

Outdrives Steel
 Plastic

Sway Bar No
 Yes size .055

Rear Shocks

Oil: 22.5 wt Losi

Piston: 56 Standard / Drilled

Spring: Yellow

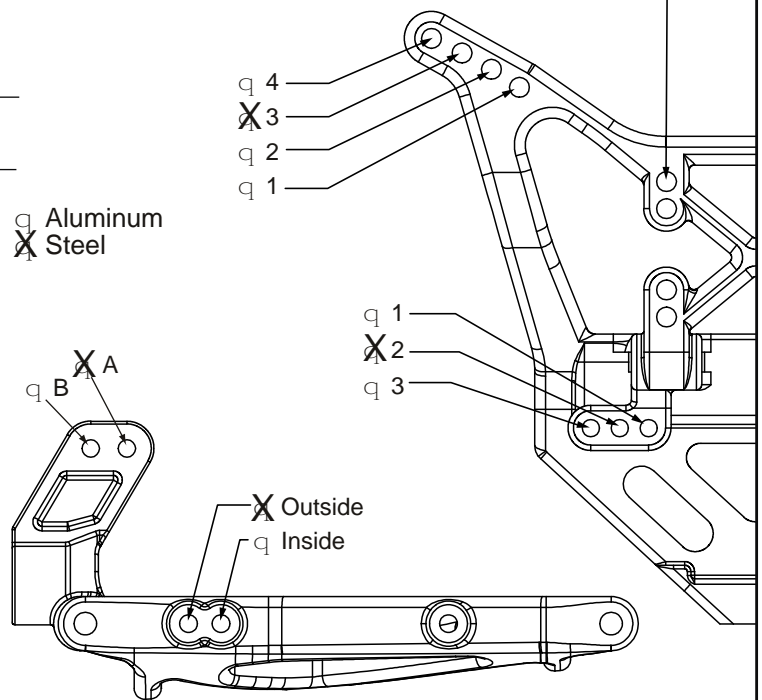
Limiters: Inside- 0 Outside- 0

Wing Position

Forward
 Back

Wing Mount

Top
 Bottom



Tires Front: A-7202 Wide body

Compound Silver

Foam Losi Rear Firm

Motor: 13x2 Pinion/Spur: 22 78

Rear: A-7369 X-2000

Red

Bomb 1

Battery Position: Forward

Notes: _____