

Setup Sheet

Track: Winter Champs Tampa FL

Driver: Brian Kinwald

Indoor
 Outdoor

Smooth
 Rough

Slippery
 High-Bite
 Blue-Groove

Date: February 25 2001

Tight / Open

FRONT SUSPENSION (Circle or Check the Appropriate Settings)

Toe In 1 °
 Out

Ride Height Level

Camber - 1 °
 +

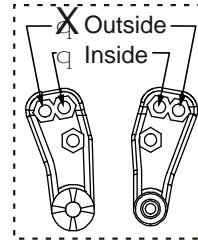
Caster Stock
 Other 30 °

Sway Bar No
 Yes size _____

of washers under steering / tie-rod ball studs

Spindle ball stud: 0

Bellcrank ball stud: 0



of washers under ball stud
1

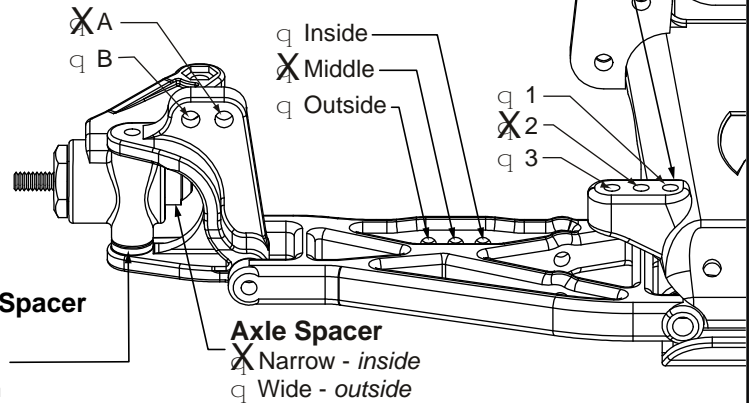
Front Shocks

Oil: 35 wt Losi

Piston: 55 Standard / Drilled

Spring: Silver

Limiters: Inside- .060 Outside- 0



Spindle Spacer

Top
 Middle
 Bottom

Axle Spacer

Narrow - inside
 Wide - outside

REAR SUSPENSION

Toe-In Inside 3 °
 Outside

Pivot Support 2 No Shim
 Shim Under Front
 Shim Under Rear > # of shims: _____

Ride Height Bones level

Camber - 0 °
 +

Drive Shafts Dogbones Aluminum
 CVDs Steel

Rear Hub Spacing Forward
 Center
 Rear

Outdrives Steel
 Plastic

Sway Bar No
 Yes size _____

Rear Shocks

Oil: 30 wt Losi

Piston: 56 Standard / Drilled

Spring: Yellow

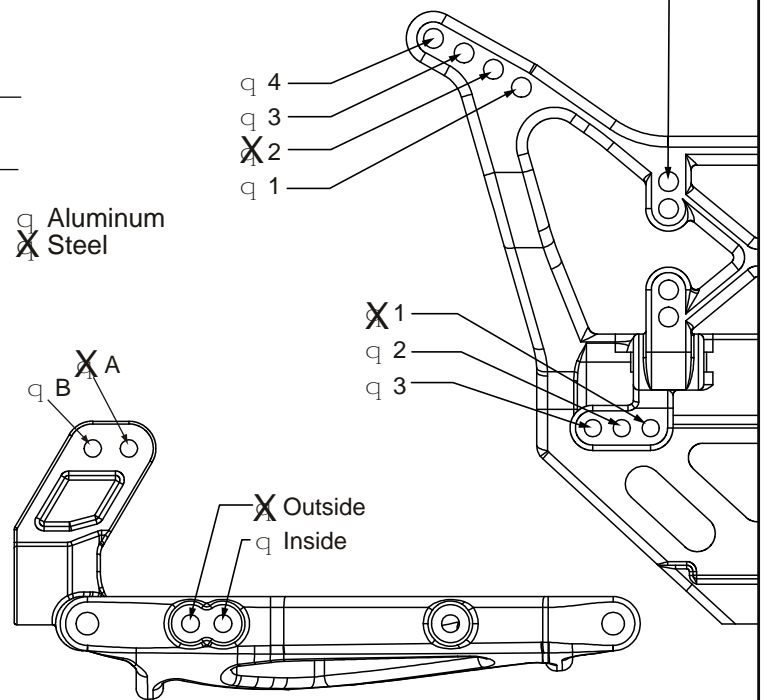
Limiters: Inside- 0 Outside- 0

Wing Position

Forward
 Back

Wing Mount

Top
 Bottom



Tires Front: A-7285 4wd Taper Cut

Compound Red

Foam Losi Firm

Motor: 10x2 Pinion/Spur: 20 78

Rear: A-7371 BK Bar

Red

Bomb 1

Battery Position: Middle

Notes: All graphite car, 1/4 ounce + aluminum front bulkhead