



Setup Sheet

Track: Standard Setup

Driver: Adam Drake

Indoor
 Outdoor

Smooth
 Rough

Slippery
 High-Bite
 Blue-Groove

Date: January 2001

Tight / Open

FRONT SUSPENSION (Circle or Check the Appropriate Settings)

Toe In 1 °
 Out

of washers under steering / tie-rod ball studs

Spindle ball stud: 1

Bellcrank ball stud: 0

Ride Height Arms just below level

Camber - 1 °
 +

Caster Stock
 Other 30 °

Sway Bar No
 Yes size _____

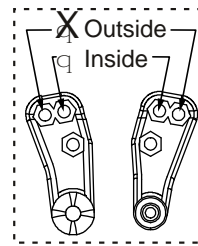
Front Shocks

Oil: 25 wt Losi

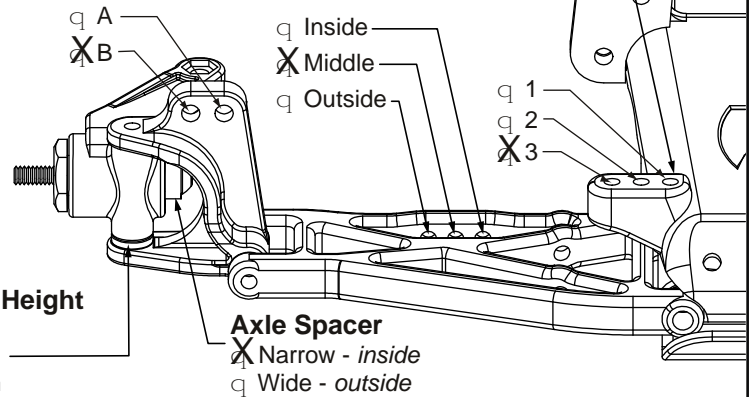
Piston: 56 Standard / Drilled

Spring: Silver

Limiters: Inside- .030 Outside- 0



of washers under ball stud 1



REAR SUSPENSION

Toe-In Inside 3 °
 Outside

Pivot Support 1 No Shim
 Shim Under Front
 Shim Under Rear > # of shims: _____

Ride Height Bones level

Camber - 1/2 °
 +

Drive Shafts Dogbones Aluminum
 CVDs Steel

Rear Hub Spacing Forward
 Center
 Rear

Outdrives Steel
 Plastic

Sway Bar No
 Yes size _____

Rear Shocks

Oil: 27.5 wt Losi

Piston: 56 Standard / Drilled

Spring: Red

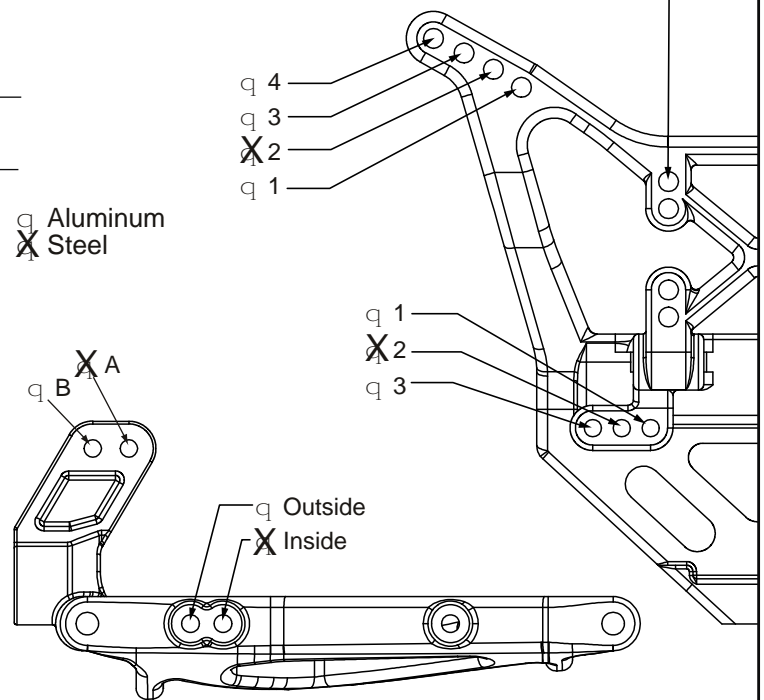
Limiters: Inside- .080 Outside- 0

Wing Position

Forward
 Back

Wing Mount

Top
 Bottom



Tires Front: A-7202 Wide body

Compound Silver

Foam 3/4 Losi Firm

Motor: 13x2 Pinion/Spur: 23 78

Rear: A-7369 X-2000

Compound Silver

Foam Bomb 2 stage

Battery Position: Forward

Notes: All graphite car