

Setup Sheet

Track: Cactus Classic SRS AZ.

Driver: Matt Francis

Indoor
 Outdoor

Smooth
 Rough

Slippery
 High-Bite
 Blue-Groove

Date: March 25, 2001

Tight / Open

FRONT SUSPENSION (Circle or Check the Appropriate Settings)

Toe In 0°
 Out

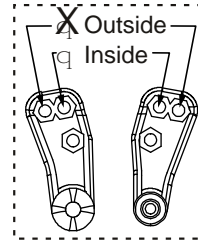
Ride Height Arms just above level

Camber - 1/2°
 +

Caster Stock
 Other 30°

Sway Bar No
 Yes size _____

of washers under steering / tie-rod ball studs
Spindle ball stud: 0
Bellcrank ball stud: 0



of washers under ball stud
.030

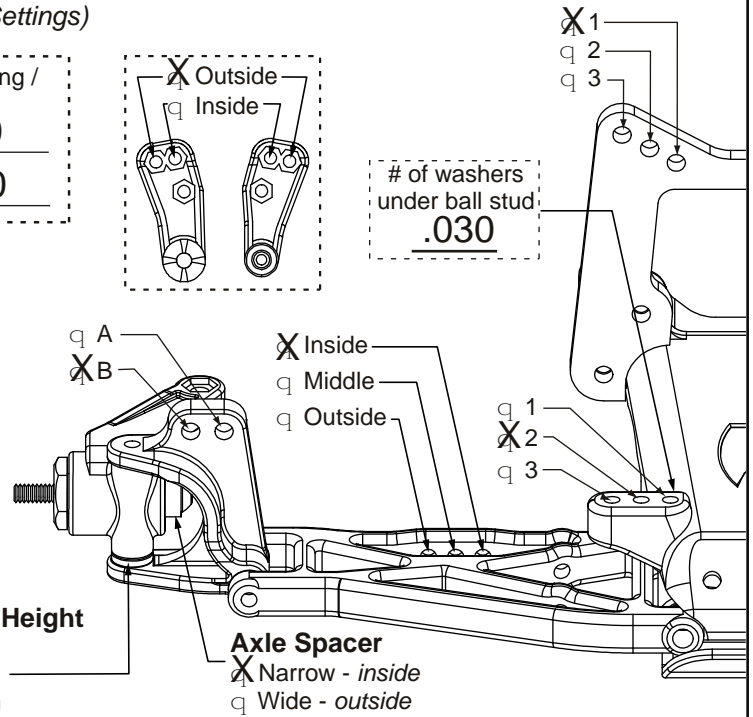
Front Shocks

Oil: 25 wt Losi

Piston: 60 Standard / Drilled

Spring: Cut Orange 2 coils

Limiters: Inside- A Outside- 0



REAR SUSPENSION

Toe-In Inside 3°
 Outside

Pivot Support 2 No Shim
 Shim Under Front
 Shim Under Rear > # of shims: _____

Ride Height Bones level

Camber - 1/2°
 +

Rear Hub Spacing Forward
 Center
 Rear

Sway Bar No
 Yes size _____

Drive Shafts Dogbones Aluminum
 CVDs Steel

Outdrives Steel
 Plastic

Rear Shocks

Oil: 22.5 wt Losi

Piston: 57 Standard / Drilled

Spring: Yellow

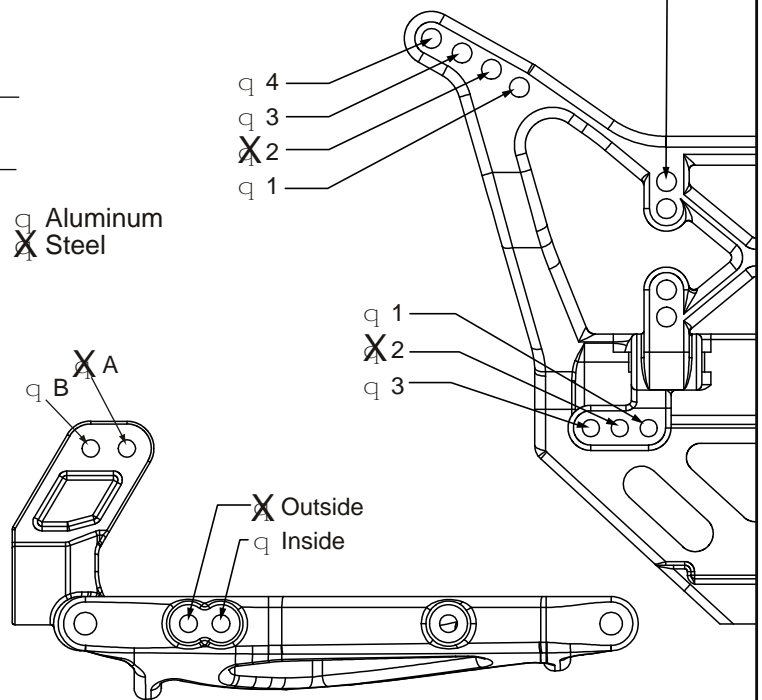
Limiters: Inside- .060 Outside- 0

Wing Position

Forward
 Back

Wing Mount

Top
 Bottom



Tires

Front: A-7202 Wide body

Compound

Gold

Foam

Losi Firm

Motor: 12x2 Pinion/Spur: 23 92

Rear: A-7372 Taper Pin

Red

Bomb 2 Wht/Grey

Battery Position: 1/8" Back

Notes: Front and Rear Wings and All Graphite Car