



## Kinwald Edition



# PRICELIST EXPLODED VIEW

Effective: 3/01/01

©2001 Horizon Hobby, Inc.

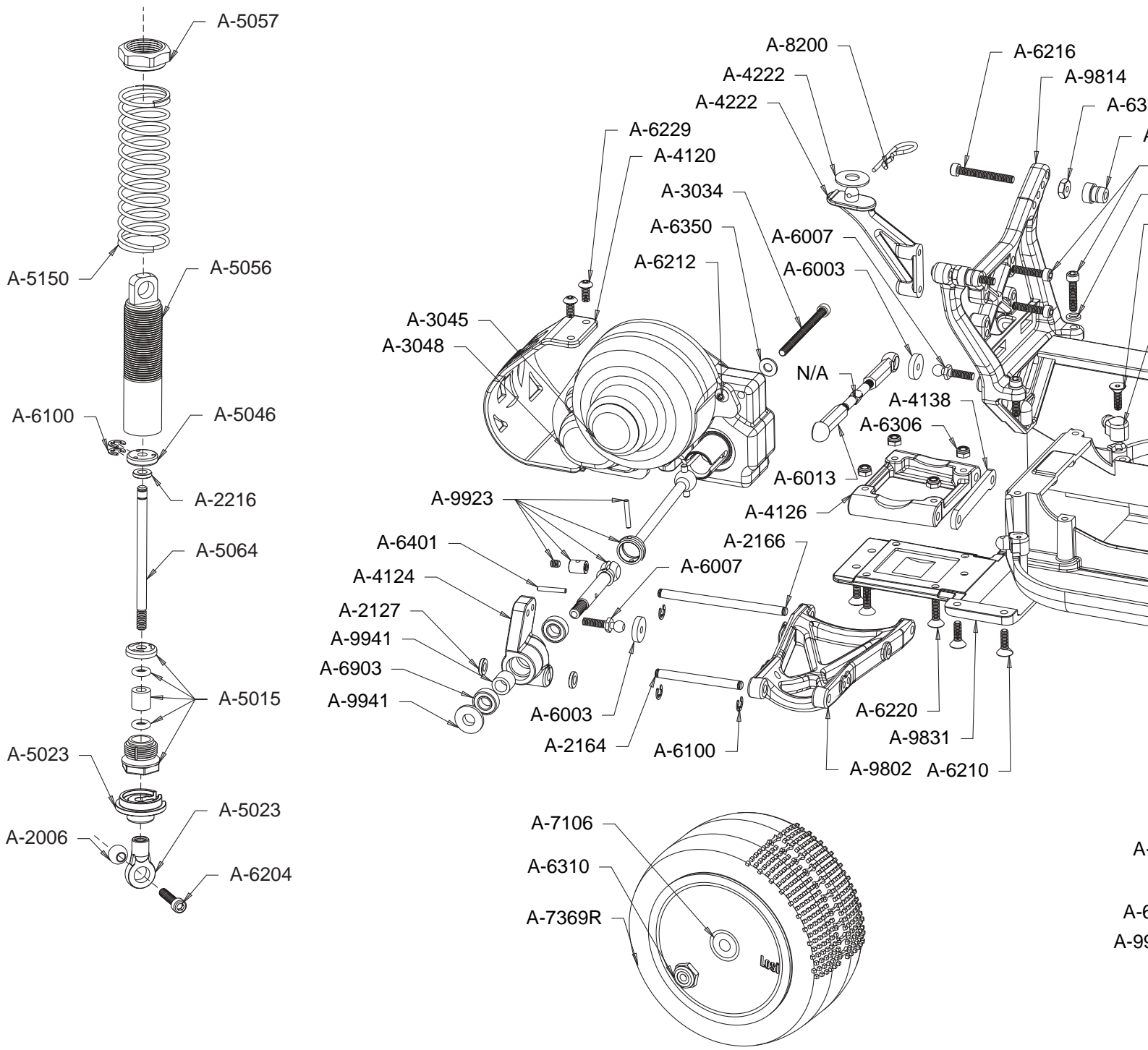
NOT RESPONSIBLE FOR TYPOGRAPHICAL ERRORS

ALL PRICES SUBJECT TO CHANGE WITHOUT NOTICE

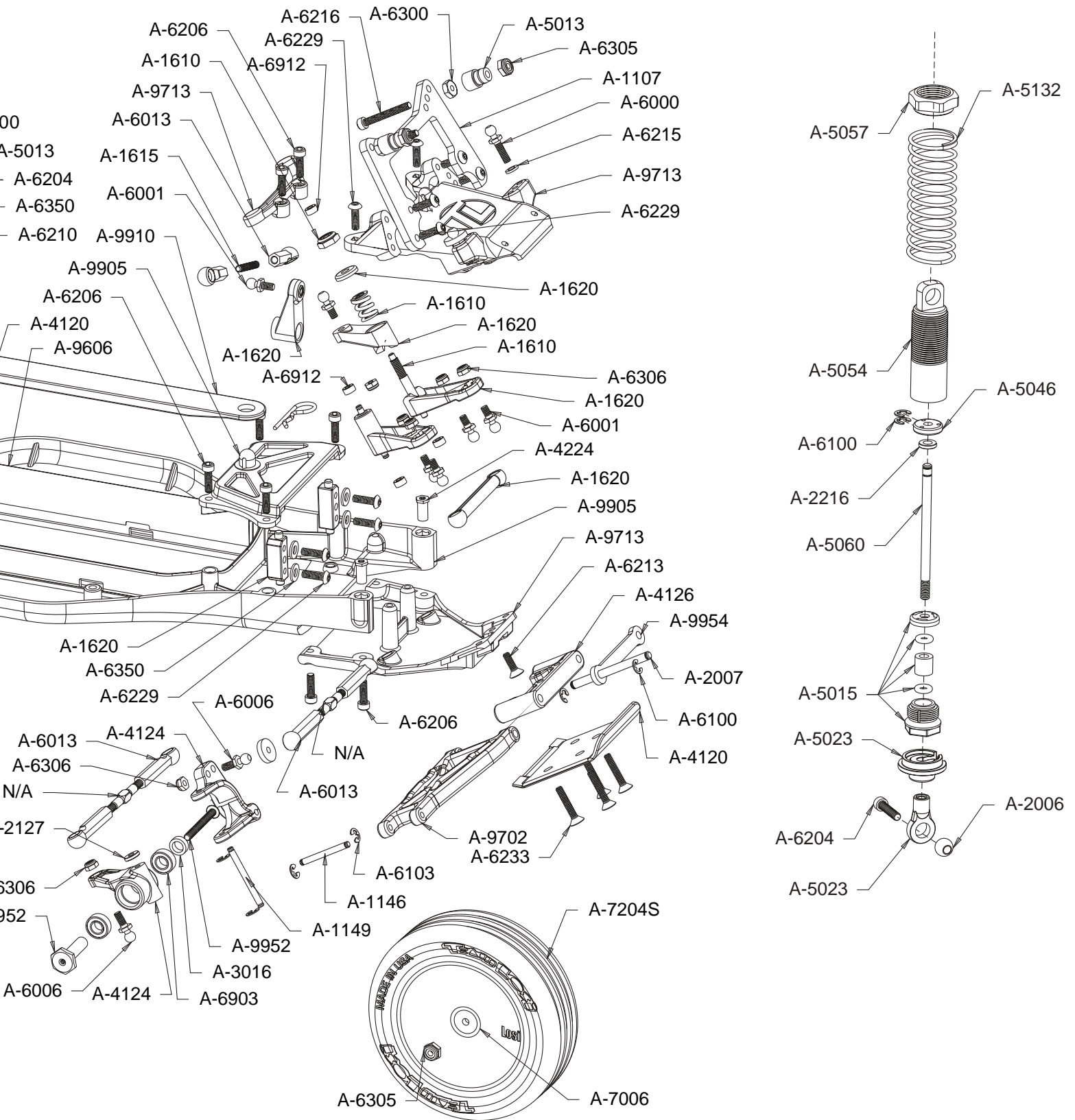
### TEAM LOSI PERFORMANCE

### CHOICE OF CHAMPIONS

A-0029 Triple-X Kinwald Edition .....		A-5013 Front and Rear Upper Shock Mount Bushings (XXX) ..	\$3.00
A-1107 Front Shock Tower (XXX) .....	\$6.00	A-5015 Double O-Ring Shock Cartridge .....	\$2.00
A-1146 Front Outer & King Pins 3/32" x .870 (XX, XXX) .....	\$3.00	A-5023 Spring Clamps & Cups .....	\$2.50
A-1149 Front Outer & King Pins 3/32" (XXT, XXX) .....	\$3.00	A-5046 Teflon™ Shock Pistons #56 (Red) (4) .....	\$3.00
A-1610 Steering Hardware Set .....	\$3.50	A-5054 .6" Threaded Shock Body Set with Nuts .....	\$19.95
A-1615 Short Ball Cups and Threaded Rod .....	\$2.75	A-5055 .9" Threaded Shock Body Set with Nuts .....	\$19.95
A-1620 Steering/Servo Mount Assembly (Molded)(XXX) .....	\$6.00	A-5057 Threaded Shock Body Adjustment Nuts (4) .....	\$4.50
A-2006 Swivel Suspension Balls .250" (8) .....	\$4.00	A-5060 .6" Titanium Nitrided Shock Shaft .....	\$7.00
A-2007 Hinge Pin 1.42" (XXT, XXX) .....	\$3.00	A-5064 1.0" Titanium Nitrided Shock Shaft .....	\$7.00
A-2127 Rear Hub Spacers (.060") .....	\$2.50	A-5132 2" Spring 3.5 Rate (Green) .....	\$2.50
A-2164 1/8" Upper Bulkhead / Outer Rear Hinge Pin (2) .....	\$3.00	A-5150 2.5" Spring 2.3 Rate (Pink) .....	\$2.50
A-2166 Inner Rear Hinge Pins (XXX) .....	\$3.00	A-5224 Team Losi Certified Shock Fluid 30wt .....	\$3.50
A-2216 Rear Hub Spacers (.050") .....	\$2.50	A-6000 Ball Studs w/Rod Ends 4-40 x 3/8" (4) .....	\$3.50
A-3016 Axle Spacers .....	\$1.25	A-6001 Ball Studs w/Rod Ends 4-40 x 3/16" (4) .....	\$3.50
A-3033 Transmission Case Set and Spacers (XXX) .....	\$6.00	A-6003 Foam Things (Linkage Rings) (24) .....	\$1.50
A-3034 Transmission Screw Set (XXX) .....	\$2.50	A-6006 Ball Studs w/Rod Ends 4-40 x 1/4" (4) .....	\$3.50
A-3036 2.43:1 Diff Gear .....	\$2.50	A-6007 Ball Studs w/Rod Ends (Short Neck) .....	\$3.50
A-3045 Slipper Gear Cover Plug (4) .....	\$1.50	A-6013 H.D. 30 Degree Plastic Rod Ends - Brite Blue .....	\$6.00
A-3048 Gear Cover with Access Plug (XXX) .....	\$3.00	A-6030 Assembly Wrench (version 2) .....	\$1.50
A-3065 Silicone Differential Compound .....	\$2.50	A-6100 1/8" E-Clips .....	\$1.25
A-3066 Teflon™ Assembly Grease .....	\$2.50	A-6103 E-Clips 3/32" .....	\$1.25
A-3070 Transmission Drive Rings (2) .....	\$2.00	A-6201 3mm x 8mm Cap-Head w/Washers (10) .....	\$3.00
A-3072 Differential Tube .....	\$2.25	A-6204 4-40 x 1/2" Cap-Head Screws (10) .....	\$1.50
A-3073 Outdrive Cup/Diff Half .....	\$7.00	A-6206 4-40 x 3/8" Cap-Head screws (10) .....	\$1.50
A-3075 Upper Gear and Hardware 2.19:1 (All XX, XXX) .....	\$6.00	A-6210 4-40 x 3/8" Flat-Head Screws (10) .....	\$1.50
A-3077 Transmission Upper Gear, Idler, Shaft .....	\$6.00	A-6212 4-40 x 1/8" Button-Head Screws (4) .....	\$1.25
A-3078 Differential Screw, Hardware, and Seal .....	\$3.50	A-6213 4-40 x 1/4" Flat-Head Screws (10) .....	\$1.25
A-3079 Idler Gear (2.19:1 and 2.43:1) .....	\$3.50	A-6215 #4 Narrow Washers (10) .....	\$1.25
A-3099 Full Compliment Thrust Bearing Set .....	\$4.00	A-6216 4-40 x 7/8" Cap-Head Screws (10) .....	\$1.50
A-3123 Slipper Pad .....	\$3.00	A-6220 4-40 x 1/2" Flat-Head Screws (10) .....	\$1.50
A-3124 Slipper Spring, Cup, Spacer, Bushing, and Washer ..	\$3.00	A-6229 4-40 x 3/8" Button-Head Screws (10) .....	\$2.00
A-3132 Slipper Backing Plate .....	\$6.00	A-6230 Shim Assortment - 3/16", 1/4", 1/2" (20) .....	\$2.50
A-3932 78T 48-Pitch Spur Gear .....	\$3.50	A-6233 4-40 x 5/8" Flat-Head Screws (10) .....	\$2.50
A-4002 Antenna Kit .....	\$2.25	A-6300 4-40 Hex Nuts (10) .....	\$1.00
A-4003 Antenna Caps (8) .....	\$1.25	A-6305 4-40 Aluminum Locknuts, Low Profile (10) .....	\$3.50
A-4004 Servo Tape (6) .....	\$1.75	A-6306 4-40 Aluminum Mini Nuts (10) .....	\$3.50
A-4120 Front Bumper, Motor Guard, & Body Mts.(Blue) .....	\$6.50	A-6310 8.32 Aluminum Lock Nuts - Low Profile (6) .....	\$4.50
A-4124 Front Spindles/Carriers and Rear Hubs (XXX) .....	\$8.50	A-6350 #4 and 1/8" Hardened Washers (24) .....	\$2.50
A-4126 Front and Rear Pivot Block Set (XXX) .....	\$6.00	A-6401 Pins — Wheels and Gears (6) .....	\$1.25
A-4138 Aluminum Rear Hinge Pin Brace .....	\$2.75	A-6903 3/16" x 3/8" Teflon™-Sealed Bearings (2) .....	\$5.50
A-4222 Wing Mount Set (XX-4, XXX) .....	\$7.00	A-6907 5mm x 8mm Bearings (2) .....	\$6.50
A-4224 Threaded Chassis Inserts - Short and Long .....	\$6.50	A-6908 1/2" x 3/4" Ball Bearings w/Teflon Seal (2) .....	\$13.50



A-6909	1/8" x 3/8" Ball Bearings ('XX' Trans) (2)	\$6.00	A-8041	"PHOBIA" Body & Wing Set w/Masks (XXX)	\$18.00
A-6912	3/32" x 3/16" Bearing for Steering (XX, XXT) (4)	\$19.95	A-8113	"PHOBIA" Wing (XXX)	\$2.50
A-6951	3/32" Carbide Diff Balls (12)	\$10.95	A-8200	Body Clips (12)	\$1.25
A-7006	Wide Front (solid) Wheels - Blue (XXX)	\$6.00	A-8349	Kinwald Edition Sticker Sheet (XXX)	\$4.00
A-7106	Wide Rear (solid) Wheels - Blue (All XX, XX4, XXX) ...	\$6.00	A-9606	Battery Box Insulation (Diecut)	\$5.00
A-7204S	Front Xtra-Wide Tires (Silver) w/Foam (wide wheels)	\$11.00	A-9702	Graphite/Composite Front Suspension Arms (XXX) ...	\$10.50
A-7297	Front 4WD & XTRA-Wide Foam Liners - Firm	\$2.50	A-9713	Graphite Kickplate, Bulkhead, & Steering Brace	\$16.00
A-7369R	2.2" Rear X-2000 Tires (Red) w/Foam	\$12.00	A-9802	Graphite/Comp. Rear Suspension Arms (XX, XXX) ...	\$11.50
A-7398	Buggy Rear Foam Liners - Firm	\$2.50	A-9814	Graphite/Composite Rear Shock Tower (XXX)	\$11.50



- A-9831 Graphite/Composite Rear Pivot Plate (XXX) .....\$6.50
- A-9905 Graphite/Composite Chassis & Brace (XXX) .....\$47.50
- A-9910 Graphite/Composite Battery Hold-Down Strap (XXX) ...\$6.00
- A-9923 CVD Set for (XX, XXX, XX-4) .....\$30.00
- A-9930 Aluminum Gear/Slipper Shaft 2.19:1 (XX), (All XXX) .. \$11.95
- A-9941 Bearing Spacer/Wheel Washer Set ..... \$9.95
- A-9952 Aluminum Front Axels & Screws - Blue (XXX) ..... \$8.50
- A-9954 Aluminum Front Hinge Pin Brace - Blue (XXX/T/NT) .... \$3.50
- A-9980BL Triple-X Lightened Motor Plate - Anodized Blue .....\$10.00





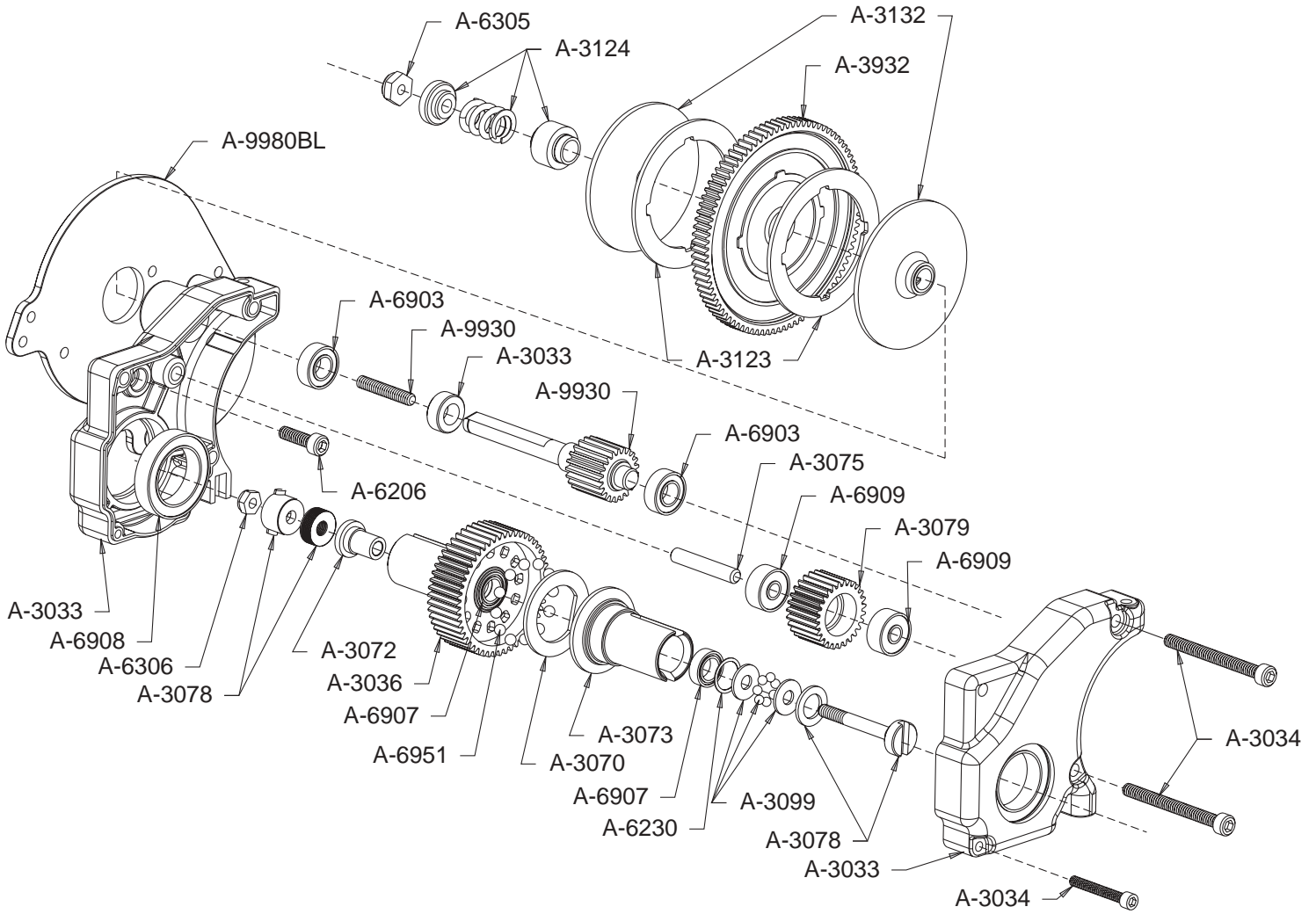
Always Racing Towards The Future.



KINWALD EDITION

13848 Magnolia Ave., Chino, CA 91710, 909.465.9728  
 fax: 909.590.1496 / www.TeamLosi.com / feedback@TeamLosi.com

800-0162



**Optional Parts For The Triple-X Kinwald Edition**

A-3013	Molded Universal Set (Buggy)	\$5.50	A-7005	Wide Front (solid) Wheels - White (XXX)	\$6.00
A-3014	Universal Pivots	\$4.50	A-7104	Wide Rear (solid) Wheels - Yellow (All XX, XX-4, XXX)	\$6.00
A-3015	Rear Axel, Spacer, & Pin	\$6.00	A-7105	Wide Rear (solid) Wheels - White (All XX, XX-4, XXX)	\$6.00
A-3081	Buggy Dogbones/Drive Shaft w/Yoke (XX, XXX, XX4)	\$7.50	A-7880	Team Losi Tire Glue	\$7.50
A-3095	Molded Outdrive Set(XX/T bushing, XXX-Spec)	\$12.95	A-9605	Chassis Protection Material	\$9.00
A-3112	Hydra-Drive Conversion Kit for Double-Disk Slipper	\$39.95	A-9924	Buggy Aluminum Dogbone/Drive Shaft w/Yoke	\$9.95
A-3929	86-Tooth, 48-Pitch Spur Gear for Double-Disk Slipper	\$3.50	A-9940	Aluminum Hardcoated Suspension Balls	\$3.95
A-3930	84-Tooth, 48-Pitch Spur Gear for Double-Disk Slipper	\$3.50	A-9945	Titanium Ball Studs w/Hex Head .188"	\$9.00
A-3933	76-Tooth, 48-Pitch Spur Gear for Double-Disk Slipper	\$3.50	A-9946	Titanium Ball Studs w/Hex Head .250"	\$9.00
A-4118	Front Bumper, Motor Guard, and Mnts. (Black) (XXX/T)	\$6.50	A-9947	Titanium Ball Studs w/Hex Head .380"	\$9.00
A-4119	Front Bumper, Motor Guard, and Body Mnts. (Yellow)	\$6.50	A-9980BK	Triple-X Lightened Motor Plate - Anodized Black	\$10.00
A-6400	3/32" Pins for U-Joint	\$1.25	A-9980P	Triple-X Lightened Motor Plate - Anodized Purple	\$10.00
A-7004	Wide Front (solid) Wheels - Yellow (XXX)	\$6.50	A-9980R	Triple-X Lightened Motor Plate - Anodized Red	\$10.00