



Offert par www.petitrc.fr.st

Setup Sheet

Track: Fleury Les Aubrais - 100 % Carpet

Driver: SCHIANO Eric

Date: 18 & 19 /11/2000

- Indoor Smooth Slippery
- Outdoor Rough High-Bite
- Tight / Open Blue-Groove

FRONT SUSPENSION

(Circle or Check the Appropriate Settings)

Toe In Out 0 °

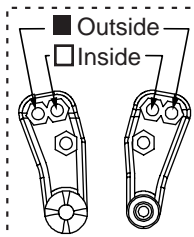
Ride Height Drive shaft level

Camber - + 1 °

Caster Stock Other °

Sway Bar No Yes size

of washers under steering / tie-rod ball studs
Spindle ball stud: /
Bellcrank ball stud: /



of washers under ball stud: 1

- 1
- 2
- 3

Front Shocks

Oil: 35

Piston: 5 5 6 Standard / Drilled

Spring: Green

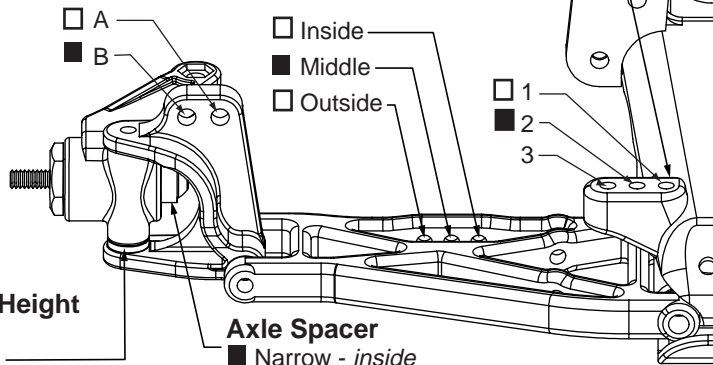
Limiters: Inside- 0 / Outside- /

Spindle Height

- Top
- Middle
- Bottom

Axle Spacer

- Narrow - inside
- Wide - outside



REAR SUSPENSION

Toe-In Inside 0 ° Outside °

Pivot Support No Shim Shim Under Front Shim Under Rear } # of shims: 2

Ride Height Dogs levels

Camber - + 1.5 °

Rear Hub Spacing Forward Center Rear

Sway Bar No Yes size

Drive Shafts Dogbones Aluminum CVDs Steel

Outdrives Steel Plastic

Wing Position

- Forward
- Back

Wing Mount

- Top
- Bottom

- 4
- 3
- 2
- 1

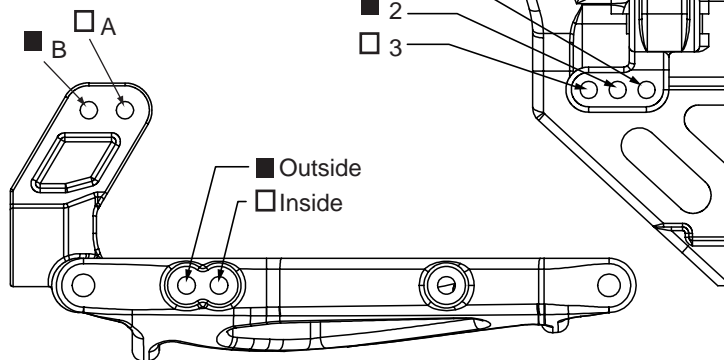
Rear Shocks

Oil: 30

Piston: Pink Standard / Drilled

Spring: Red

Limiters: Inside- / Outside- /



Tires Front: Schum Mini Pin

Tires Rear: Schum Mini Pin

Compound Yellow

Compound Yellow

Foam No

Foam Soft

Motor: 11 x 2 Pinion/Spur: 19 / 82

Battery Position: FORWARD

Notes: Eric's come back !