

Name: _____	Date: _____
City: _____ State: _____	Event: _____
Track: _____	

Track Conditions	<input type="checkbox"/> Indoor	<input type="checkbox"/> Tight	<input type="checkbox"/> Smooth	<input type="checkbox"/> Hard Packed	<input type="checkbox"/> Blue Groove	<input type="checkbox"/> Wet	<input type="checkbox"/> Grass	<input type="checkbox"/> Low Bite	<input type="checkbox"/> High Bite
	<input type="checkbox"/> Outdoor	<input type="checkbox"/> Open	<input type="checkbox"/> Rough	<input type="checkbox"/> Loose/Loamy	<input type="checkbox"/> Dry	<input type="checkbox"/> Dusty	<input type="checkbox"/> Astro Turf	<input type="checkbox"/> Med Bite	<input type="checkbox"/> Other _____

**FRONT SUSPENSION**

Ride Height: \_\_\_\_\_

Camber: \_\_\_\_\_

Toe: \_\_\_\_\_

Forward Front Pill: 0 .5 1 △ ▽

Rearward Front Pill: 0 .5 1 In Out

Steering Ackerman: Long Short

Bump Steer: \_\_\_\_\_

Camber Link: \_\_\_\_\_

Sway Bar: \_\_\_\_\_

Shock Type: Bladder Emulsion Oil: \_\_\_\_\_

Piston: \_\_\_\_\_

Spring: \_\_\_\_\_

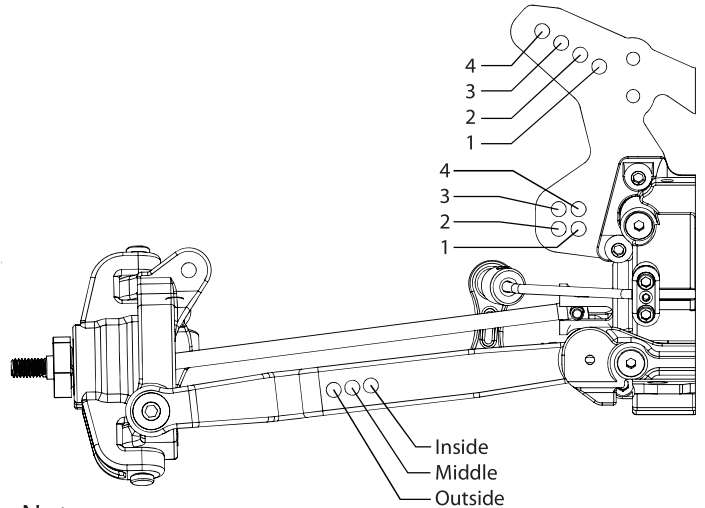
Shock Limiters: \_\_\_\_\_ Stroke: \_\_\_\_\_

Overall Shock Length: \_\_\_\_\_

Shock Location: \_\_\_\_\_

Front Diff Fluid: \_\_\_\_\_

Center Diff Fluid: \_\_\_\_\_



Notes:

**REAR SUSPENSION**

Ride Height: \_\_\_\_\_

Camber: \_\_\_\_\_

Forward Rear Pill: 0 .5 1 △ ▽

Rearward Rear Pill: 0 .5 1 In Out

Camber Link: \_\_\_\_\_

Rear Hub Spacing: \_\_\_\_\_

Sway Bar: \_\_\_\_\_

Shock Type: Bladder Emulsion Oil: \_\_\_\_\_

Piston: \_\_\_\_\_

Spring: \_\_\_\_\_

Shock Limiters: \_\_\_\_\_ Stroke: \_\_\_\_\_

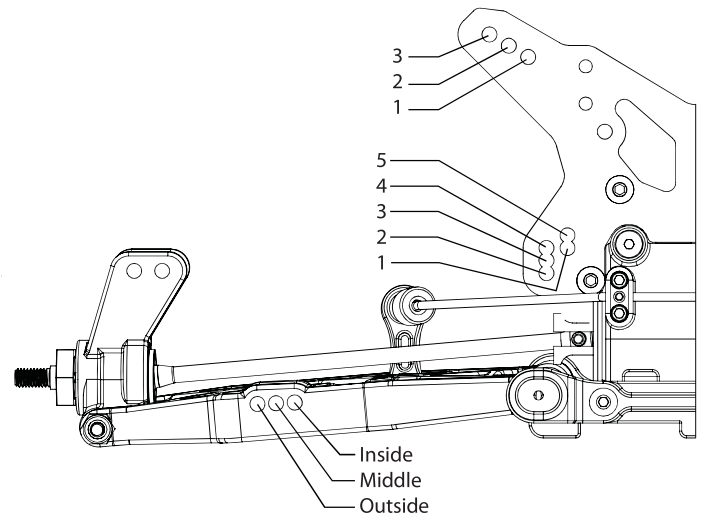
Overall Shock Length: \_\_\_\_\_

Shock Location: \_\_\_\_\_

Rear Diff Fluid: \_\_\_\_\_

Battery Position: \_\_\_\_\_

Notes:

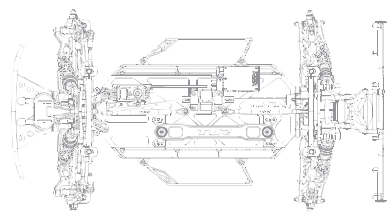


**ELECTRONICS**

Radio: _____	Timing Advance: _____
Servo: _____	Throttle/Brake Expo: _____
ESC: _____	Servo Expo: _____
Initial Brake: _____	Throttle/Brake EPA: _____
Drag Brake: _____	Motor: _____
Throttle Profile: _____	Pinion: _____ Spur: _____
	Battery: _____

**WEIGHT PLACEMENT**

**TIRES**



	Compound	Insert	Additive
Front: _____	_____	_____	_____
Rear: _____	_____	_____	_____
Notes:			