

| | |
|--------------------------|--------------|
| Name: _____ | Date: _____ |
| City: _____ State: _____ | Event: _____ |
| Track: _____ | |

| | | | | | | | | | |
|------------------|----------------------------------|--------------------------------|---------------------------------|--------------------------------------|--------------------------------------|--------------------------------|-------------------------------------|-----------------------------------|--------------------------------------|
| Track Conditions | <input type="checkbox"/> Indoor | <input type="checkbox"/> Tight | <input type="checkbox"/> Smooth | <input type="checkbox"/> Hard Packed | <input type="checkbox"/> Blue Groove | <input type="checkbox"/> Wet | <input type="checkbox"/> Grass | <input type="checkbox"/> Low Bite | <input type="checkbox"/> High Bite |
| | <input type="checkbox"/> Outdoor | <input type="checkbox"/> Open | <input type="checkbox"/> Rough | <input type="checkbox"/> Loose/Loamy | <input type="checkbox"/> Dry | <input type="checkbox"/> Dusty | <input type="checkbox"/> Astro Turf | <input type="checkbox"/> Med Bite | <input type="checkbox"/> Other _____ |

FRONT SUSPENSION

Ride Height: _____

Camber: _____

Toe: _____

Forward Front Pill: 0 .5 1 △ ▽

Rearward Front Pill: 0 .5 1 In Out

Steering Ackerman: Long Short

Bump Steer: _____

Camber Link: _____

Sway Bar: _____

Shock Type: Bladder Emulsion Oil: _____

Piston: _____

Spring: _____

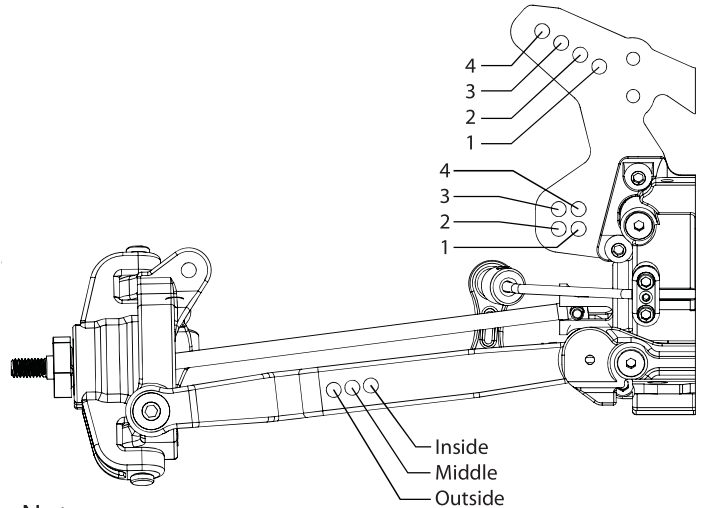
Shock Limiters: _____ Stroke: _____

Overall Shock Length: _____

Shock Location: _____

Front Diff Fluid: _____

Center Diff Fluid: _____



REAR SUSPENSION

Ride Height: _____

Camber: _____

Forward Rear Pill: 0 .5 1 △ ▽

Rearward Rear Pill: 0 .5 1 In Out

Camber Link: _____

Rear Hub Spacing: _____

Sway Bar: _____

Shock Type: Bladder Emulsion Oil: _____

Piston: _____

Spring: _____

Shock Limiters: _____ Stroke: _____

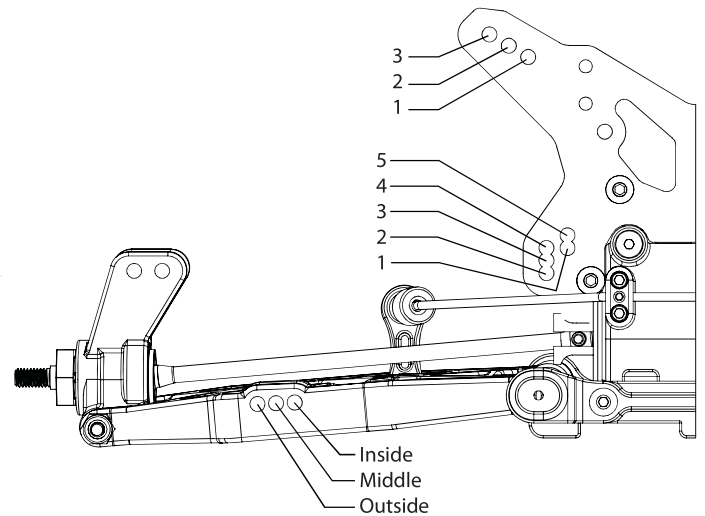
Overall Shock Length: _____

Shock Location: _____

Rear Diff Fluid: _____

Battery Position: _____

Notes: _____

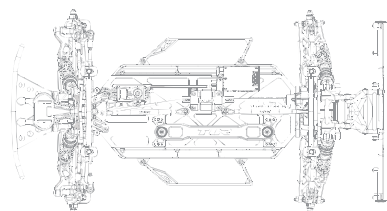


ELECTRONICS

| | |
|-------------------------|----------------------------|
| Radio: _____ | Timing Advance: _____ |
| Servo: _____ | Throttle/Brake Expo: _____ |
| ESC: _____ | Servo Expo: _____ |
| Initial Brake: _____ | Throttle/Brake EPA: _____ |
| Drag Brake: _____ | Motor: _____ |
| Throttle Profile: _____ | Pinion: _____ Spur: _____ |
| | Battery: _____ |

WEIGHT PLACEMENT

TIRES



| | Compound | Insert | Additive |
|--------------|----------|--------|----------|
| Front: _____ | _____ | _____ | _____ |
| Rear: _____ | _____ | _____ | _____ |
| Notes: _____ | | | |