



SETUP SHEET

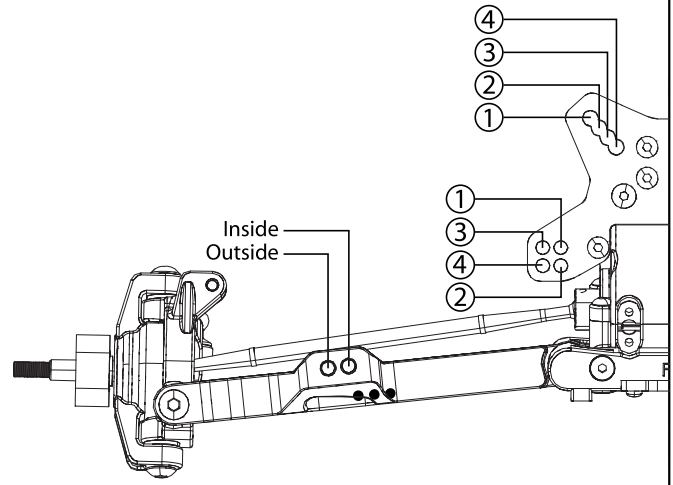


Name: _____ Date: _____ City: _____ Event: _____

Track Conditions: _____

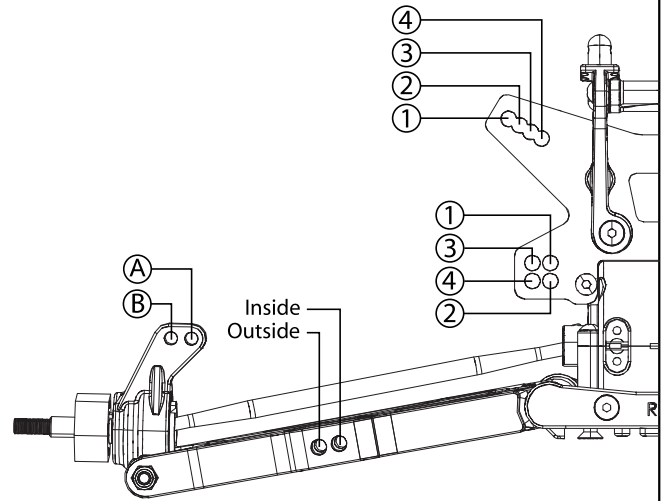
FRONT SUSPENSION

Toe: _____
 Ride Height: _____
 Caster: _____
 Piston/Oil: _____
 Camber Link: _____
 Shock Location: _____
 Notes: _____



REAR SUSPENSION

Toe: _____
 Ride Height: _____
 Rear Hub Spacing: _____
 Piston/Oil: _____
 Camber Link: _____
 Shock Location: _____
 Notes: _____



ELECTRONICS

Motor: _____ Battery: _____ Gearing: _____
 ESC: _____ Optimal Battery: _____

TIRES

Front: _____
 Rear: _____
 Notes: _____

NOTES