

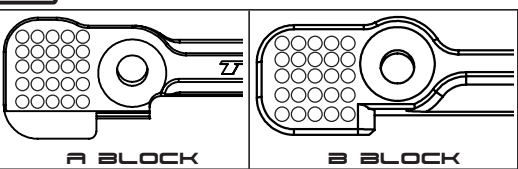
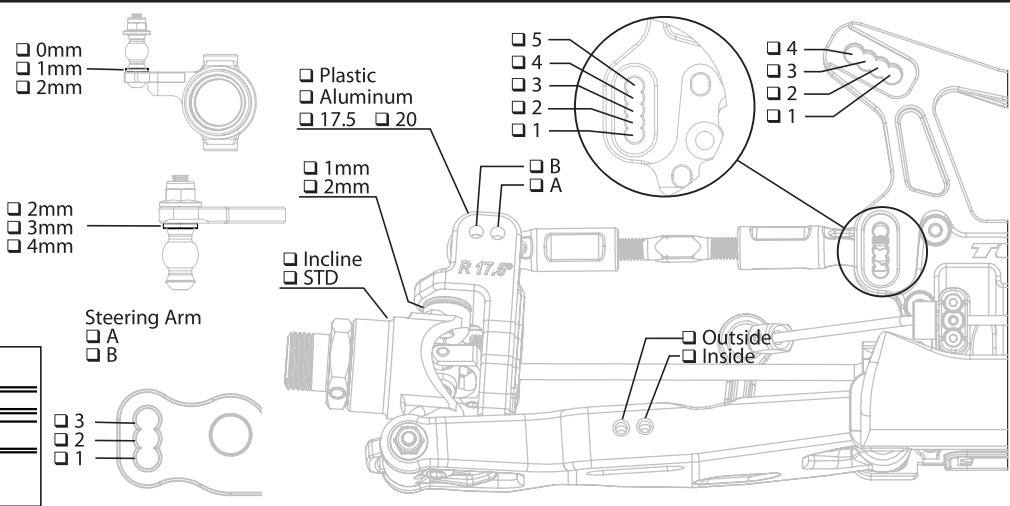
NAME: _____ DATE: _____ EVENT: _____ TRACK: _____

TRACK CONDITIONS

<input type="checkbox"/> Indoor	<input type="checkbox"/> Tight	<input type="checkbox"/> Smooth	<input type="checkbox"/> Hard Packed	<input type="checkbox"/> Blue Groove	<input type="checkbox"/> Wet	<input type="checkbox"/> Low Bite	<input type="checkbox"/> High Bite
<input type="checkbox"/> Outdoor	<input type="checkbox"/> Open	<input type="checkbox"/> Rough	<input type="checkbox"/> Loose/Loamy	<input type="checkbox"/> Dry	<input type="checkbox"/> Dusty	<input type="checkbox"/> Med Bite	<input type="checkbox"/> Other

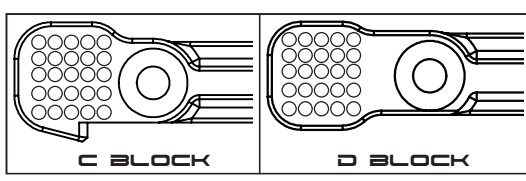
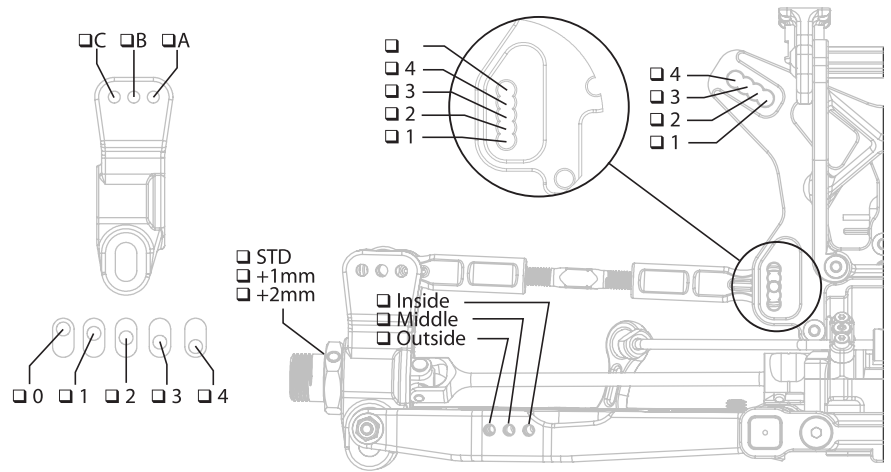
FRONT SUSPENSION

Ride Height	
Camber	
Toe	
Sway Bar	
NOTES	



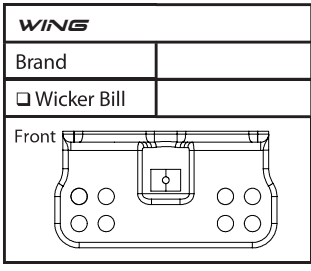
REAR SUSPENSION

Ride Height	
Camber	
Sway Bar	
NOTES	



CHASSIS

DIFFERENTIALS			
	Front	Center	Rear
Fluid			
Pins	<input type="checkbox"/> AL <input type="checkbox"/> STL	<input type="checkbox"/> AL <input type="checkbox"/> STL	<input type="checkbox"/> AL <input type="checkbox"/> STL
Case	<input type="checkbox"/> STD <input type="checkbox"/> HD	<input type="checkbox"/> STD <input type="checkbox"/> HD	<input type="checkbox"/> STD <input type="checkbox"/> HD



ELECTRONICS			
Radio		Servo	
ESC		Battery	
Motor		Pinion/Spur	
Initial Brake		Drag Brake	
Thro Prof		Timing Adv	
Thro Expo		Steering Expo	

SHOCKS		
	Front	Rear
Type	<input type="checkbox"/> Bladder <input type="checkbox"/> Re Bladder <input type="checkbox"/> Emulsion <input type="checkbox"/> Vented	<input type="checkbox"/> Bladder <input type="checkbox"/> Re Bladder <input type="checkbox"/> Emulsion <input type="checkbox"/> Vented
Shaft Dia	<input type="checkbox"/> 3.5 <input type="checkbox"/> 4.0	<input type="checkbox"/> 3.5 <input type="checkbox"/> 4.0
Piston		
Oil		
Spring		
Stroke		
Droop		

TIRES		
	Front	Rear
Brand		
Tread		
Compound		
Insert		
Sauce		

