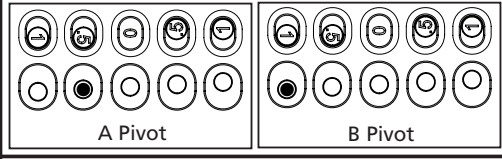
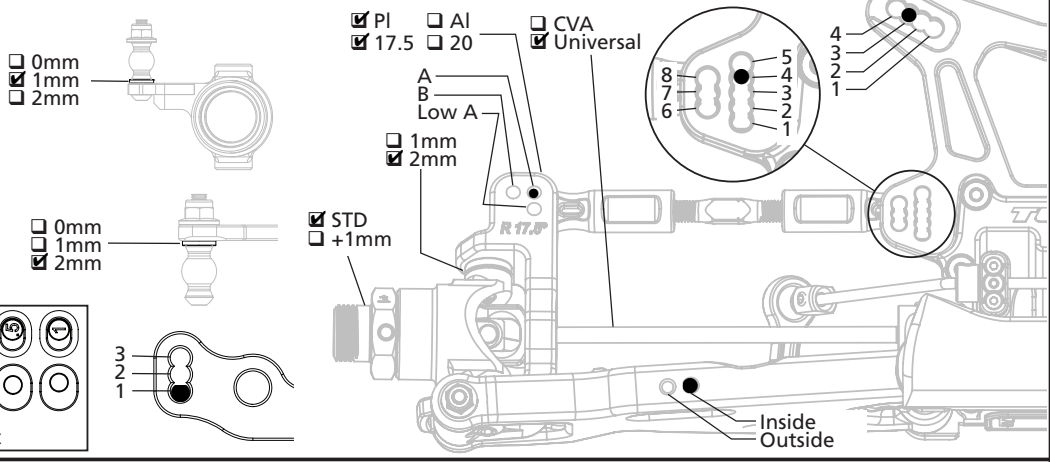


Name: Kyle Roberts	Date: 03/27/2022	Event: Club Race	Track: Lake Park (Tampa, FL)
--------------------	------------------	------------------	------------------------------

Track Conditions							
<input type="checkbox"/> Indoor	<input checked="" type="checkbox"/> Tight	<input type="checkbox"/> Smooth	<input type="checkbox"/> Hard Packed	<input type="checkbox"/> Blue Groove	<input checked="" type="checkbox"/> Wet	<input type="checkbox"/> Low Bite	<input type="checkbox"/> High Bite
<input checked="" type="checkbox"/> Outdoor	<input type="checkbox"/> Open	<input type="checkbox"/> Rough	<input checked="" type="checkbox"/> Loose/Loamy	<input type="checkbox"/> Dry	<input checked="" type="checkbox"/> Dusty	<input checked="" type="checkbox"/> Med Bite	<input type="checkbox"/> Other Tacky

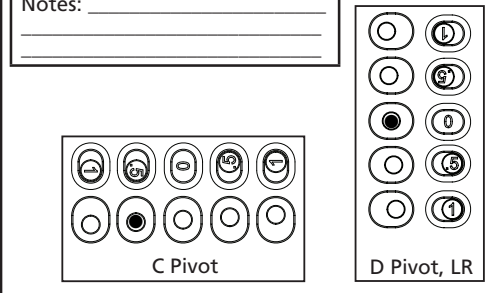
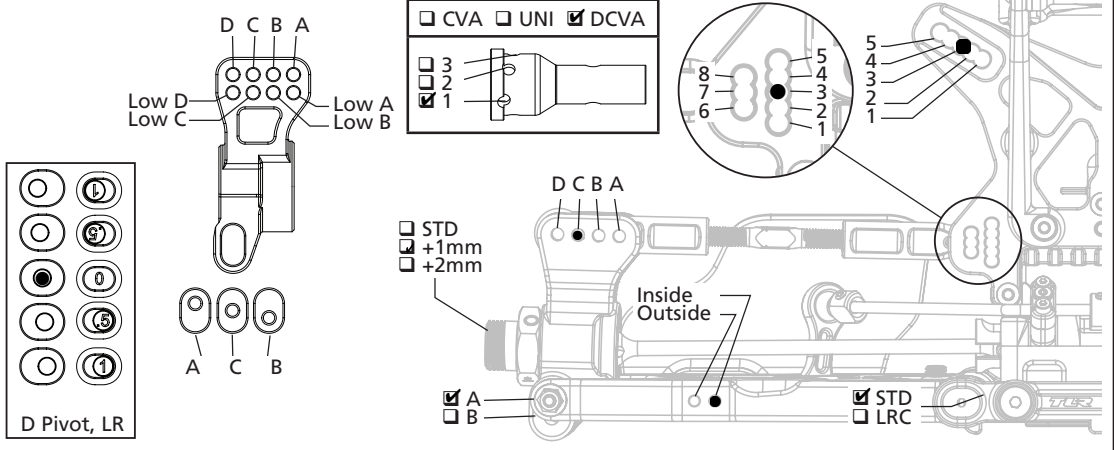
Front Suspension

Ride Ht	27mm
Camber	-2
Toe	Out 2
Sway Bar	2.3
Notes:	



Rear Suspension

Ride Ht	27mm
Camber	-2
Sway Bar	2.6
Notes:	



Chassis

Differentials				Wing		Electronics			
	Front	Center	Rear	Brand	TLR	Radio	SPM DX6R	Servo	
Fluid	7,000	7,000	4,000	<input checked="" type="checkbox"/> Riser	10mm	ESC	HW XR8	Battery	Trinity WC 6000
Pins	<input type="checkbox"/> AL <input checked="" type="checkbox"/> STL	<input type="checkbox"/> AL <input checked="" type="checkbox"/> STL	<input type="checkbox"/> AL <input checked="" type="checkbox"/> STL	<input checked="" type="checkbox"/> Wicker Bill	Large	Motor	HW 1900kv	Pinion/Spur	15/46
Case	<input checked="" type="checkbox"/> STD <input type="checkbox"/> HD	<input checked="" type="checkbox"/> STD <input type="checkbox"/> HD	<input checked="" type="checkbox"/> STD <input type="checkbox"/> HD	<input checked="" type="checkbox"/> FWD <input type="checkbox"/> Back		Initial Brake		Drag Brake	
						Thro Prof	Linear	Timing Adv	
						Thro Expo	N/A	Steering Expo	

Shocks		
	Front	Rear
Shock Type	<input type="checkbox"/> Bladder <input type="checkbox"/> Re Bladder <input checked="" type="checkbox"/> Emulsion <input type="checkbox"/> Vented	<input type="checkbox"/> Bladder <input type="checkbox"/> Re Bladder <input checked="" type="checkbox"/> Emulsion <input type="checkbox"/> Vented
Shaft Dia	<input type="checkbox"/> 3.5 <input checked="" type="checkbox"/> 4.0	<input type="checkbox"/> 3.5 <input checked="" type="checkbox"/> 4.0
Piston	5x1.5 Flat	5x1.5 Flat
Oil	37.5	35
Spring	TLR Violet	TLR Orange
Stroke		
Droop	100mm (stand-off to screw)	115mm (stand-off to screw)

Tires		
	Front	Rear
Brand	AKA	AKA
Tread	CityBlock	CityBlock
Compound	Orange	Orange
Insert	Punched Red AKA	Punched Red AKA
Sauce	N/A	N/A

