

Name: Kit Set-Up		Date: _____	
City: _____		Event: _____	
State: _____		Track: _____	
Track Conditions: <input type="checkbox"/> Indoor <input type="checkbox"/> Tight <input type="checkbox"/> Smooth <input type="checkbox"/> Hard Packed <input type="checkbox"/> Blue Groove <input type="checkbox"/> Wet <input type="checkbox"/> Low Bite <input type="checkbox"/> High Bite <input type="checkbox"/> Outdoor <input type="checkbox"/> Open <input type="checkbox"/> Rough <input type="checkbox"/> Loose/Loamy <input type="checkbox"/> Dry <input type="checkbox"/> Dusty <input type="checkbox"/> Med Bite <input type="checkbox"/> Other _____			

Front Suspension

Toe: -1 _____

Ride Height: 27mm _____

Camber: -2.5 _____

Caster Block: 17.5 20

Spindle Height: High Low

Wheel Hex: STD _____

Sway Bar: 2.3 _____

Piston/Oil: 5x1.4/40 _____

Shock Type: Bladder Emulsion Vented

Spring: Grey EVO _____

Pills: A 0 _____ B 0 _____

Overall Shock Length: 106.5mm _____

Drag Link/Ackerman: 2 _____

Bump Spindle: 1mm _____ Link: 2mm _____

Camber Link: 2/A _____

Shock Location: 3/Inside _____

Weight: _____

Differentials

Front: Standard Smart

Spring Wire Dia. _____

Qty of Springs: _____

Ramp Plate: _____

Grease: _____

Diff Fluid: 10k _____

Center: Standard Smart

Spring Wire Dia.: _____

Qty of Springs: _____

Ramp Plate: _____

Grease: _____

Diff Fluid: 10k _____

Drive Shaft

Front: CVA UNI

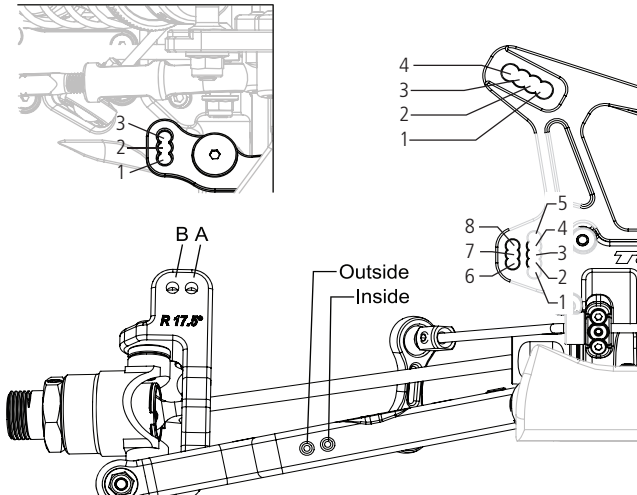
Rear: CVA UNI

Arm Inserts

Front: None Plastic Carbon

Rear: None Plastic Carbon

Ackerman



Notes: _____

Rear Suspension

Shocks: FWD Back Shock Shaft: 3.5 4.0

Toe/D Pill: 0 _____

Anti-Squat/C Pill: 0 _____

Ride Height: 27mm _____

Camber: -1.5 _____

Rear Hub Spacing: 2 Front/1 Back

Hub Height: A B Other

Wheel Hex: STD _____

Sway Bar: 2.7 _____

Piston/Oil: 5x1.5/37 _____

Shock Type: Bladder Emulsion Vented

Spring: Yellow EVO _____

Stroke: _____

Overall Shock Length: 119mm _____

Camber Link: 3/C _____

Shock Position: 3/Inside _____

Rear Diff Fluid: 4k _____

Weight: _____

Tires	Front	Rear
Tire:	_____	_____
Compound:	_____	_____
Insert:	_____	_____
Additive:	_____	_____

Electronics

Radio: _____

Servo: _____

ESC: _____

Initial Brake: _____

Drag Brake: _____

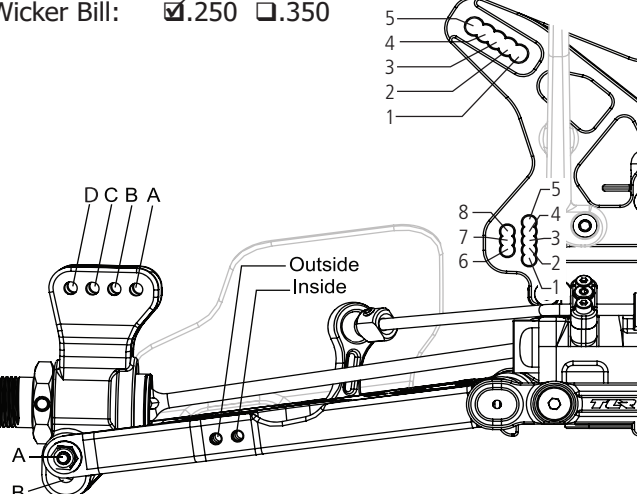
Throttle Profile: _____

Timing Advance: _____

Wing Setup

Wing Type: IFMAR _____

Wicker Bill: .250 .350



Notes: _____

Throttle/Brake Expo: _____

Throttle/Brake EPA: _____

Servo Expo: _____

Motor: _____

Pinion: _____

Spur: _____

Battery: _____